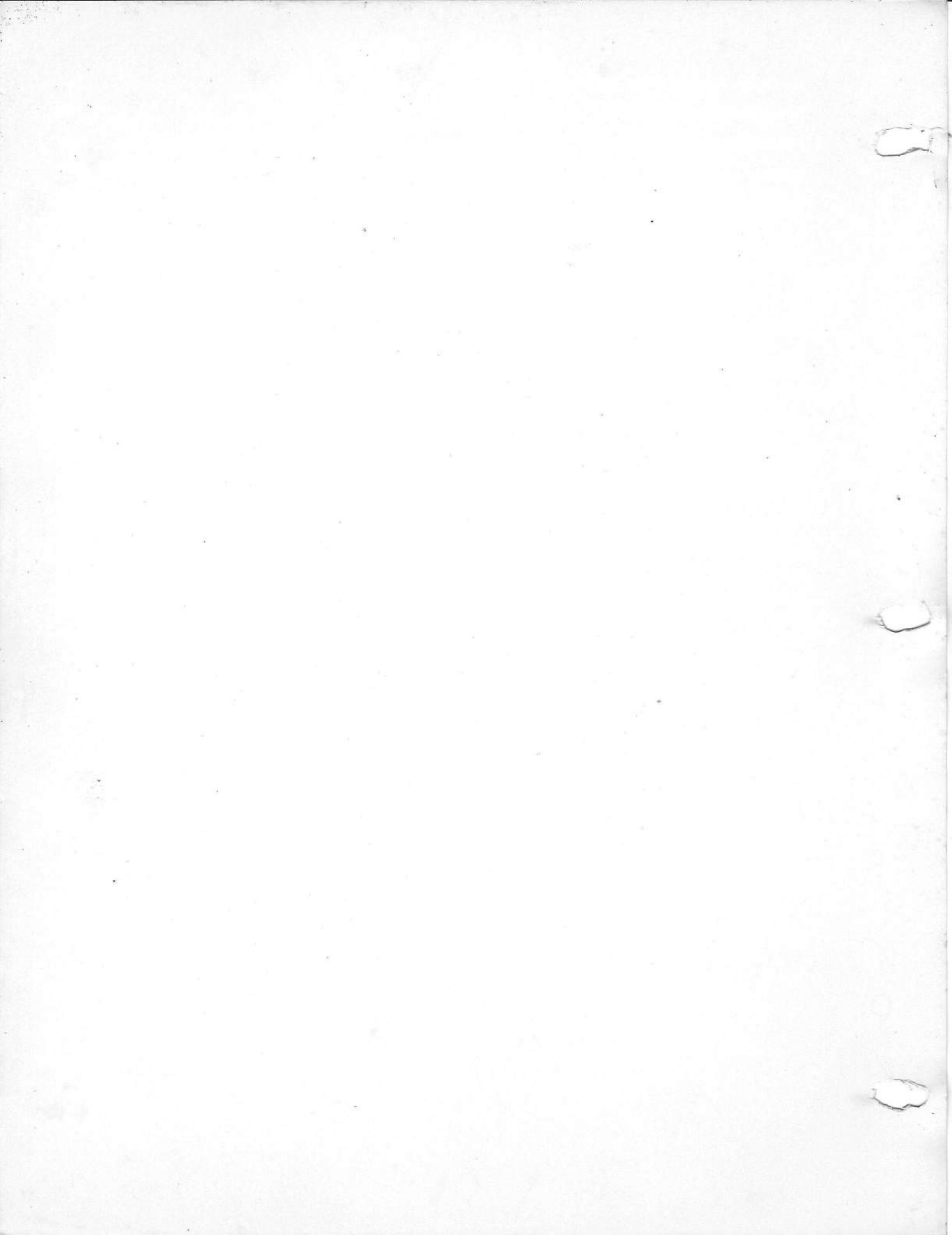
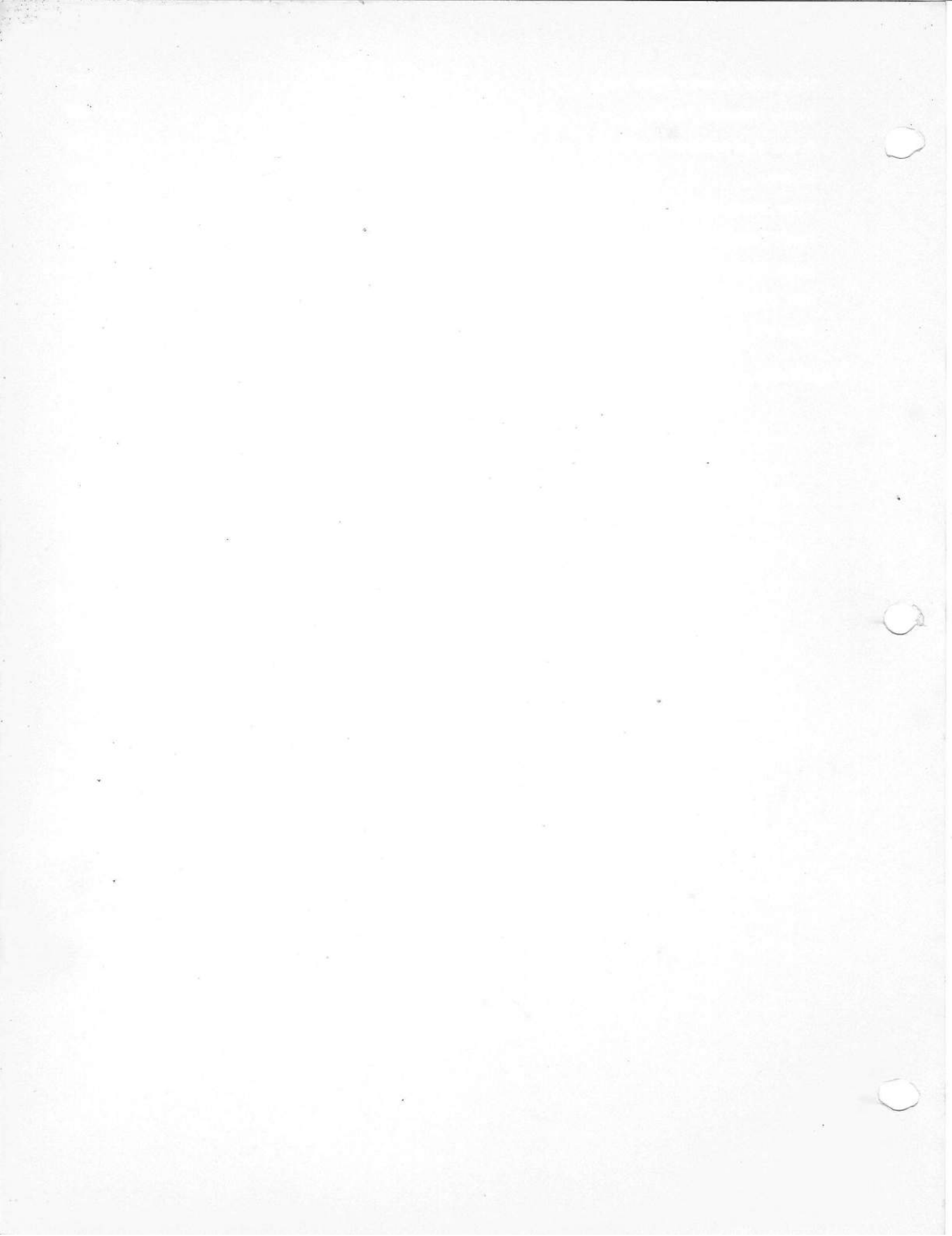


Hydraulic Adaptor Plate Ass'y .....	164
Swing Drawbar Ass'y .....	165
Power Assisted Steering Piping .....	167
Booster .....	169
Flow Divider Valve .....	171
Draft Control .....	173
Draft Control Valve Unit .....	175
Mid. P.T.O. ....	177
Rear P.T.O. ....	181
Sub Control Valve .....	183
Wide Tread .....	185
Double Tire .....	187
Variable Mainjet .....	188
Wide Turf Tire .....	189



Hydraulic Adaptor Plate Ass'y .....	164
Swing Drawbar Ass'y .....	165
Power Assisted Steering Piping .....	167
Booster .....	169
Flow Divider Valve .....	171
Draft Control .....	173
Draft Control Valve Unit .....	175
Mid. P.T.O. ....	177
Rear P.T.O. ....	181

## NUMERICAL INDEX



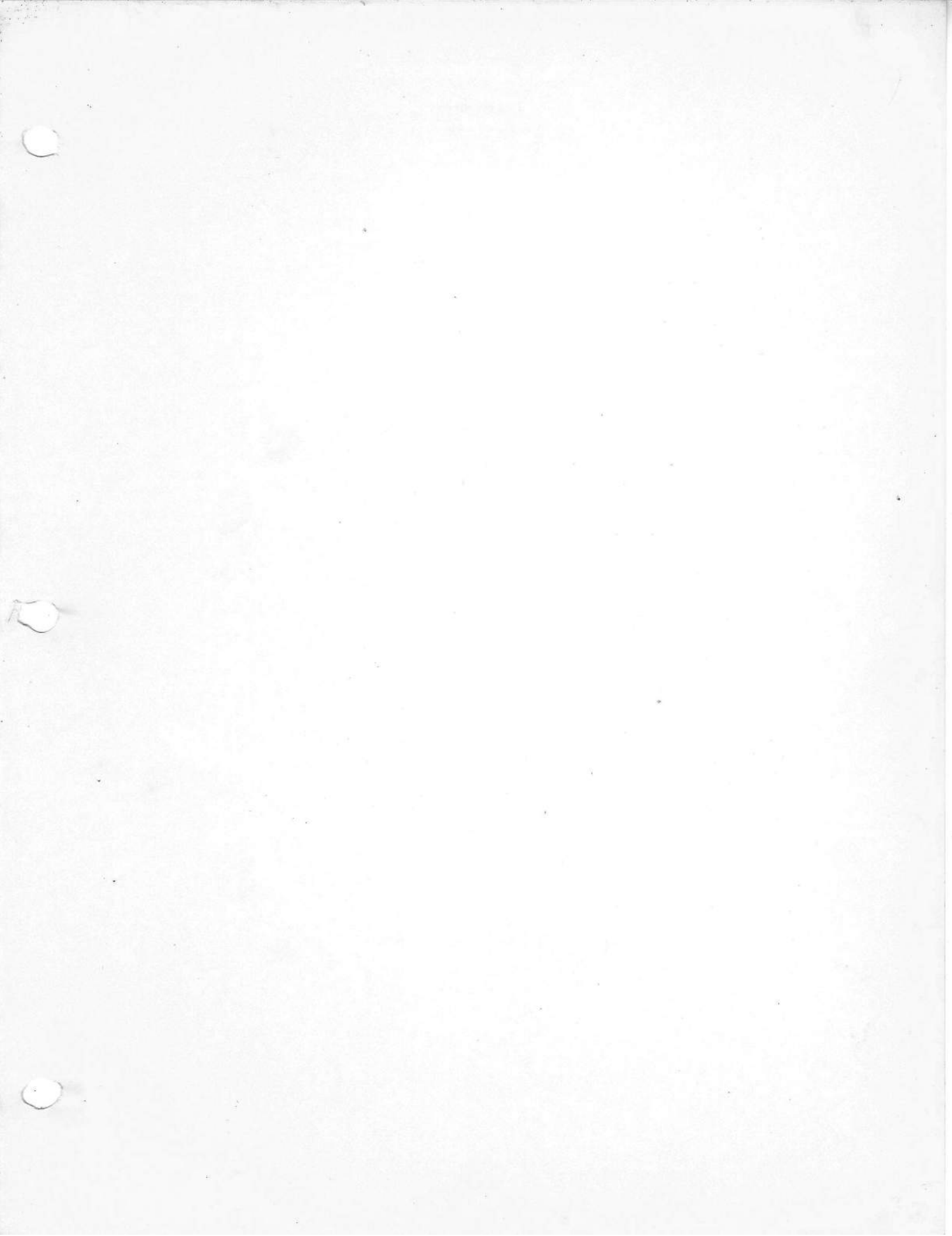
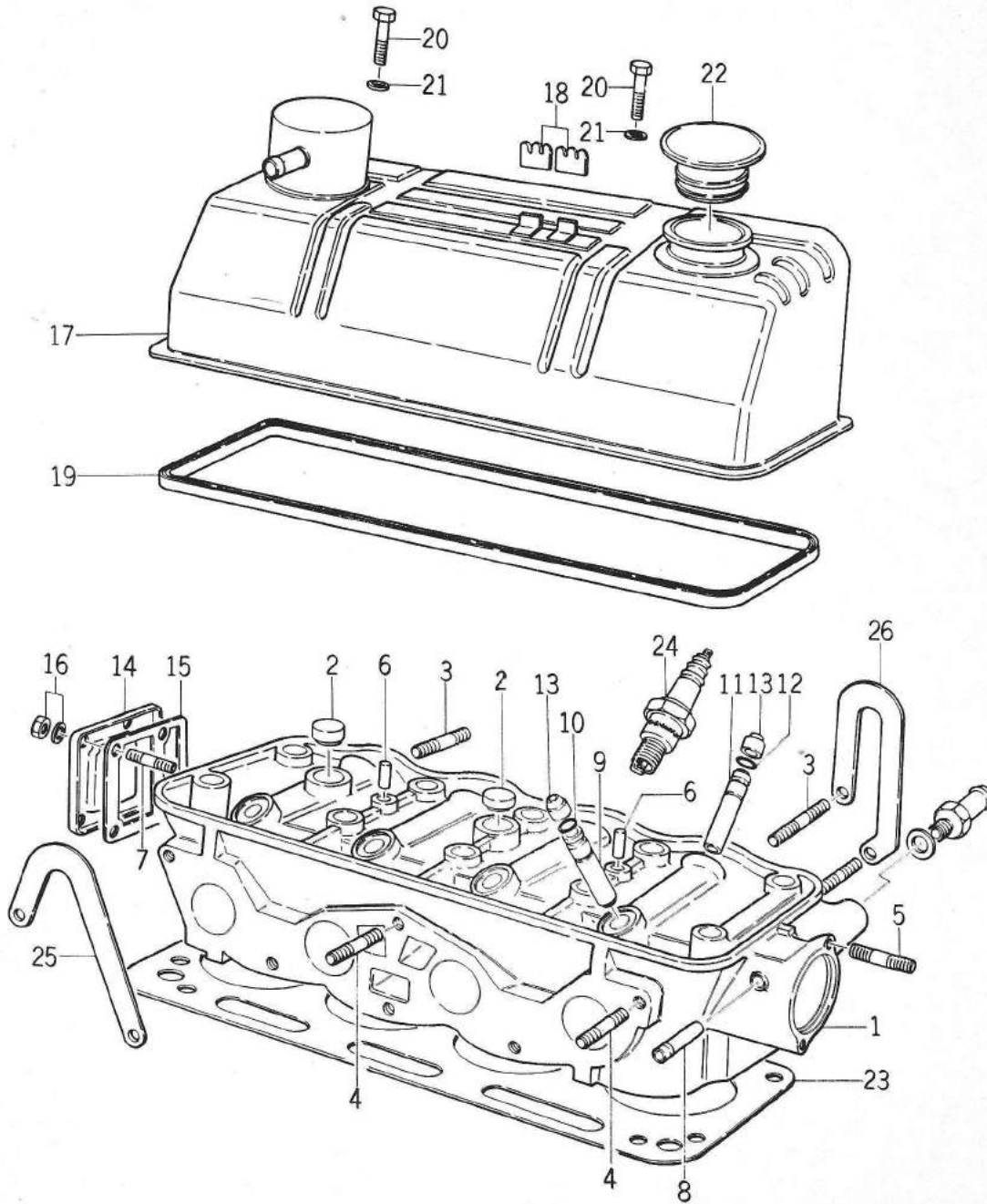


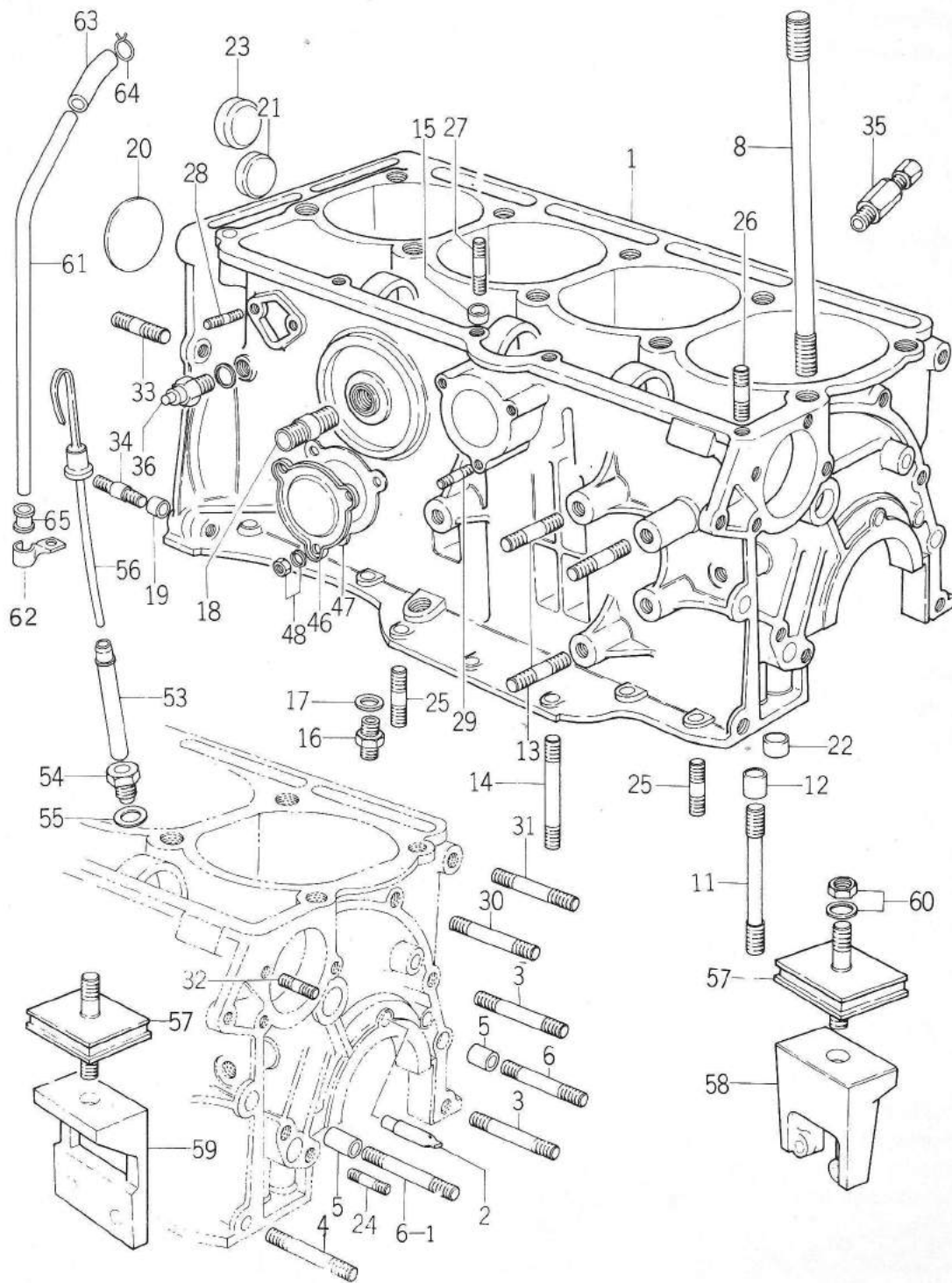
Fig. 1 CYLINDER HEAD



## CYLINDER HEAD

Ref. No.	Part No.	Description	Q'ty	Size	Remarks
1	0100270	cylinder head ass'y	1		
2	0100660	. blind plug	2		
3	0990540	. stud, exhaust manifold	8	M8 ℓ = 22	
4	0990560	. stud, inlet manifold	6	M8 ℓ = 25	
5	0990580	. stud, thermostat casting	2	M6 ℓ = 22	
6	0990450	. knock pin	2	6φ ℓ = 16	
7	0990570	. stud, blind cover	4	M6 ℓ = 10	
8	0100670	pipe	1	ℓ = 26	
	0100680	valve guide ass'y (inlet)	4		T. S. No. 000101 onward
9	0100680	valve guide ass'y (inlet)	4		2nd cat. Ref. No. replaced to "nil"
9	0100690	valve guide (inlet)	4		T. S. No. 000101 onward (not saleable)
	0100690	valve guide (inlet)	4		2nd cat. Ref. No. replaced to "g"
10	0100700	clip	4		(not saleable)
	0231140	valve guide ass'y (ex)	4		T. S. No. 000101 onward
11	0231140	valve guide ass'y (ex)	4		2nd cat. Ref. No. replaced to "nil"
11	0100720	valve guide (exhaust)	4		T. S. No. 000101 onward (not saleable)
11	0100720	valve guide (exhaust)	4		2nd cat. Ref. No. replaced to "11"
12	0100700	clip	4		(not saleable)
13	0120360	valve seal	8		
14	0100080	blind cover	1		
15	0100090	packing	1		
16	0990140	nut	4	M6	
	0990230	spring washer	4	M6	
17	0100280	rocker arm cover	1		T. S. No. 000101 onward
17	0100280	rocker arm cover ass'y	1		1st, 2nd cat. removed "ass'y"
18	0100710	high tension cord protector	2		
19	0100100	rocker arm cover packing	1		
20	0990350	bolt, rocker arm cover	2	M8 ℓ = 38	
21	0100010	sealing washer, bolt	2		
22	0100070	oil filler cap	1		
23	0100110	gasket, cylinder head	1		
24	0180570	spark plug (NGK mark)	4		T. S. No. 000101 onward
24	0100020	spark plug (denso mark)	4	Selective use	2nd cat. removed "DENSO" mark
	0180570	spark plug (NGK mark)	4		
24	0100020	spark plug (NGK mark)	4		1st cat. Part No. replaced to 0180570
25	0100230	engine hanger (A)	1		
26	0100240	engine hanger (B)	1		

Fig. 2 CYLINDER BLOCK





## CYLINDER BLOCK

Ref. No.	Part No.	Description	Q'ty	Size	Remarks
1	0100330	cylinder block ass'y	1		Saleable with TOP DECK ASS'Y (INCLUDED FG 2-1 and MAIN BEARING metals)
2	0100340	oil jet	1	ℓ = 29	
3	0100630	. stud, chain cover	3	M8 P1.25 ℓ=64	T. S. No. 000101 onward
3	0100630	. stud, chain cover	3	M8 P1.25 ℓ=62	1st & 2nd cat. Length replaced to ℓ = 64
4	0100640	. stud, chain cover	1	M8 P1.25 ℓ=76	T. S. No. 000101 onward
4	0100640	. stud, chain cover	1	M8 P1.25 ℓ=52	1st & 2nd cat. Length replaced to ℓ = 76
5	0990800	. tubular pin, end plate	2	12φ ℓ = 16	
6	0100650	. stud, chain cover	1	M8 P1.25 ℓ=72	
6-1	0100730	. stud, chain cover	1	M8 P1.25 ℓ=84	T. S. No. 000101 onward Add to 1st cat.
8	0100360	. stud, cylinder head	10	M11 P1.5 ℓ=221	
11	0100390	. stud, bearing cap	10	M11 P1.5 ℓ=101	
12	0990810	. tubular pin main bearing cap	10	14φ ℓ=12	
13	0990680	. stud, engine mounting	6	M10 ℓ=22	
14	0990640	. stud, oil pump	2	M6 ℓ=65	
15	0990840	. tubular pin, oil pump	2	9φ ℓ=10	T. S. No. 000101 onward
15	0990840	. tubular pin	2	9φ ℓ=10	1st cat. Description added "oil pump"
16	0100400	. oil pump pipe nipple	1	ℓ = 29	
17	0990470	. packing	1		
18	0100410	. oil filter center pipe	1		
19	0100050	. tubular pin	2		
20	0990740	expansion plug	1	15φ ℓ=20	
21	0990750	. blind plug	2	18φ	
22	0990820	blind plug	2	8φ	
23	0990760	blind plug	1	30φ	
24	0990630	stud, chain adjuster	2	M6 ℓ= 32	
25	0990590	stud, oil pan	17	M6 ℓ=12	
26	0990600	stud, cylinder block top deck	3	M6 ℓ=20	
27	0990620	stud, cylinder block top deck & oil pump gear cover	2	M6 ℓ=30	
28	0990610	. stud, fuel pump	2	M6 ℓ=25	
29	0990590	. stud, blind cover	3	M6 ℓ=12	
30	0990670	stud, chain cover	2	M8 ℓ=40	
31	0990660	. stud, water pump	1	M8 ℓ=35	
32	0990650	stud, front plate, camshaft thrust plate	4	M8 ℓ=12	
33	0100430	. stud bolt	4	M10 P1.25 ℓ=111	
34	0100440	. stud bolt	2	M10 P1.25 ℓ=121	
35	0100030	. water drain cock ass'y	1		
36	0180290	. oil pressure switch	1		

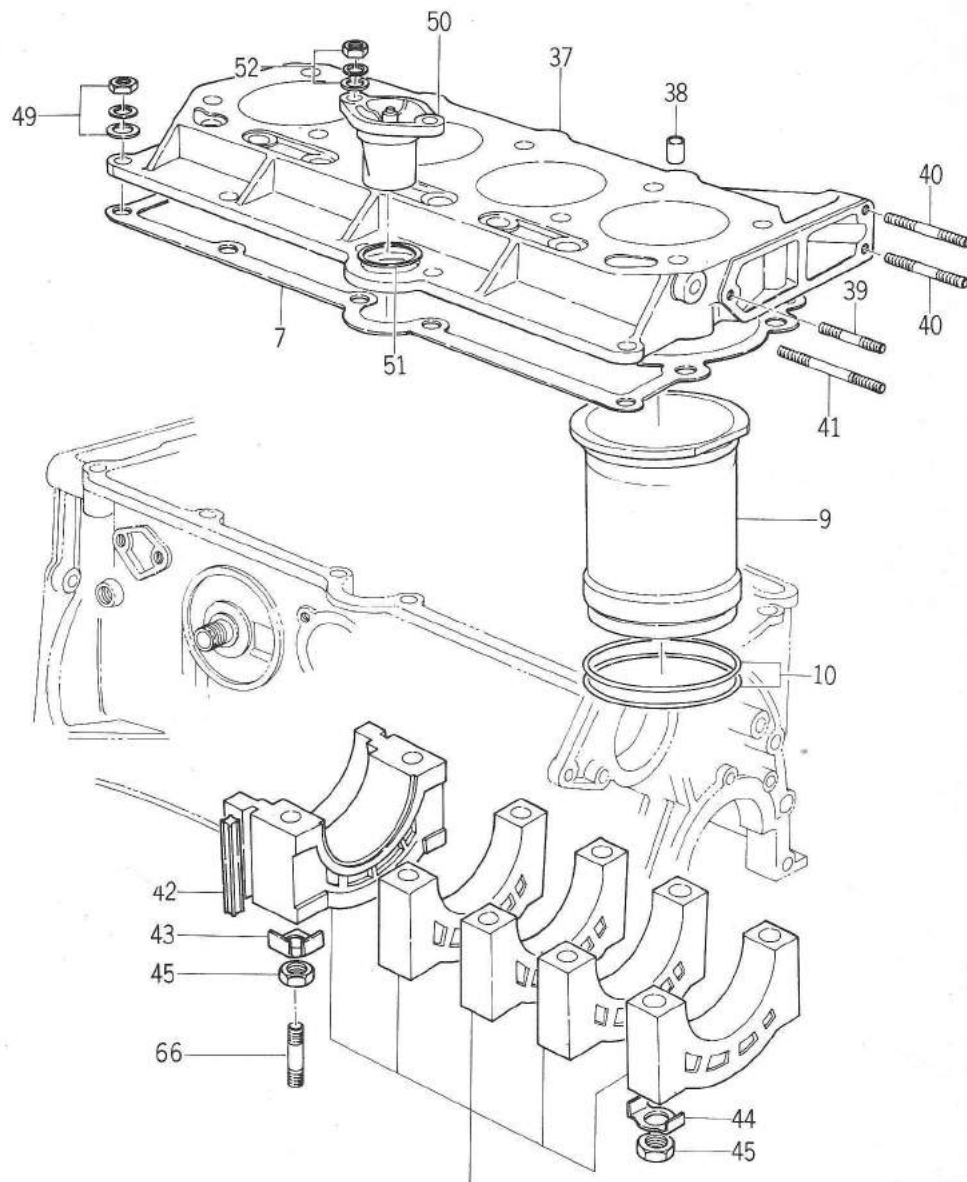
## CYLINDER BLOCK

Ref. No.	Part No.	Description	Q'ty	Size	Remarks
46	0100120	blind cover	1		
47	0100130	packing	1		
48	0990140	nut, blind cover	3	M6	
	0990230	spring washer	3	M6	
53	0100500	guide pipe	1		
54	0100210	nut	1		
55	0100290	guide pipe ring	1		
56	0100510	oil level gauge	1		
57	0100580	engine mounting rubber	2		
58	0100590	engine support (R)	1		} T. S. No. 200000 inward 1st cat. Description replaced to "SUPPORT"
59	0100600	engine support (L)	1		
59	0100600	engine mount (L)	1		
60	0990160	nut	4	M12	} T. S. No. 200000 inward
	0990270	spring washer	4	M12	
61	0100300	breather pipe	1		
62	0100310	clip	1		
63	0100320	connection hose	1		
64	0990500	wire clip	2	inner dia 18φ	
65	0990790	protector	1	inner dia 12.5φ	

SERVICE MEMO

[A large area of the page is filled with horizontal dotted lines for writing.]

Fig. 3 CYLINDER BLOCK

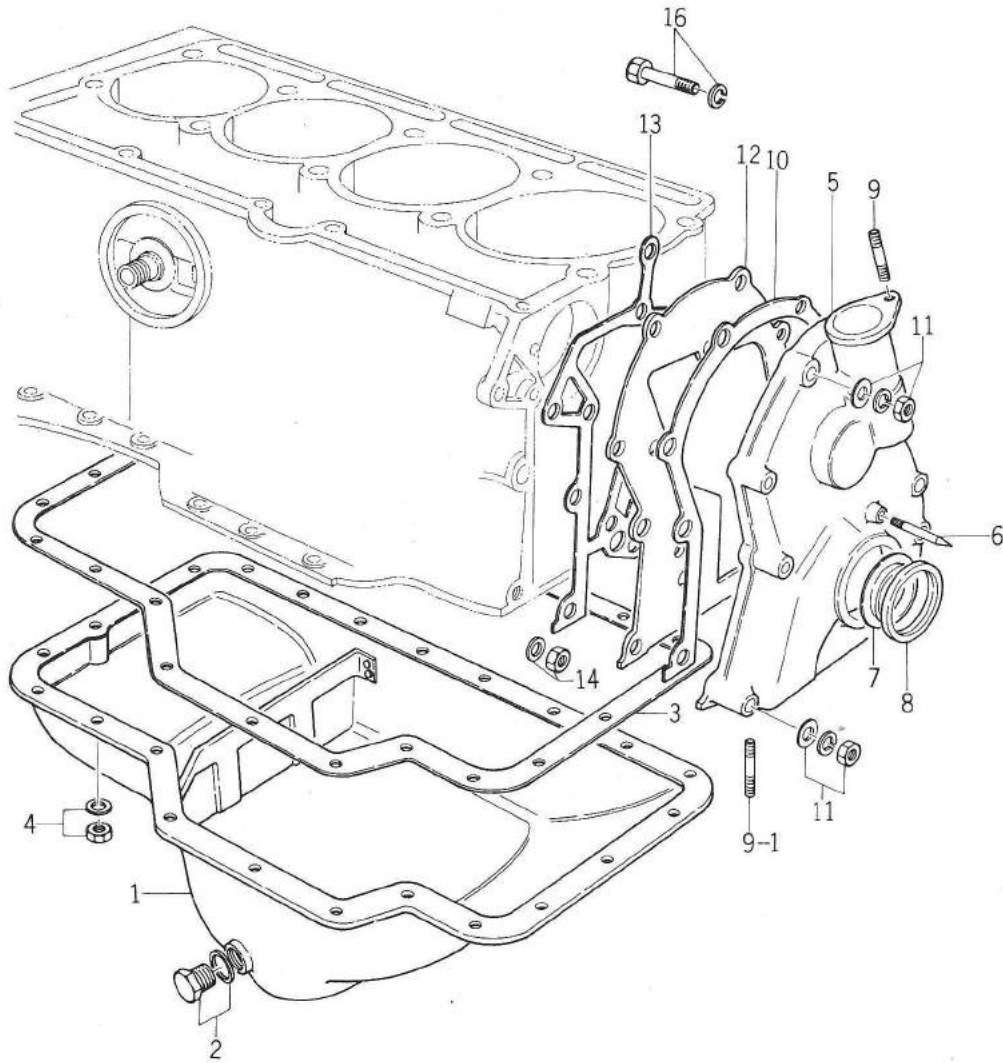


Included Fig. 2-1

## CYLINDER BLOCK

Ref. No.	Part No.	Description	Q'ty	Size	Remarks
7	0100350	. packing, top deck	1		
9	0100370	. cylinder liner	4		
10	0100380	. O-ring, cylinder liner	8		T. S. No. 000101 onward
10	0100380	. O-ring, cylinder liber	8		1st cat. "liber" misprinted
37	0100450	. top deck ass'y	1		Not Saleable (Saleable with Cylinder Block ass'y 0100330)
38	0990830	. tubular pin	2		
39	0990660	. stud, water pump	1	M8 ℓ = 35	
40	0990690	. stud, water pump	2	M8 ℓ = 45	T. S. No. 0100450
40	0990670	. stud, water pump	2	M8 ℓ = 40	1st, 2nd cat. Part No. replaced to 0990690 & length replaced to ℓ = 45
41	0990700	. stud, chain cover	1	M8 ℓ = 65	
42	0100170	side seal	2	ℓ = 49	
43	0100150	lock washer	8	M11	
44	0100160	lock washer	2	M11	
45	0100140	lock nut	10	M11 P1.5	
49	0990140	nut, top desk	3	M6	1st & 2nd cat. Q'ty replaced to 3 1st & 2nd cat. Q'ty replaced to 3 1st & 2nd cat. Q'ty replaced to 3
	0990140	nut, top desk	2		
	0990230	spring washer	3	M6	
	0990230	spring washer	2		
	0990220	plain washer	3	M6	
	0990220	plain washer	2		
50	0100180	drive gear cover, oil pump	1		
51	0100190	O-ring	1		
52	0990140	nut, driven gear cover	2	M6	
	0990230	spring washer	2	M6	
	0990220	plain washer	2	M6	
66	0990710	stud, main bearing cap	2	M6 ℓ = 12	

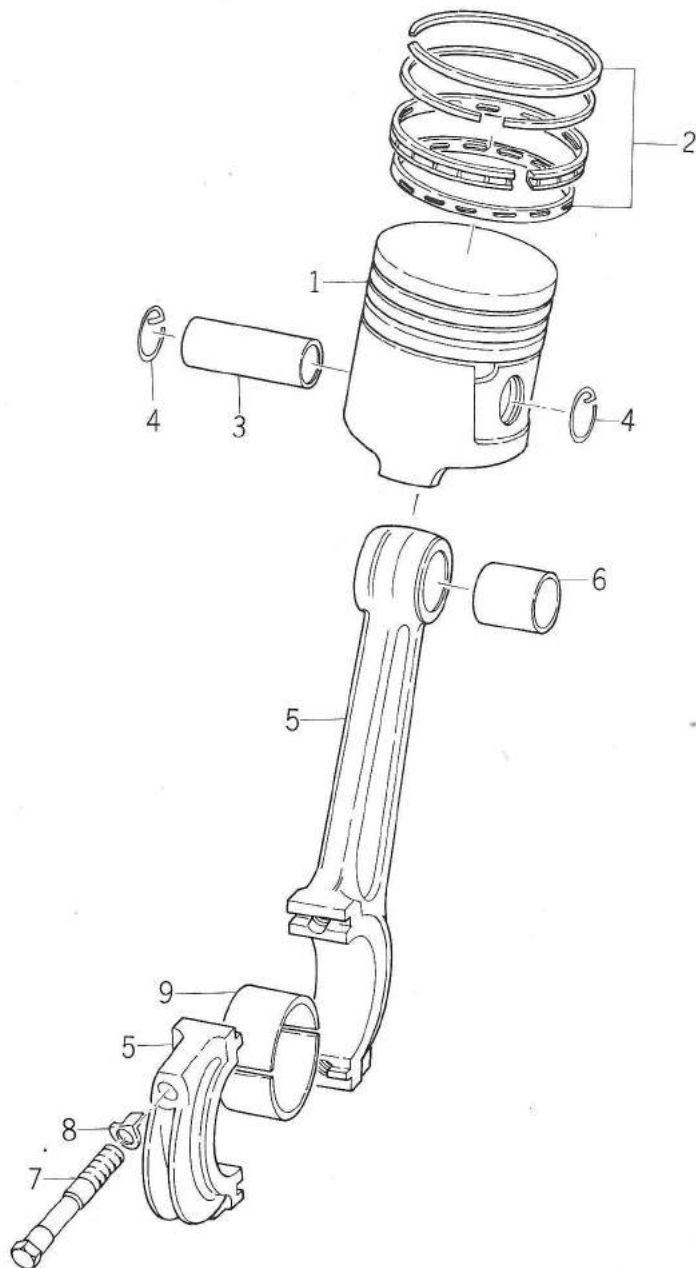
Fig. 4 CHAIN COVER, OIL PAN



### CHAIN COVER , OIL PAN

Ref. No.	Part No.	Description	Q'ty	Size	Remarks
1	0100470	oil pan ass'y	1		
2	0990850	. plug, oil pan	1		} 0100470
	0990480	. packing	1		
3	0100200	packing	1		
4	0990140	nut, oil pan	21	M6	
	0990230	spring washer	21	M6	
	0100520	chain cover ass'y	1		
5	0100530	. chain cover	1		not saleable
6	0100550	. pin, top indicator	1	4φ ℓ = 29	
7	0100540	. oil deflector	1		} 0100520
8	0100040	. oil seal	1		
9	0990710	stud distributor	1	M6 ℓ = 12	
9-1	0990710	. stud, oil pan, chain case	3	M6 ℓ = 12	T. S. No. 000101 onward
	0990710	. stud, oil pan	3	M6 ℓ = 12	1st & 2nd cat. Description replaced to chain case
10	0100220	packing	1		
11	0990150	nut chain cover	7	M8	T. S. No. 000101 onward
11	0990120	nut chain cover	9	M8	1st, 2nd cat. Part No. & Q'ty replaced to 0990150 & 7 pcs.
	0990250	spring washer	7	M8	T. S. No. 000101 onward
	0990250	spring washer	9	M8	1st, 2nd cat. Q'ty replaced to 7 pcs.
	0990240	plain washer	7	M8	T. S. No. 000101 onward
	0990240	plain washer	9	M8	1st, 2nd cat. Q'ty replaced to 7 pcs.
12	0100250	end plate, front	1		
13	0100260	packing, end plate	1		
14	0990150	nut, end plate	2	M8	
	0990250	spring washer	2	M8	
16	0100570	spacer	1		T. S. No. 000101 onward 1st cat Deleted
15	0100560	spacer	2	out dia. 18φ ℓ = 24	T. S. No. 000101 onward 1st cat Deleted
15	0100570	spacer	3	out dia. 18φ ℓ = 10	T. S. No. 000101 onward 2nd cat. Deleted
16	0990360	bolt, chain cover	1	M8 ℓ = 65	
	0990250	spring washer	1	M8	

Fig. 5 PISTON

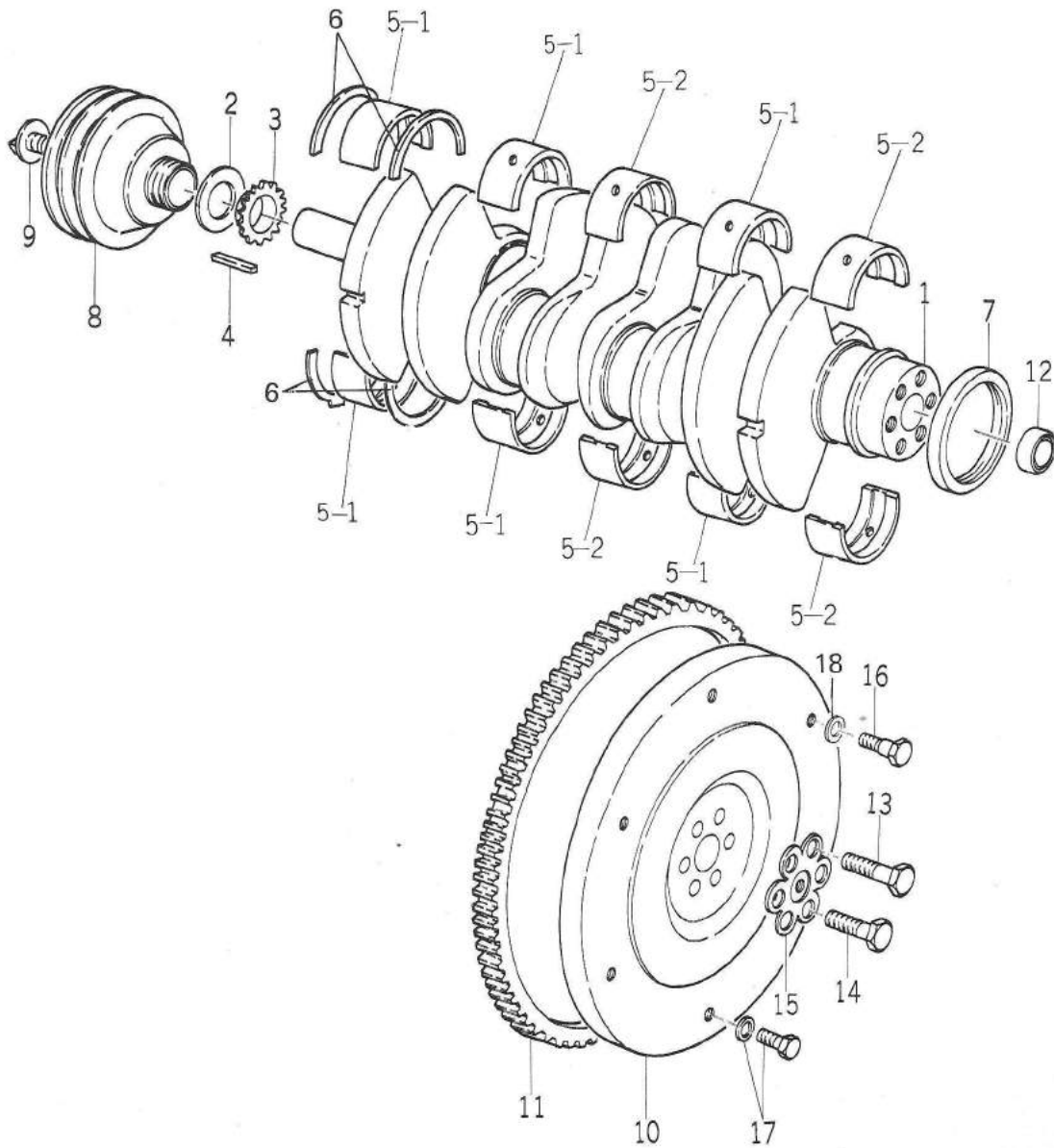




## PISTON

Ref. No.	Part No.	Description	Q'ty	Size	Remarks
1	0110040	piston	4		
2	0230020	piston ring set	1s		
3	0110090	piston pin	4		
4	0110020	clip	8		
5	011010A	connecting rod ass'y	4		T. S. No. 000101 onward 1st, 2nd cat. Part No. replaced to 011010A
5	0110100	connecting rod ass'y	4		
6	0110360	. bush, small end	4		T. S. No. 000101 onward 2nd cat. Q'ty replaced to "8"
7	0110370	. cap bolt	8	} 011010A	
8	0110380	lock washer	8		
8	0110380	lock washer	2		
9	0110110	connecting rod bearing metal (STD)	8		T. S. No. 000101 onward
9	0110110	connecting rod bearing metal set (STD)	8		2nd cat. removed "set"
9	0110110	connecting rod bearing metal	8		1st cat. added "STD"
	0230240	connecting rod bearing metal set (STD)	1s		1st cat. Deleted
	0230250	connecting rod bearing metal (US 0.25)	8		T. S. No. 000101 onward
	0230250	connecting rod bearing metal set (US 0.50)	1s		1st cat. Q'ty replaced to "8", removed "set"
	0230260	connecting rod bearing metal (US 0.50)	8		T. S. No. 000101 onward
	0230260	connecting rod bearing metal set (US 0.50)	1s		1st cat. Q'ty replaced to "8", removed "set"
	0230270	connecting rod bearing metal (US 0.75)	8		T. S. No. 000101 onward
	0230270	connecting rod bearing metal set (US 0.75)	1s		1st cat. Q'ty replaced to "8", removed "set"

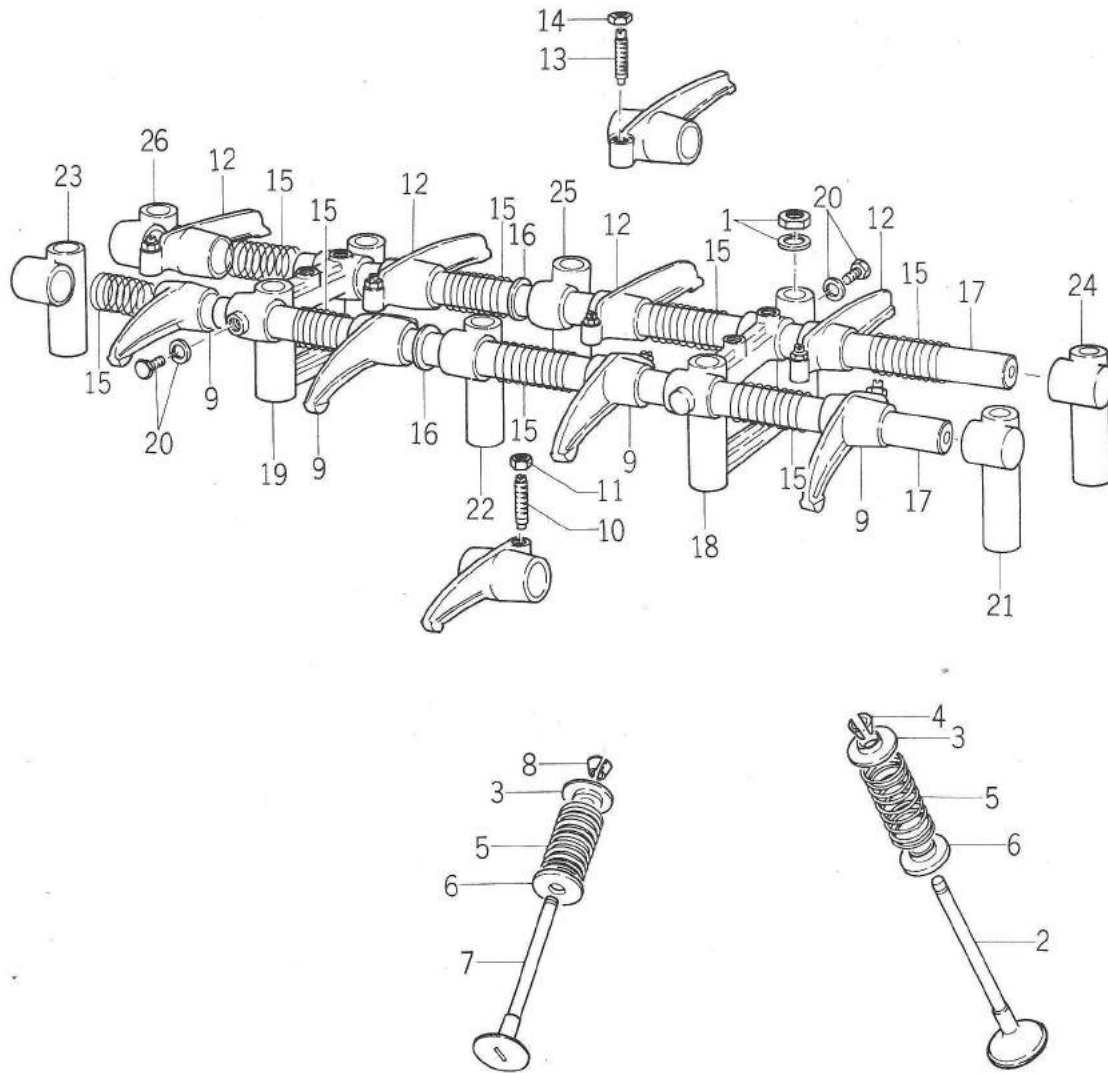
Fig. 6 CRANKSHAFT



## CRANKSHAFT

Ref. No.	Part No.	Description	Q'ty	Size	Remarks
1	0110120	crankshaft	1		
2	0110130	baffle plate	1		
3	0110140	timing sprocket wheel	1		
4	0110150	key, timing sprocket wheel	1		
5	0230030	main bearing metal set (STD)	1s		1st cat. Deleted
5-1	0110160	main bearing metal set	1set = 2pcs. Yellow		T. S. No. 000101 onward T. S. No. 000101 onward T. S. No. 000101 onward T. S. No. 000101 onward STD (Selective use for 3 sets) Refer to TSB0009 Engine T. S. No. 000101 onward
	0110170	main bearing metal set	1set = 2pcs. Green		
	0110180	main bearing metal set	1set = 2pcs. Brown		
	0110190	main bearing metal set	1set = 2pcs. Black		
	0110200	main bearing metal set	1set = 2pcs. Blue		
5-2	0110210	main bearing metal set	1set = 2pcs. Yellow		T. S. No. 000101 onward T. S. No. 000101 onward T. S. No. 000101 onward STD (Selective use for 2 sets for center & Rear bearing) Refer to TSB0009 Engine T. S. No. 000101 onward
	0110220	main bearing metal set	1set = 2pcs. Green		
	0110230	main bearing metal set	1set = 2pcs. Brown		
	0110240	main bearing metal set	1set = 2pcs. Black		
	0110250	main bearing metal set	1set = 2pcs. Blue		T. S. No. 000101 onward
5-3	0230040	main bearing metal set (U. S. 0.25)	1set = 10 pcs.		
	0230050	main bearing metal set (U. S. 0.50)	1set = 10 pcs.		
	0230060	main bearing metal set (U. S. 0.75)	1set = 10 pcs.		
6	0230070	thrust washer set (STD)	1 set		
	0230080	thrust washer set (U. S. 0.25)	1 set		
	0230090	thrust washer set (U. S. 0.50)	1 set		
	0230100	thrust washer set (U. S. 0.75)	1 set		
7	0110280	oil seal	1		
8	0110320	dynamo drive pulley	1		
9	0110010	lock bolt, dynamo drive pulley	1		
10	0110330	clutch wheel ass'y	1		
11	0110340	. ring gear	1		} 0110330
12	0990440	. ball bearing	1	2202	
13	0110030	bolt, clutch wheel ass'y	5		
14	0110290	reamer bolt	1		
15	0110300	lock washer	1		
16	0160010	reamer bolt	2	M8 x 22	
17	0990060	set bolt	4	M8 x 20	
	0990250	spring washer	4	M8	
18	3601102	spring washer	2	W3/8	

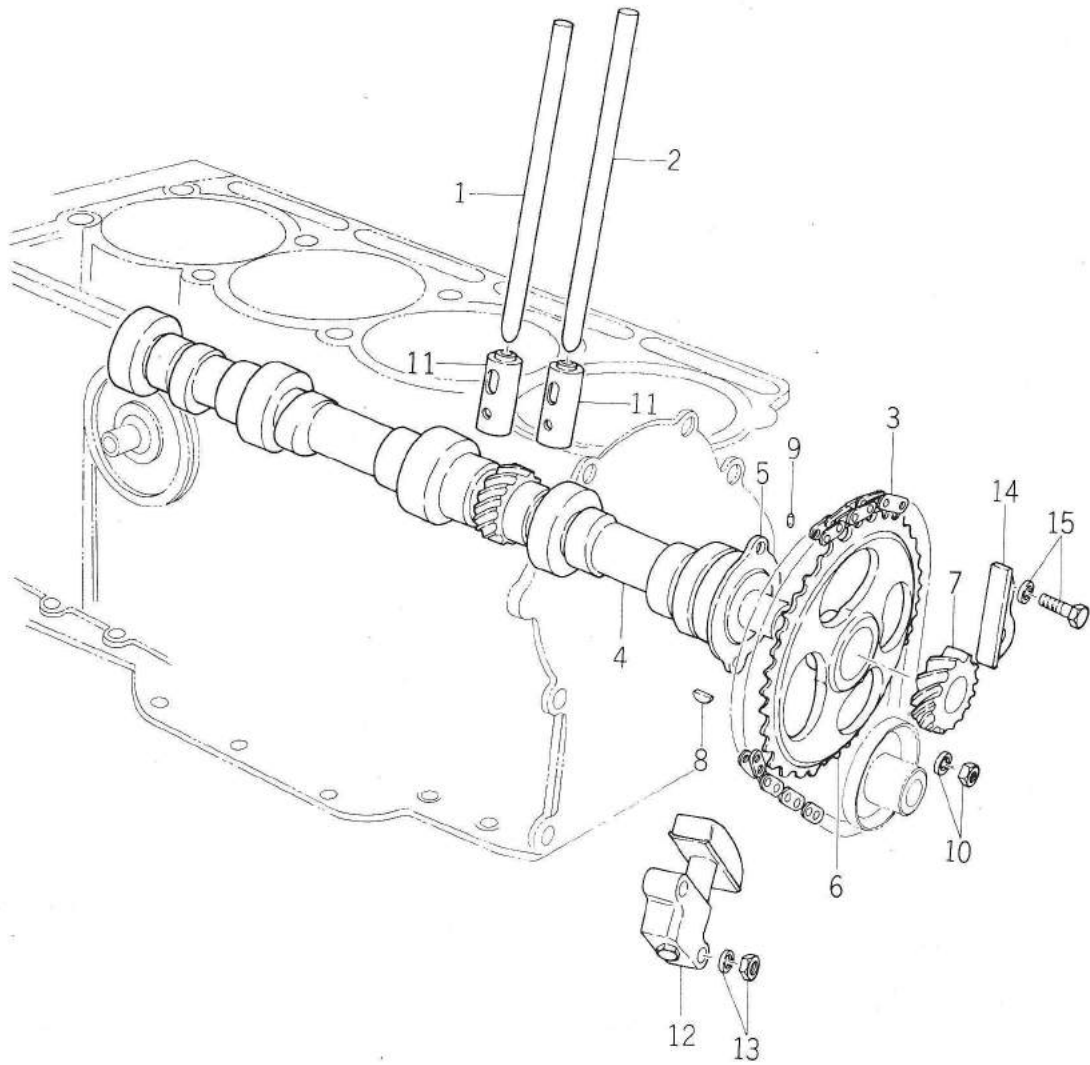
Fig. 7 VALVE SYSTEM



## VALVE SYSTEM

Ref. No.	Part No.	Description	Q'ty	Size	Remarks
1	0100620	plain washer	10	M11	
	0100140	nut	10	M11	
2	0120010	intake valve	4		
3	0120020	valve spring seat	8		
4	0120030	tapered sleeve (inlet)	8		
5	0120040	valve spring	8		
6	0120050	valve spring seat	8		
7	0120060	exhaust valve	4		
8	0120070	tapered sleeve (exhaust)	8		
9	0120080	rocker arm ass'y (inlet)	4		
10	0120100	. adjusting screw	4	M6 x 21.5	T. S. No. 000101 onward 1st & 2nd cat. No. replaced to 0120100
10	0120090	. adjusting screw	4	M6 x 21.5	
11	0990140	. lock nut	4	M6	
12	0120120	rocker arm ass'y (exhaust)	4		
13	0120100	. adjusting screw	4	M6 x 21.5	
14	0990140	. lock nut	4	M6	
15	0120140	set spring	8		
16	0120110	spacer	2		
17	0120150	rocker arm shaft	2		
18	0120160	shaft supporter	1		No oil hole
19	0120170	shaft supporter	1		
20	0990400	screw	2	M8 x 10	
	0990490	packing	2	M8	
21	0120180	shaft supporter (inlet)	1		
22	0120190	shaft supporter (inlet)	1		
23	0120200	shaft supporter (inlet)	1		
24	0120210	shaft supporter (exhaust)	1		
25	0120220	shaft supporter (exhaust)	1		
26	0120230	shaft supporter (exhaust)	1		

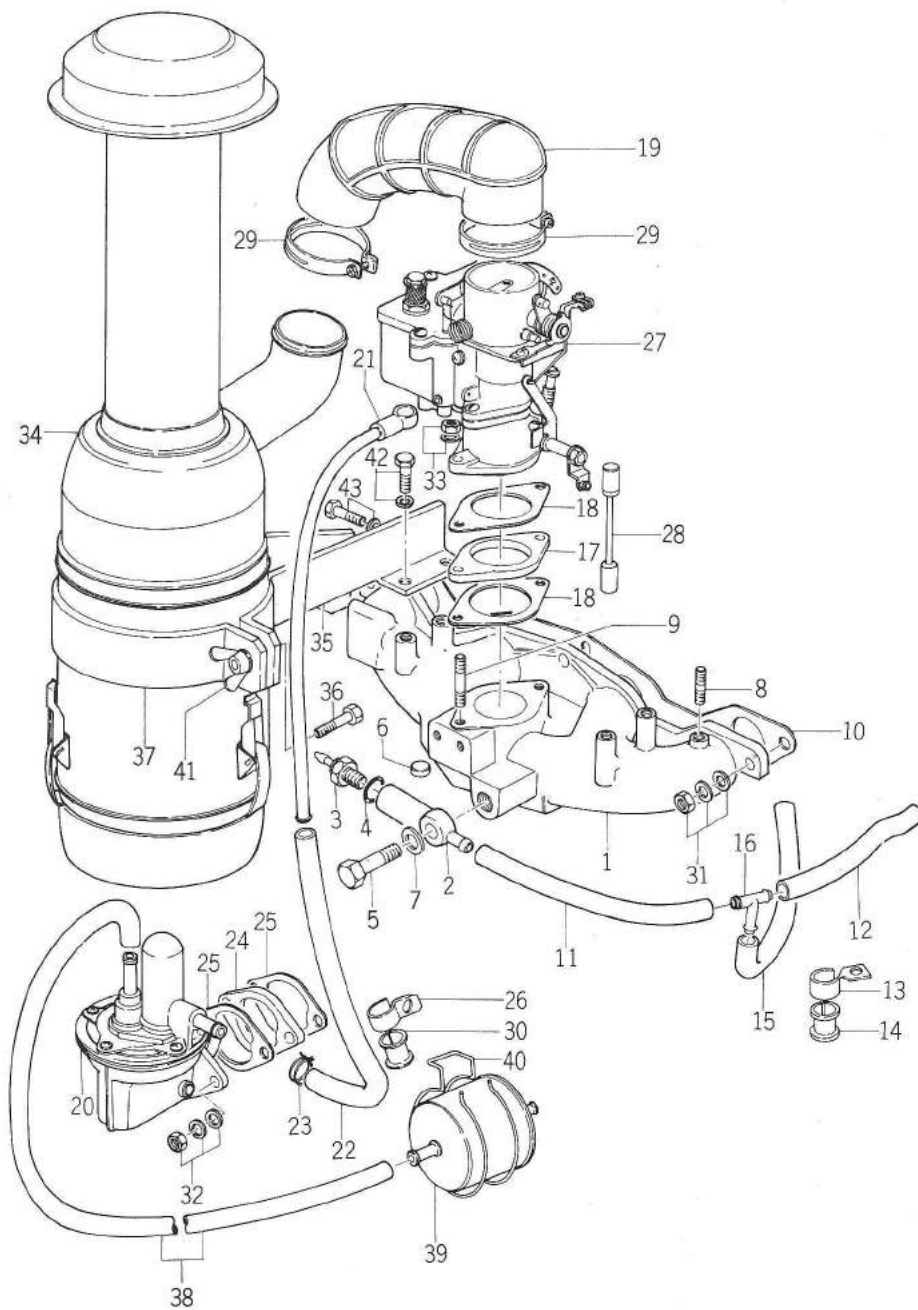
Fig. 8 CAMSHAFT



### CAMSHAFT

Ref. No.	Part No.	Description	Q'ty	Size	Remarks
1	0120240	inlet push rod	4		
2	0120250	exhaust push rod	4		
3	0120260	timing chain	1		
	0120270	cam shaft ass'y	1		
4	0120280	. cam shaft	1		} 0120270
5	0120290	. thrust plate	1		
6	0120300	. cam sprocket wheel	1		
7	0120310	. distributor drive gear	1		
8	0990520	. wood ruff key	1	5 x 16	
9	0120320	. dowel pin	1		
10	0990110	lock nut, thrust plate fix	2	M8	
	0990250	spring washer	2	M8	
11	0120330	tappet follower	8		
12	0120340	chain adjuster	1		
13	0990170	nut, chain adjuster fix	2	M6	
	0990230	spring washer	2	M6	
14	0120350	vibration damper	1		
15	0990370	bolt, vibration damper	2	M6 x 18	
	0990230	spring washer	2	M6	T. S. No. 000101 onward 1st, 2nd cat. No. replaced to 0990230.
	0090230	spring washer	2	M6	

Fig. 9 INTAKE SYSTEM





## INTAKE SYSTEM

Ref. No.	Part No.	Description	Q'ty	Size	Remarks
1	0130430	intake manifold ass'y	1		
2	0130460	hose connector	1		
3	0180540	. water heat gauge	1		T. S. No. 000101 onward Add to 1st cat.
4	0180310	. O-ring	1	M14	T. S. No. 000101 onward Add to 1st cat.
5	0130470	. connector bolt	1		
3		. connector bolt	1		1st cat. Ref. No. replaced to "5"
6	0990860	. blind plug	1	M14	T. S. No. 000101 onward
4	0130860	. blind plug	1	M14	1st cat. Ref. No. replaced to "6"
6	0130860	. blind plug	1	M14	2nd cat. No. replaced to 0990860
7	0990470	packing	2	M18	
5		packing	2		1st cat. Ref. No. replaced to "7"
8	0990650	. stud	1	M8 $\ell \cong 12$	
6		. stud			1st cat. Ref. No. replaced to "8"
9	0990540	. stud	2	M8 $\ell = 22$	
7		. stud			1st cat. Ref. No. replaced to "9"
10	0130270	gasket	1		
8		gasket			1st cat. Ref. No. replaced to "10"
11	0130320	water pipe, intake manifold	1		
9		water pipe intake manifold	1		1st cat. Ref. No. replaced to "11"
12	0130330	water pipe, water pump	1		
10		water pipe, water pump			1st cat. Ref. No. replaced to "12"
13	0130890	clip	1		Add to 1st cat.
11	0130730	clip	1		1st cat. Ref. No. replaced to "13" & Part No. 0130890
14	0990910	protector	1		Add to 1st cat.
15	0130730	water pipe	1		
12		water pipe			1st cat. Ref. No. replaced to "15"
16	0130340	T joint	1		
13		T joint			1st cat. Ref. No. replaced to "16"
17	0130400	insulator, carburetor	1		
14		insulator, carburetor			1st cat. Ref. No. replaced to "17"
18	0130410	gasket	2		
15		gasket			1st cat. Ref. No. replaced to "18"

0130430

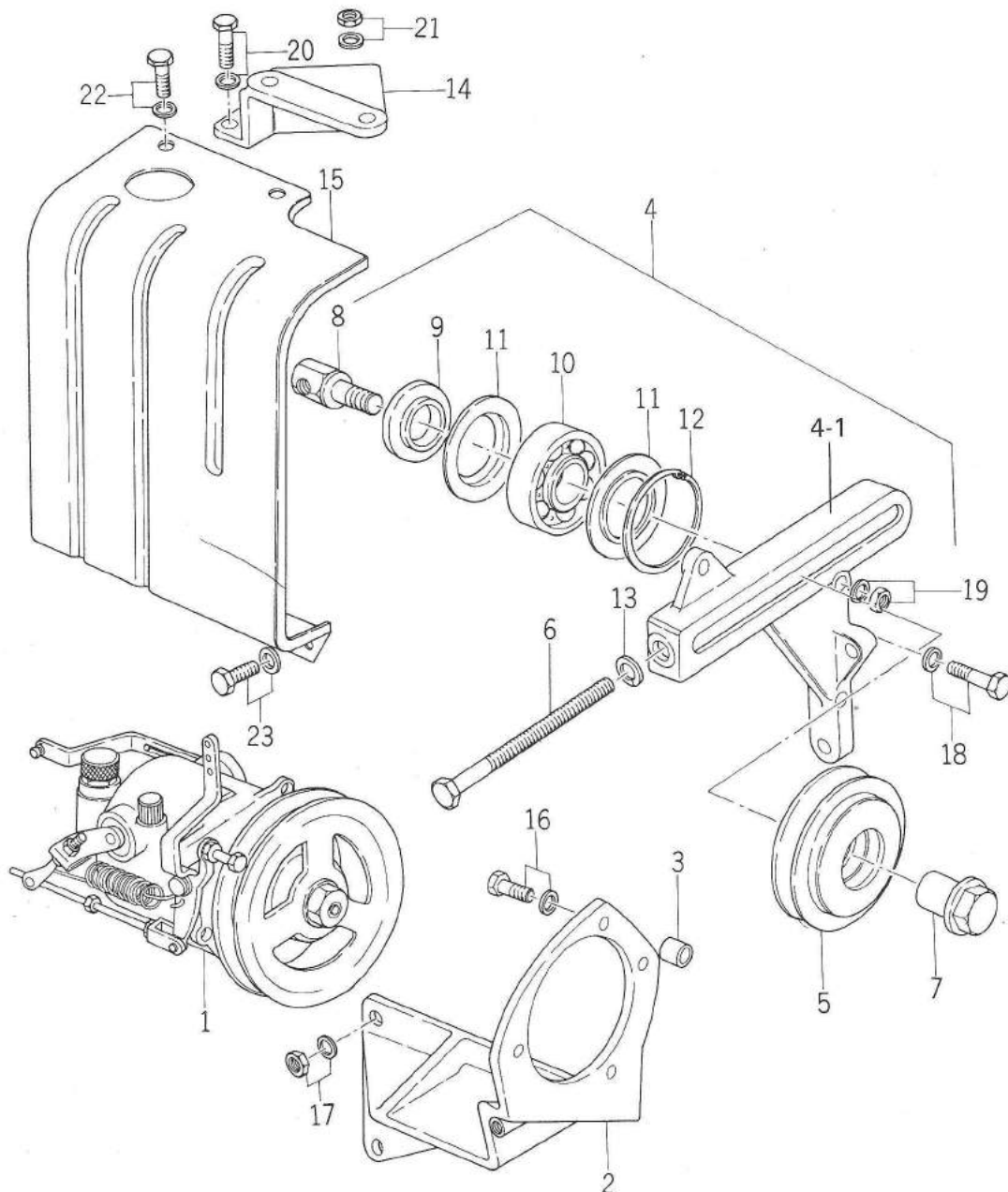
## INTAKE SYSTEM

Ref. No.	Part No.	Description	Q'ty	Size	Remarks
19	0130480	air hose	1		
16		air hose			1st cat. Ref. No. replaced to "19"
20	0130420	fuel pump ass'y	1		to see Fig. 12
17		fuel pump ass'y			1st cat. Ref. No. replaced to "20"
21	0130350	fuel pipe ass'y	1		
21	0130360	. fuel pipe	1		
18		. fuel pipe			1st cat. Ref. No. replaced to "21"
22	0990930	. fuel pipe	1		Combined usage Ref. No. 38
19		. fuel pipe			1st cat. Ref. No. replaced to "22"
23	0130260	. clip	10		1st & 2nd cat. Q'ty replaced to 10
20		. clip			1st cat. Ref. No. replaced to "23"
38	0990930	fuel pipe	1		T. S. No. 100201 onward Combined usage of Ref. No. 21, 22
34	0130080	fuel pipe	1		1st cat. Ref. No. replaced to "38" 1st cat. Part No. replaced to 0990930
24	0130290	insulator, fuel pump	1		
21		insulator, fuel pump			1st cat. Ref. No. replaced to "24"
25	0130300	packing, fuel pump	2		
22		packing, fuel pump			1st cat. Ref. No. replaced to "25"
26	0130310	clip, fuel pipe	1		PB No. 011229 inward
23		clip, fuel pipe			1st cat. Ref. No. replaced to "26"
26	0990900	clip, fuel pipe	1		PB No. 011230 onward
27	013051A	carburetor	1		1st, 2nd cat. Part No. replaced to 013051A, to see Fig. 13
24		carburetor	1		1st cat. Ref. No. replaced to "27"
28	013055A	rod ass'y	1		T. S. No. 000101 onward
25	0130550	rod ass'y	1		1st cat. Ref. No. replaced to "28" 1st, 2nd cat. Part No. replaced to 013055A
29	0990870	hose clamp (B-type)	2		
26		hose clamp (B-type)			1st cat. Ref. No. replaced to "29"
30	0130230	protector	1	M12	PB No. 011229 inward
27	0990790	protector			1st cat. Ref. No. replaced to "30" 1st cat. Part No. replaced to 0130230
30	0990940	protector			PB No. 011230 onward

## INTAKE SYSTEM

Ref. No.	Part No.	Description	Q'ty	Size	Remarks
31	0990150	nut, intake manifold	6	M8	
28		nut, intake manifold			1st cat. Ref. No. replaced to "31"
	0990240	plain washer	4	M8	
	0990250	spring washer	6	M8	
32	0990140	nut, fuel pump	2	M6	
29		nut, fuel pump			1st cat. Ref. No. replaced to "32"
	0990230	spring washer	2	M6	
	0990220	plain washer	2	M6	T. S. No. 000101 onward Add to 1st cat.
33	0990110	nut, carburetor fix	2	M8	
30					1st cat. Ref. No. replaced to "33"
	0990180	toothed washer	2	M8	
34	0130020	air cleaner	1		
31					1st cat. Ref. No. replaced to "34"
35	0130030	bracket, air cleaner	1		
32					1st cat. Ref. No. replaced to "35"
36	0990300	bolt	2		
					T. S. No. 000101 onward Add to 1st cat.
37	0130070	band, air cleaner	1		
33					1st cat. Ref. No. replaced to "37"
34	0130080	fuel pipe	2		
					T. S. No. 100200 inward Deleted, Replaced to 0990930
39	0130090	fuel filter	1		
35		fuel filter			1st cat. Ref. No. replaced to "39"
40	0130010	clamp	1		
36		clamp			1st cat. Ref. No. replaced to "40"
41	0990510	wing nut	2	M8	
37		wing nut			1st cat. Ref. No. replaced to "41"
42	0990070	set bolt	2	M8 x 12	
38		set bolt			1st cat. Ref. No. replaced to "42"
	0990250	spring washer	2	M8	
43	0990950	set bolt	2	M8 x 16	
39	2000816	set screw	2	M8 x 16	T. S. No. 000101 onward 1st cat. Ref. No. replaced to "43"
					1st cat. Part No. replaced to 0990950
	0990240	plain washer	2	M8	

Fig. 10 GOVERNOR ASSEMBLY AND IDLER



## GOVERNOR ASSEMBLY AND IDLER

Ref. No.	Part No.	Description	Q'ty	Size	Remarks
1	013052A	governor ass'y	1		T. S. No. 000101 onward to see Fig. 14, 1st, 2nd cat. Part No. replaced to 013052A
1	0130520	governor ass'y	1		
2	0130530	governor bracket	1		
3	0130540	spacer	1		
4	0130560	idler ass'y	1		
4-1	0130920	idler guide	1		T. S. No. 000101 onward Added on 3rd cat.
5	0130660	. pulley	1		
6	0130670	. adjust bolt	1		
7	0780010	. shaft	1		
8	0780020	. set bolt	1		
9	0780030	. spacer	1		
10	0780040	. ball bearing	1		
11	0780050	. dust seal	2		
12	0990410	. snap ring	1		
13	0990250	. spring washer	1	M8	
14	0130570	stay, governor cover	1		
15	0130580	governor cover	1		
16	0990020	set bolt, governor	2	M8 x 20	
	0990250	spring washer	2	M8	
	0990030	set bolt	1	M8 x 32	
	0990250	spring washer	1	M8	
17	0990130	nut, governor bracket	3	M10	
	0990260	spring washer	3	M10	
18	0990290	bolt, idler bracket	1	M10 x 32	
	0990260	spring washer	1	M10	
19	0990150	nut, idler	2	M8	T. S. 000101 onward 1st & 2nd cat. Parts No. replaced to 0990150
19	0090150	nut, idler	2	M8	
	0990250	spring washer	2	M8	
20	0990070	set bolt, cover stay (W/spring washer)	2	M8 x 10	T. S. No. 000101 onward 1st & 2nd cat. Part No. replaced to 0990070
20	0990010	set bolt, cover stay (W/spring washer)	2	M8 x 10	
21	0990120	nut, cover stay	1	M8	
	0990250	spring washer	2	M8	
22	0990080	set bolt, cover	2	M6 x 10	T. S. No. 000101 onward 1st & 2nd cat. Added "with spring washer"
	0990080	set bolt, cover (with spring washer)	2	M6 x 10	
	0990230	spring washer	2	M6	

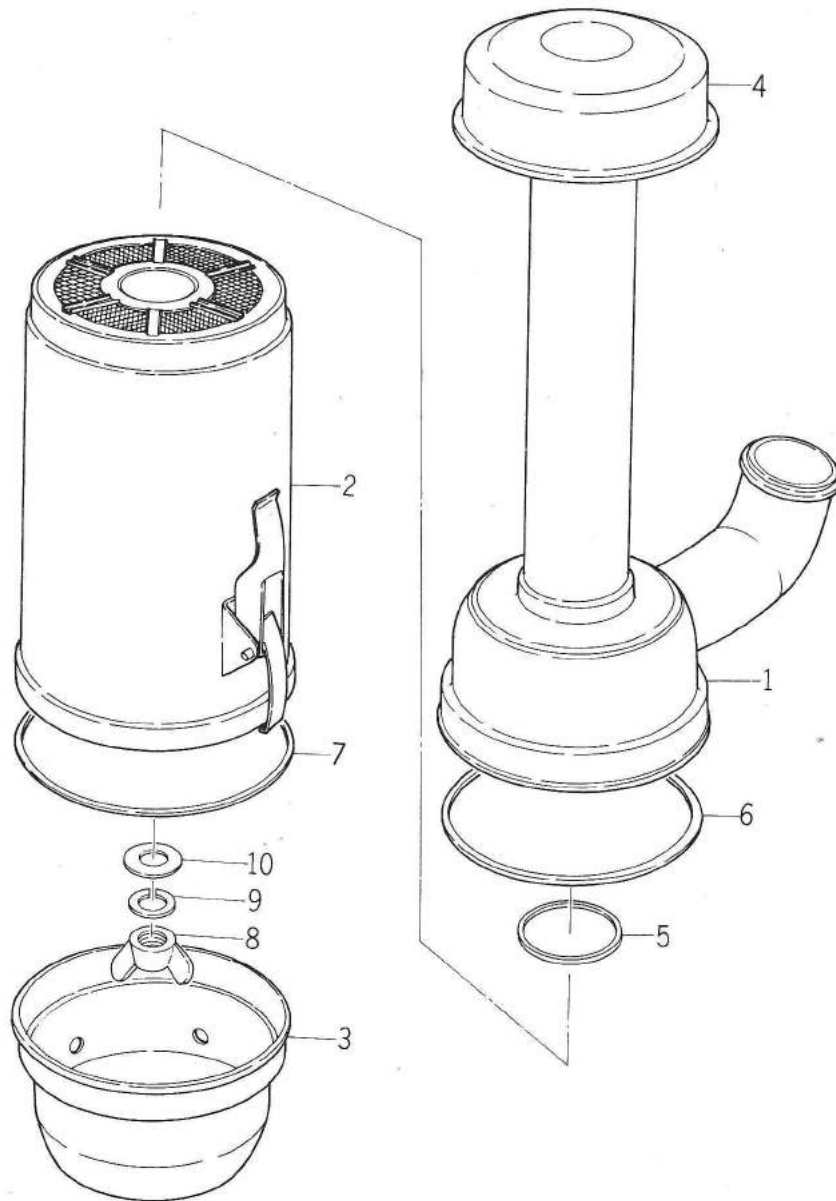
# GOVERNOR ASSEMBLY AND IDLER

Ref. No.	Part No.	Description	Q'ty	Size	Remarks
23	0990010	set bolt, cover (W/spring washer)	1		T. S. No. 000101 onward
24	0990920	bolt cover stay	2		Deleted to 2nd cat.
	0990250	spring washer	2		Deleted to 2nd cat.

SERVICE MEMO

A series of horizontal dotted lines for writing.

Fig. 11 AIR CLEANER

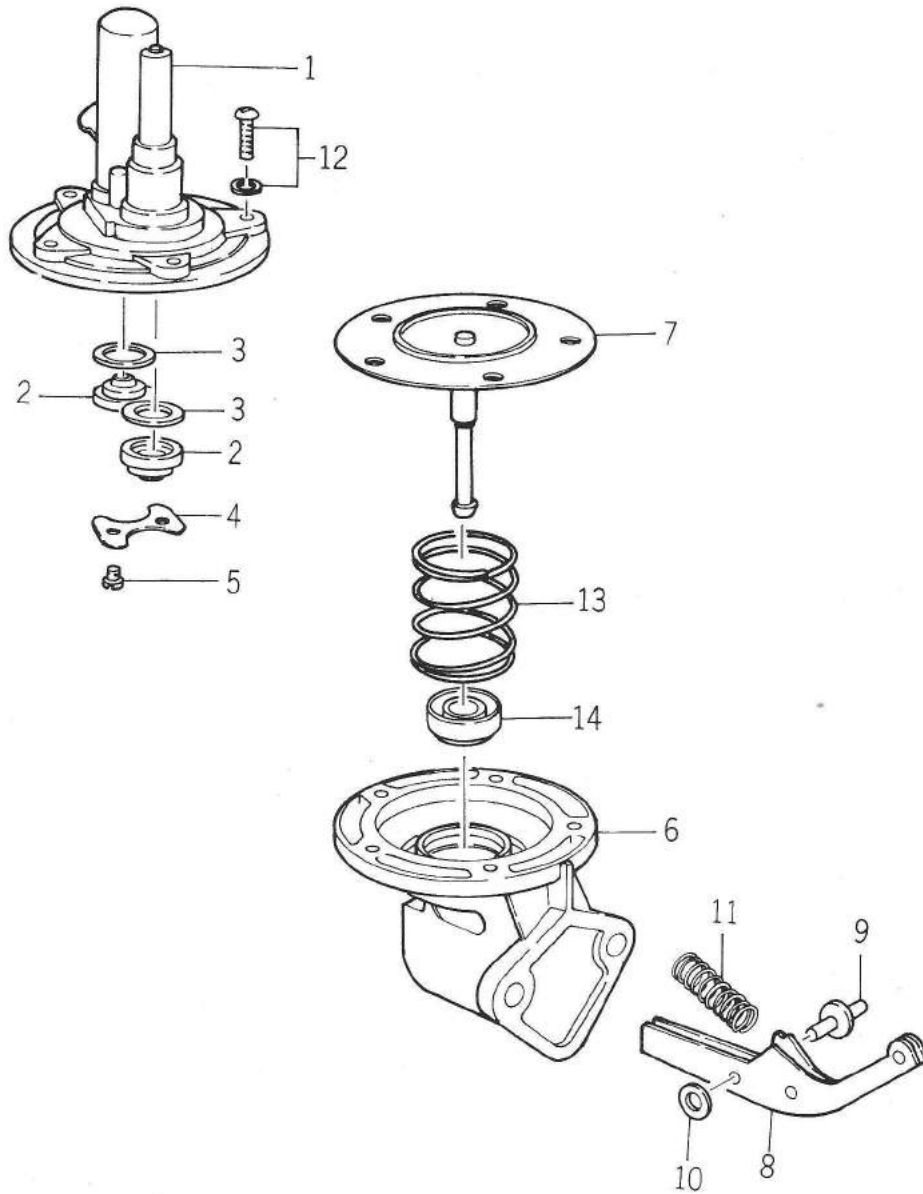




## AIR CLEANER

Ref. No.	Part No.	Description	Q'ty	Size	Remarks
	0130020	air cleaner ass'y	1		T. S. No. 000101 onward
1	0230280	. body	1		Added "ass'y" on 3rd cat.
1	0230280	. body ass'y	1		T. S. No. 000101 onward not saleable
2	0230290	. element chamber	1		1st, 2nd cat. Removed "ass'y"
2	0230290	. element chamber ass'y	1		T. S. No. 000101 onward
3	0230300	. oil pan	1		1st, 2nd cat. Removed "ass'y"
3	0230300	oil pan ass'y	1		T. S. No. 000101 onward
4	0230310	. cap	1		1st, 2nd cat. Removed "ass'y"
4	0230310	cap ass'y	1	0130020	T. S. No. 000101 onward
5	0230320	. O-ring	1		1st, 2nd cat. Removed "ass'y"
6	0230330	. body packing	1		
7	0230340	. packing, element chamber	1		
8	0230350	. wing nut	1		
9	0230360	. spring washer	1		
10	0230370	. washer	1		

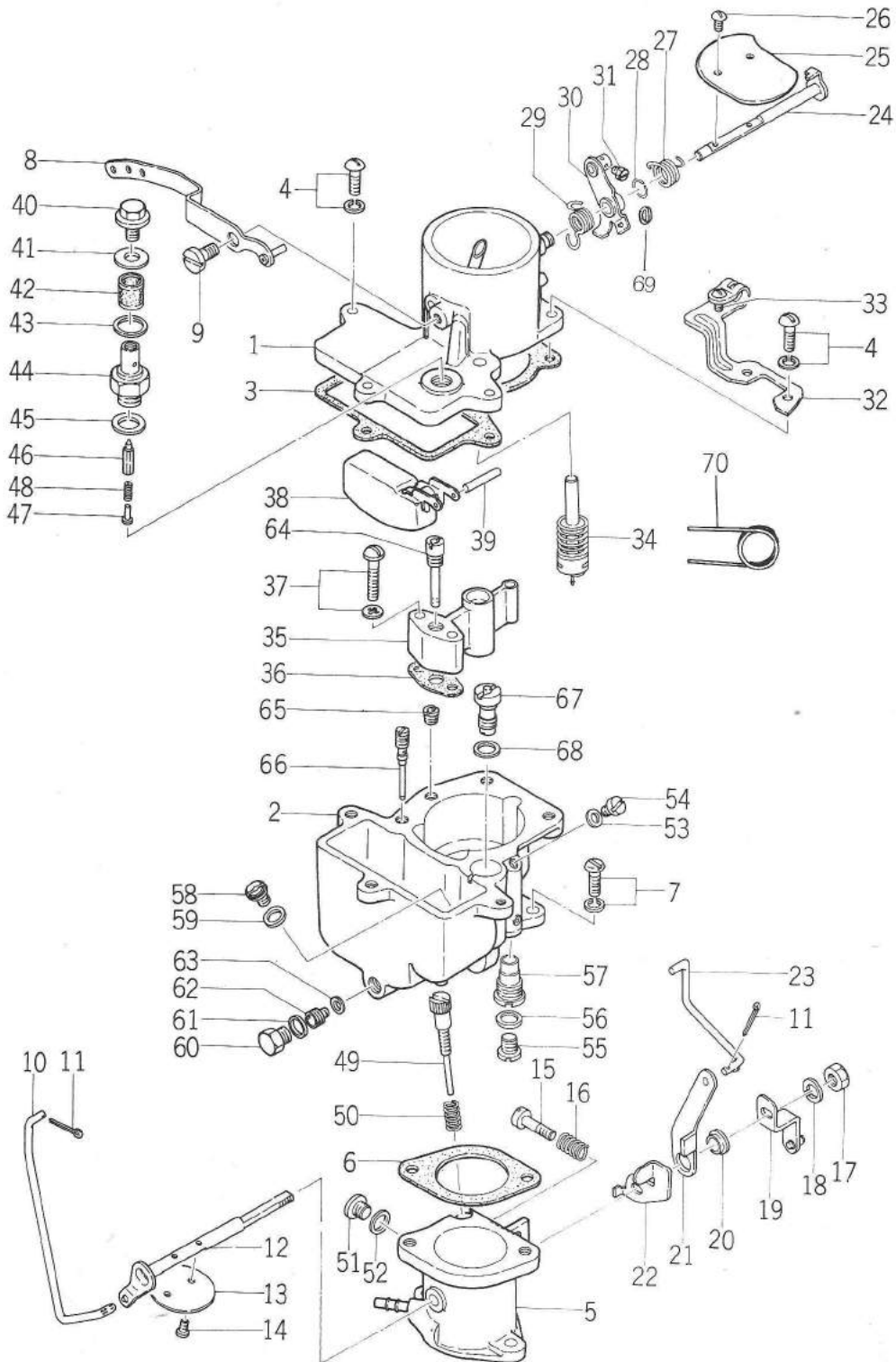
Fig. 12 FUEL PUMP



## FUEL PUMP

Ref. No.	Part No.	Description	Q'ty	Size	Remarks
	0130420	fuel pump ass'y	1		T. S. No. 000101 onward
	0130420	fuel pump	1		Added "ass'y" on 3rd cat
1	0230400	. upper body	1		1st & 2nd cat. Added "ass'y"
1	0230400	. upper body ass'y.	1		1st & 2nd cat. Removed "ass'y"
2	0130370	. valve	2		
2	0130370	valve ass'y	2		1st, 2nd cat. Removed "ass'y"
3	0230410	. gasket, valve	2		
4	0130740	. valve, retainer	1		
5	0230420	. screw, retainer fix	2		
6	0230430	. lower body	1		
6	0130760	oil seal	1		1st, 2nd cat. Removed "ass'y"
					1st, 2nd cat. Ref. No. replaced to "14"
14	0136760	oil seal	1		
7	0230190	. diaphragm	1		
7	0230190	. diaphragm ass'y	1		1st, 2nd cat. Removed "ass'y"
8	0230440	. rocker arm	1		
9	0130750	. rocker arm pin	1		
10	0230450	. rocker arm washer	2		
11	0230460	. rocker arm return spring	1		
12	0230470	. set screw (with spring washer)	5	M4	T. S. No. 000101 onward
12	0230470	set screw			2nd cat. Added with spring
12	0230470	. screw (with spring washer)	5		washer 1st cat. Description replaced set screw (with spring washer)
13	0230480	. diaphragm spring	1		
14	0130760	. oil seal	1		1st & 2nd cat. Ref. No. replaced to "6"
6	0130760	oil seal	1		

Fig. 13 CARBURETOR



## CARBULETOR

Ref. No.	Part No.	Description	Q'ty	Size	Remarks
	013051A	carburetor	1	(NIKKI make)	
	0130510	carburetor	1	(NIKKI make)	1st, 2nd cat. Part No. replaced to 013051A
1	0230660	. air horn	1		T. S. No. 000101 onward
1	0230660	. air horn ass'y	1		1st, 2nd cat. Removed "ass'y"
2	0230670	. body	1		T. S. No. 000101 onward
2	0230670	. body ass'y	1		1st, 2nd cat. Removed "ass'y"
3	0230680	. gasket, body	1		
4	0230690	. set screw B, air horn	5		
	0230700	. set washer	5		
5	0230710	. flange	1		T. S. No. 000101 onward
5	0230710	. flange ass'y			1st, 2nd cat. Removed "ass'y"
6	0230720	. gasket, flange use	1		
7	0230730	. set screw, flange fix	2		
	0230740	. set washer	2		
8	0230750	. pump arm	1		T. S. No. 000101 onward
8	0230750	. pump arm ass'y	1		1st, 2nd cat. Removed "ass'y"
9	0230760	. set screw pump arm fix	1		
10	0230770	. pump connecting rod	1		
11	0230780	. cotter pin	2		
12	0230790	. throttle valve shaft	1		T. S. No. 000101 onward
12	0230790	. throttle valve shaft ass'y	1		1st, 2nd cat. Removed "ass'y"
13	0230800	. throttle valve	1	013051A	
14	0130770	. set screw, throttle valve	2		
15	0230820	. adjusting screw, throttle valve	1		
16	0130780	. spring, adjusting screw	1		
17	0130790	. set nut, throttle shaft	1		
18	0230810	. spring washer throttle shaft	1		T. S. No. 000101 onward
18	0230810	. set washer, throttle shaft	1		1st, 2nd cat. Replaced to "spring washer"
19	0230830	. throttle valve lever	1		
20	0230840	. collar, throttle shaft	1		
21	0230850	. starting throttle lever	1		
22	0230860	. throttle adjusting arm	1		
23	0230870	. connecting rod, starting lever	1		
24	0230880	. choke valve shaft	1		T. S. No. 000101 onward
24	0230880	. choke valve shaft ass'y	1		1st, 2nd cat. Removed "ass'y"
25	0230890	. choke valve	1		
26	0130800	. set screw, choke valve	2		
27	0230900	. spring, choke valve shaft	1		
28	0130810	. choke lever link	1		
29	0230910	. return spring, choke lever	1		
30	0230920	. choke lever	1		T. S. No. 000101 onward
30	0230920	. choke lever ass'y	1		1st, 2nd cat. Removed "ass'y"
31	0230930	. set screw, choke wire	1		

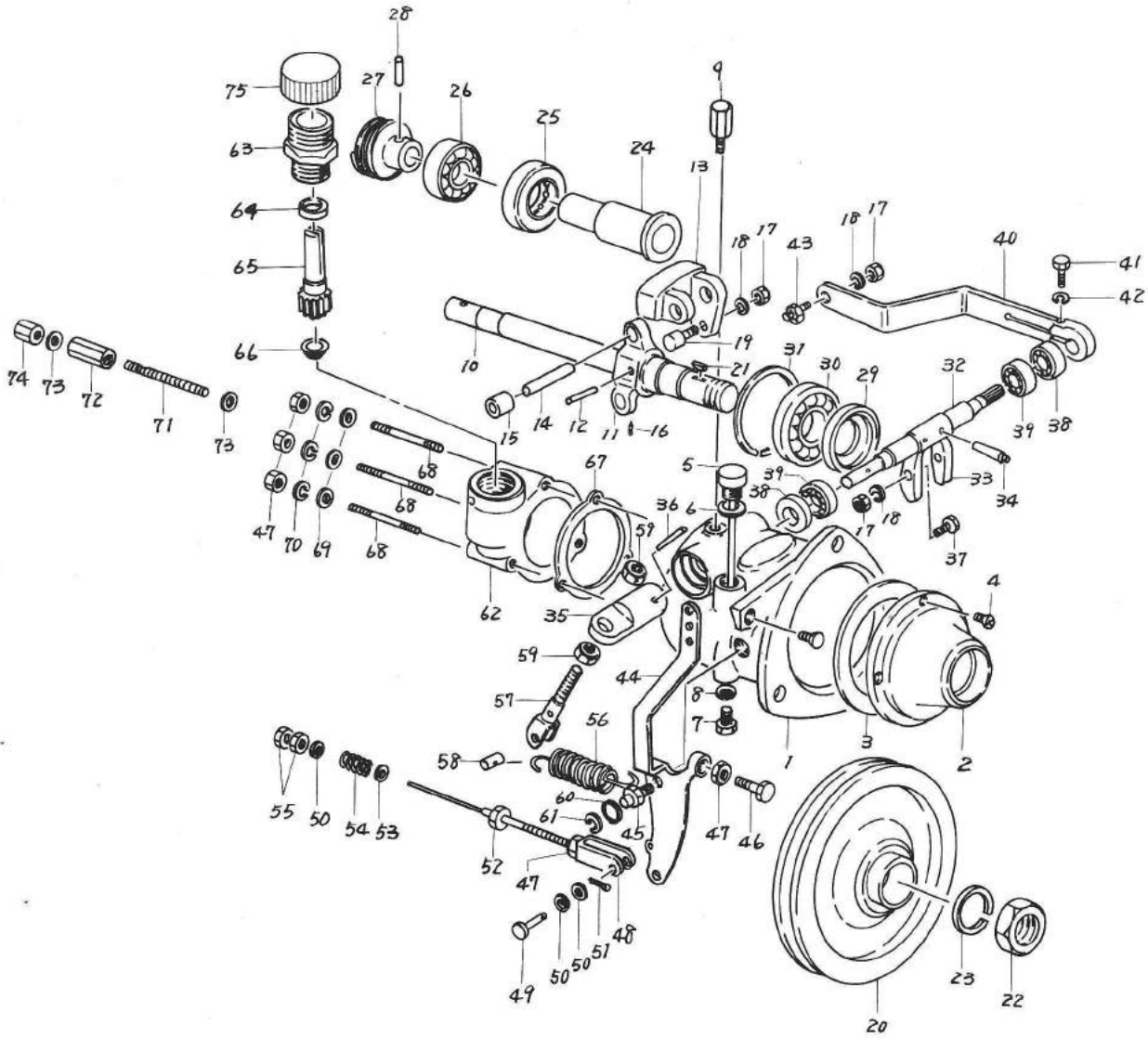
## CARBURETOR

Ref. No.	Part No.	Description	Q'ty	Size	Remarks
32	0230940	. choke wire holder	1		
33	023095A	. set screw, choke wire	1		T. S. No. 000101 onward
33	0230950	. set screw, choke wire	1		1st, 2nd cat. Part No. replaced to 023095A
34	023096A	. accelerator pump plunger ass'y	1		T. S. No. 000101 onward
34	0230960	. accelerator pump plunger ass'y	1		1st, 2nd cat. Part No. replaced to 023096A
35	0230970	. small venturi	1		
35	0230970	. small venturi ass'y	1		1st, 2nd cat. Removed ass'y
36	0230980	. gasket, small venturi	1		
37	023099A	. set screw, small venturi	2		
37	0230990	. set screw, small venturi	2		1st, 2nd cat. Part No. replaced to 023099A
	0231000	. toothed washer	2	M4	T. S. No. 000101 onward Deleted
38	023101A	. float	1		T. S. No. 000101 onward 1st, 2nd cat. Part No. replaced to 023101A
38	0231010	. float ass'y	1		1st, 2nd cat. Removed "ass'y"
39	0130860	. float pin	1		
40	013082A	. union bolt	1		T. S. No. 000101 onward
40	0130820	. union bolt	1		1st, 2nd cat. Part No. replaced to 013082A
41	0231020	. gasket, union bolt	1		
42	023012A	. strainer	1		T. S. No. 000101 onward 1st, 2nd cat. Part No. replaced to 023012A
42	0230120	. strainer ass'y	1	013051A	1st, 2nd cat. Removed "ass'y"
43	0230130	. gasket, fuel connector	1		
44	023014A	. float valve seat	1		T. S. No. 000101 onward
44	0230140	. float valve seat	1		1st, 2nd cat. Part No. replaced to 023014A
45	0230150	. gasket, float valve seat	2		
46	023016A	. float valve	1		T. S. No. 000101 onward
46	0230160	. float valve ass'y	1		1st, 2nd cat. Removed "ass'y" 1st, 2nd cat. Part No. replaced to 023016A
47	0130690	. retainer, spring	1		
48	0130830	. spring, float valve	1		
49	0231030	. idle adjusting screw	1		T. S. No. 000101 onward
49	0231030	. idle adjusting screw ass'y	1		1st, 2nd cat. Removed "ass'y"
50	023104A	. spring idle adjusting screw	1		1st, 2nd cat. Part No. replaced to 023104A
51	0231050	. slow port plug	1		
52	023106A	. gasket, slow port plug	1		
54	0231070	. pump jet plug	1		
53/	0130700	. gasket, pump jet plug	1		

## CARBURETOR

Ref. No.	Part No.	Description	Q'ty	Size	Remarks	
53	0231070	. pump jet plug	1		1st, 2nd cat. Ref. No. Replaced to 54	
54	0130700	. gasket, pump jet plug	1		1st cat. Ref. No. replaced to 53	
55	0231080	. acceleration passage plug	1			
56	023106A	. gasket, inlet	1		T. S. No. 000101 onward	
56	0231060	. gasket, inlet choke valve	1		1st, 2nd cat. Part No. replaced to 023106A	
57	0231100	. check vavle	1		T. S. No. 000101 onward	
57	0231100	. check valve ass'y	1		1st, 2nd cat. Removed "ass'y"	
58	0231110	. inlet check valve	1		T. S. No. 000101 onward	
58	0231110	. inlet check valve ass'y	1		1st, 2nd cat. Removed "ass'y"	
59	013084A	. gasket, check valve	1		T. S. No. 000101 onward	
59	0130840	. gasket, check valve	1		1st, 2nd cat. Part No. replaced to 013084A	
		- 013051A				
60	023112A	. main passage plug	1		T. S. No. 000101 onward	
60	0231120	. main passage plug	1		1st, 2nd cat. Part No. replaced to 023112A	
61	0130850	. gasket, main passage plug	1			
62	0230110	. main jet	1			
63	0231130	. gasket, main jet	1			
64	0230230	. main air bleed jet	1		T. S. No. 000101 onward	
64	0230230	. main air bleed jet ass'y	1		1st, 2nd cat. Removed "ass'y"	
65	0230220	. slow air bleed	1			
66	0230210	. slow jet	1		T. S. No. 000101 onward	
66	0230210	. slow jet ass'y	1		1st, 2nd cat. Removed "ass'y"	
67	0230200	. power jet	1		T. S. No. 000101 onward	
67	0230200	. power jet ass'y	1		1st, 2nd cat. Removed "ass'y"	
68	023017A	. gasket, power jet	1		T.S. No. 000101 onward	
68	0230170	. gasket, power jet	1		1st, 2nd cat. Part No. replaced to 023017A	
69	0130900	. valve shaft collar	1			
	0230180	carburetor gasket set	1 kit			
	0130700	}	1			
	0130840		1			
	0130850		1			
	0230130		1			
	0230150		- 0230180	1		
	0230680		1			
	0230720		1			
	0230980		1			
	0231020		1			
	0231060		1			
	0231130	1				
70	0231150	spring	1		T.S. No. 000101 onward Added on 3rd cat.	

Fig. 14 GOVERNOR





## GOVERNOR

NOTE: As for the governor, the third catalog should be referred to, but not the first and second catalogs.

Ref. No.	Part No.	Description	Q'ty	Size	Remarks
	0130520	governor ass'y	1		
1	0240560	governor case	1		
2	0240570	bearing case	1		
3	0240590	packing	1		
4	0240810	small screw	4	M4x0.75	
5	0240700	oil filler cap ass'y	1		
6	0240710	packing	1		
7	0240720	oil drain plug	1		
8	0240730	packing	1		
9	0241290	air breather	1		
10	0240600	governor shaft ass'y	1		
11	0240630	weight holder	1		
12	0240910	tapered pin	1	3φx30	
13	0240640	balance weight	2		
14	0240650	weight set pin	2		
15	0240670	weight bushing	4		
16	0240820	lock screw	2	M3x0.6	
17	0240790	nut	2	M5x0.9	
18	0240800	spring washer	2	M5	
19	0240660	weight pin	2		
20	0240610	governor pulley	1		
21	0240620	woodruff key	1		
22	0240750	nut	1	M12-1.25	
23	0240760	spring washer	1	M12	
24	0240680	thrust bearing collar	1		
25	0240860	thrust bearing	1	F-15-4	
26	0240840	ball bearing	1	#6200	
27	0241190	herical worm gear	1		
28	0241280	roll pin	1	3φx18	
29	0240880	oil seal	1	ABS30168	
30	0240850	ball bearing	1	#6203	
31	0240900	snap ring	1	40φ	
32	0240920	fork lever shaft ass'y	1		
33	0240930	fork lever	1		
34	0240950	fitting pin	2		
35	0240960	spring bolt holder	1		
36	0241130	tapered pin	1	3φ	
37	0240940	fork lever pin	2		
17	0240790	nut	2	M5x0.9	
18	0240800	spring washer	2	M5	

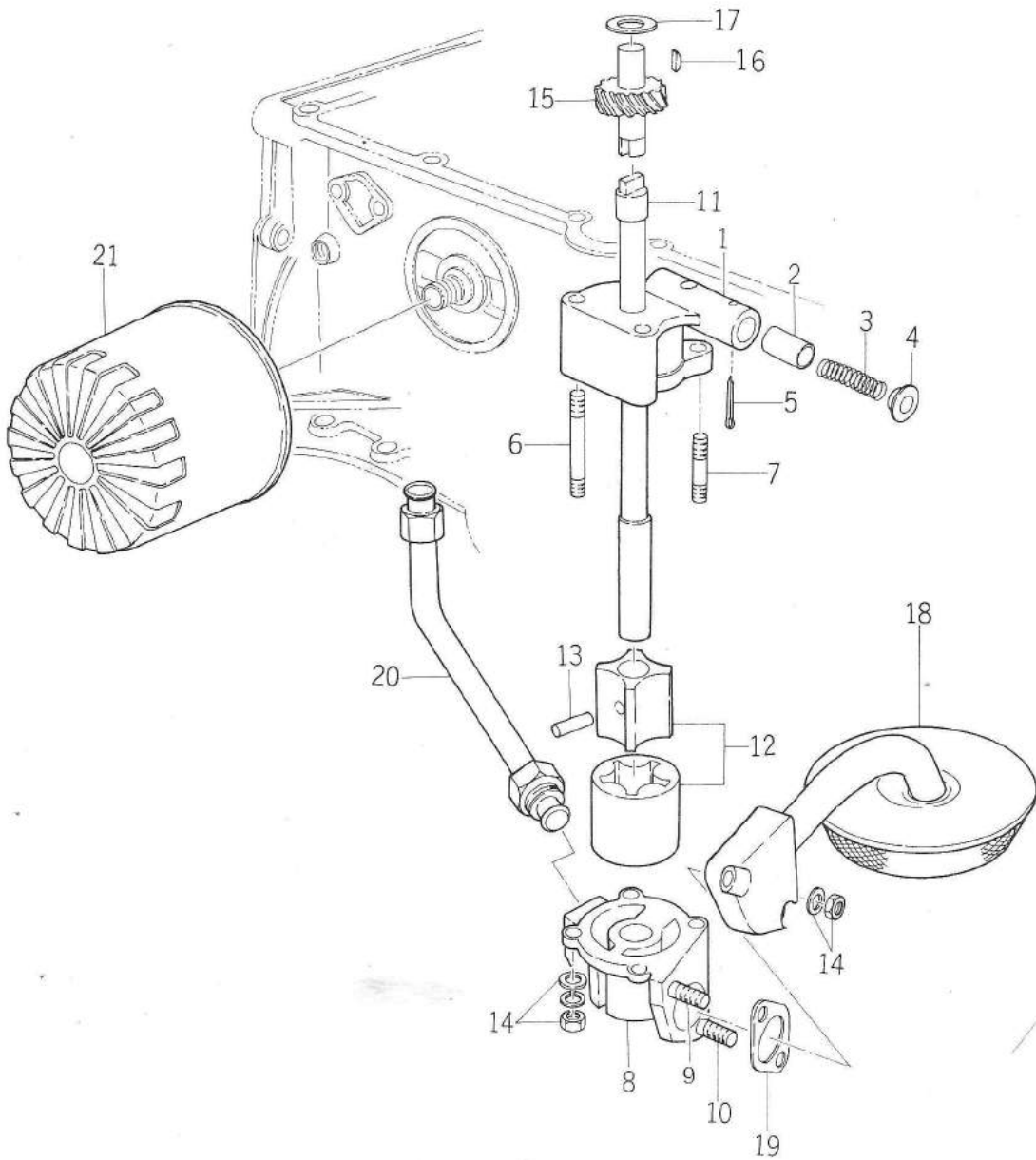
## GOVERNOR

Ref. No.	Part No.	Description	Q'ty	Size	Remarks
38	0240890	oil seal	2	AS2596	
39	0240870	ball bearing	2	RR9	
40	0241060	governor lever	1		
41	0241070	bolt	1	M8x20 P1.25	
42	0241090	spring washer	1	M8	
43	0241150	ball joint	1		
17	0240790	nut	1	M5x0.9	
18	0240800	spring washer	1	M5	
44	0240970	adjust lever	1		
45	0240690	adjust lever stud bolt	1		
46	0240770	bolt	1	M6x25 $\phi$	
47	0240780	nut	1	M6x1.0	
48	0241030	lever joint	1		
49	0241010	pin	1		
50	0241110	plain washer	2	M4	
51	0241160	cotter pin	1	2 $\phi$ -25	
52	0241020	lever rod	1		
47	0240780	nut	1	M6x1.0	
53	0241120	plain washer	1	M4x13	
54	0241050	damper spring	1	0130520	
55	0241100	nut	2	M4x0.75	
56	0241000	governor spring	1		
57	0240990	spring bolt ass'y	1		
58	0241040	lever trunnion	1		
59	0241080	nut	2	M8x1.25	
60	0240980	washer	1		
61	0241140	snap ring	1	10 $\phi$	
62	0241170	gear case	1		
63	0241220	sleeve	1		
64	0241210	worm gear pinion collar	1		
65	0241200	worm gear pinion	1		
66	0241180	gear case bushing	1		
67	0241240	gear case packing	1		
68	0241250	stud bolt (for governor case)	3	M6 P=1.0	
47	0240780	nut	3	M6x1.0	
69	0241260	plain washer	3	M6	
70	0241270	spring washer	3	M6	
71	0241300	stopper	1		
72	0241310	lock nut	1		
73	0240740	packing	1		

GOVERNOR

Ref. No.	Part No.	Description		Q'ty	Size	Remarks
74	0241320	cap nut	} 0130520	1		
75	0241230	sleeve cap		1		

Fig. 15 OIL PUMP



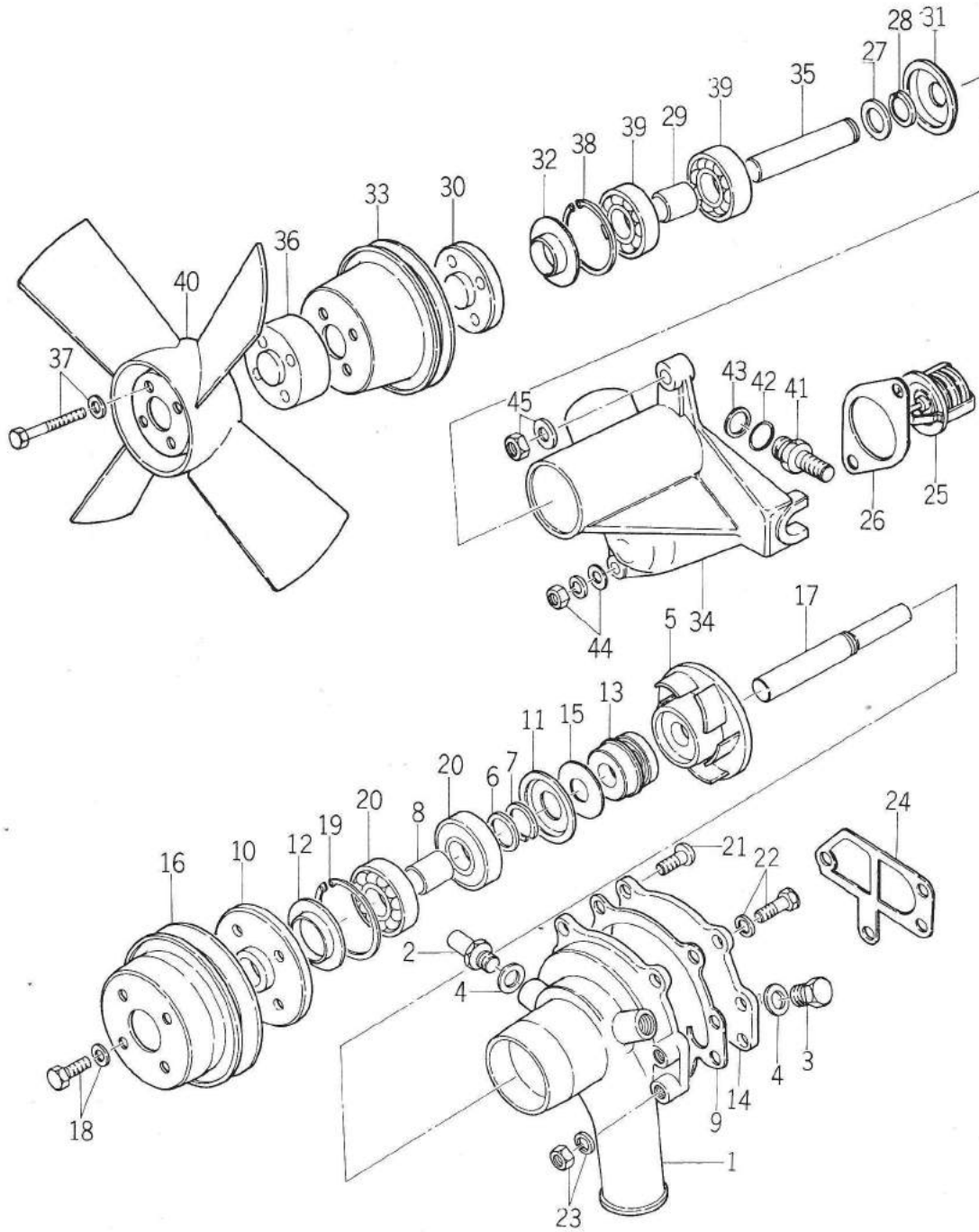
## OIL PUMP

Ref. No.	Part No.	Description	Q'ty	Size	Remarks
	0140010	oil pump complete	1		
1	0140020	. oil pump body ass'y	1		} 0140010
2	0140210	.. plunger	1		
3	0140220	.. spring	1		
4	0140230	.. spring seat	1		
5	0990530	.. split pin	1		
6	0990720	.. stud	1	M6 ℓ=50	
7	0990730	.. stud	1	M6 ℓ=35	
8	0140110	. oil pump cover ass'y	1		
9	0990600	.. stud	1		
10	0990550	.. stud	1		
11	0140030	. oil pump shaft ass'y	1		
12	0140240	.. oil pump rotor	1		
13	0140250	.. groove pin	1		
14	0990140	. nut	6	M6	
	0990230	. spring washer	6	M6	
	0990220	. plain washer	4	M6	
15	0140040	.. oil pump gear shaft ass'y	1		} 0140040
16	0180320	.. key	1		
17	0140050	. thrust washer	1	t = M2.0	} selective use
	0140060	. thrust washer	1	t = M2.5	
	0140070	. thrust washer	3	t = M0.1	
	0140080	. thrust washer	1	t = M2.3	
	0140090	. thrust washer	1	t = M1.8	
18	0140120	. oil strainer	1		
19	0140130	. gasket	1		
20	0140100	. oil pump pipe	1		
21	0140200	oil filter	1		

Ref. No. 12  
not saleable

1st, 2nd cat.  
Ass'y No.  
replaced to  
0140040  
Ref. No. 15  
Ref. No. 16  
not saleable

Fig. 16 COOLING SYSTEM



## COOLING SYSTEM

Ref. No.	Part No.	Description	Q'ty	Size	Remarks
	0150040	water pump complete	1		
1	0150120	. water pump body ass'y	1		
2	0150250	.. hose, connector	1	M18	
3	0990890	.. plug	1	M18	
4	0990470	packing	2		T. S. No. 000101 onward 1st, 2nd cat. Q'ty replaced to "2"
4	0990470	packing	1		
5	0150130	. water pump impeller	1		
6	0150170	. washer	1		
7	0150050	. stopper ring	1		
8	0150060	. bearing spacer	1		
9	0150140	. packing, water pump	1		
10	0150070	. pulley boss, water pump	1		
11	0150110	. dust seal	1		
12	0150080	. dust seal plate	1		
13	0150150	. water seal complete	1		
14	0150160	. end plate	1		
15	0150090	. water baffle plate	1		
16	0150100	. fan pump pulley	1		T. S. No. 000101 onward 1st, 2nd cat. Removed "ass'y"
16	0150100	fan pump pulley ass'y	1		
17	0780060	. water pump shaft	1		
18	0990040	. set bolt	4	M6 x 12	
		spring washer	4	M6	T. S. No. 000101 onward Added on 3rd cat.
19	0990420	. snap ring	1		
20	0990430	. ball bearing	2	9202	
21	0990390	. screw, water pump	1	M8 x 16	
22	0990310	bolt, water pump	1	M8 x 18	
	0990250	spring washer	1	M8	
23	0990150	nut, water pump	4	M8	
	0990250	spring washer	4	M8	
24	0150020	packing	1		
25	0150030	thermostat	1		T. S. No. 000101 onward 2nd cat. Deleted
25	0230010	thermostat (selective use)	1		
26	0150010	gasket	1		
	0150180	cooling fan complete	1		
27	0150170	. washer	1		
28	0150050	. stopper ring	1		
29	0150060	. bearing spacer	1		
30	0150070	. pulley boss	1		
31	0150110	. dust seal	1		
32	0150080	. dust seal plate	1		

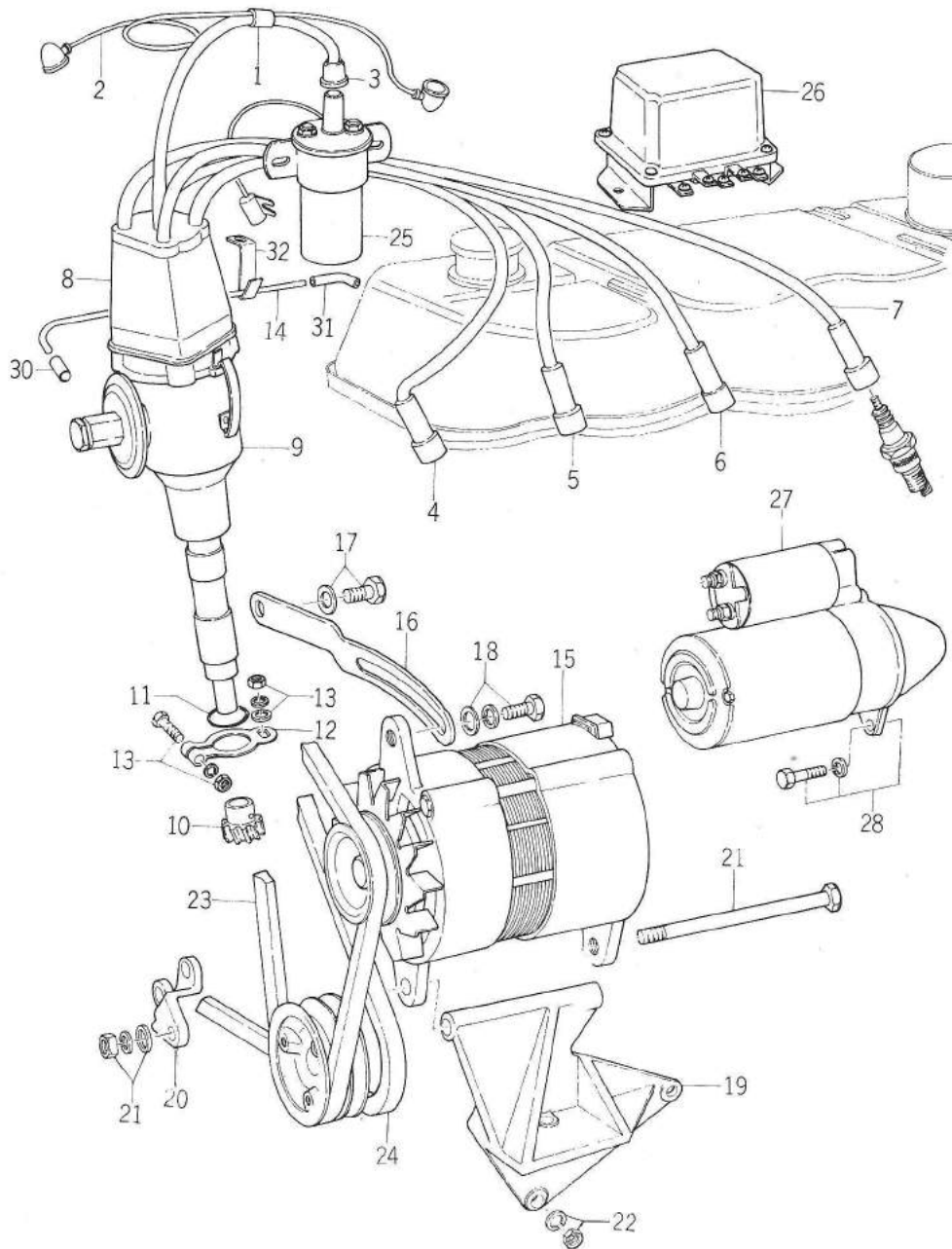
## COOLING SYSTEM

Ref. No.	Part No.	Description	Q'ty	Size	Remarks
33	0150210	. fan pump pulley	1		
34	0150220	. housing	1		
35	0150230	. shaft	1		
36	0150240	. spacer	1		
37	0990960	. set bolt	4	M6 x 40	PB No. 011229 inward
	0990050	. set bolt	4	M6 x 42	PB No. 011230 onward
	0990960	. set bolt	4	M6 x 40	T. S. No. 000101 onward
	0990050	. set bolt	4	M6 x 48	1st cat. Size replaced to M6 x 42
	0990260	spring washer	4	M6	
38	0990420	. snap ring	1		
39	0990430	. ball bearing	2	9202	
40	0150260	cooling fan	1		
41	0150190	plug	1		
42	0180310	O-ring	1		
43	0990470	packing	1	M18	
44	0990140	nut	2	M6	
	0990220	plain washer	2	M6	
	0990230	spring washer	2	M6	
45	0990130	nut, housing	1	M10	
	0990260	spring washer	1	M10	
	0990970	plain washer	1	M10	T. S. No. 000101 onward Added on 3rd cat.
	0900010	water pump only set 1	1 kit		
5	0150130	. water pump impeller	1		
6	0150170	. washer	1		
7	0150050	. stopper ring	1		
9	0150140	. gasket, water pump	1		
11	0150110	. dust seal	1		
12	0150080	. dust seal plate	1		
13	0150150	. water seal complete	1		
15	0150090	. water baffle plate	1		
17	0780060	. water pump shaft	1		
19	0990420	. snap ring	1		
20	0990430	. ball bearing	2		





Fig. 17 ELECTRIC EQUIPMENT (ENGINE)



## ELECTRIC EQUIPMENT (ENGINE)

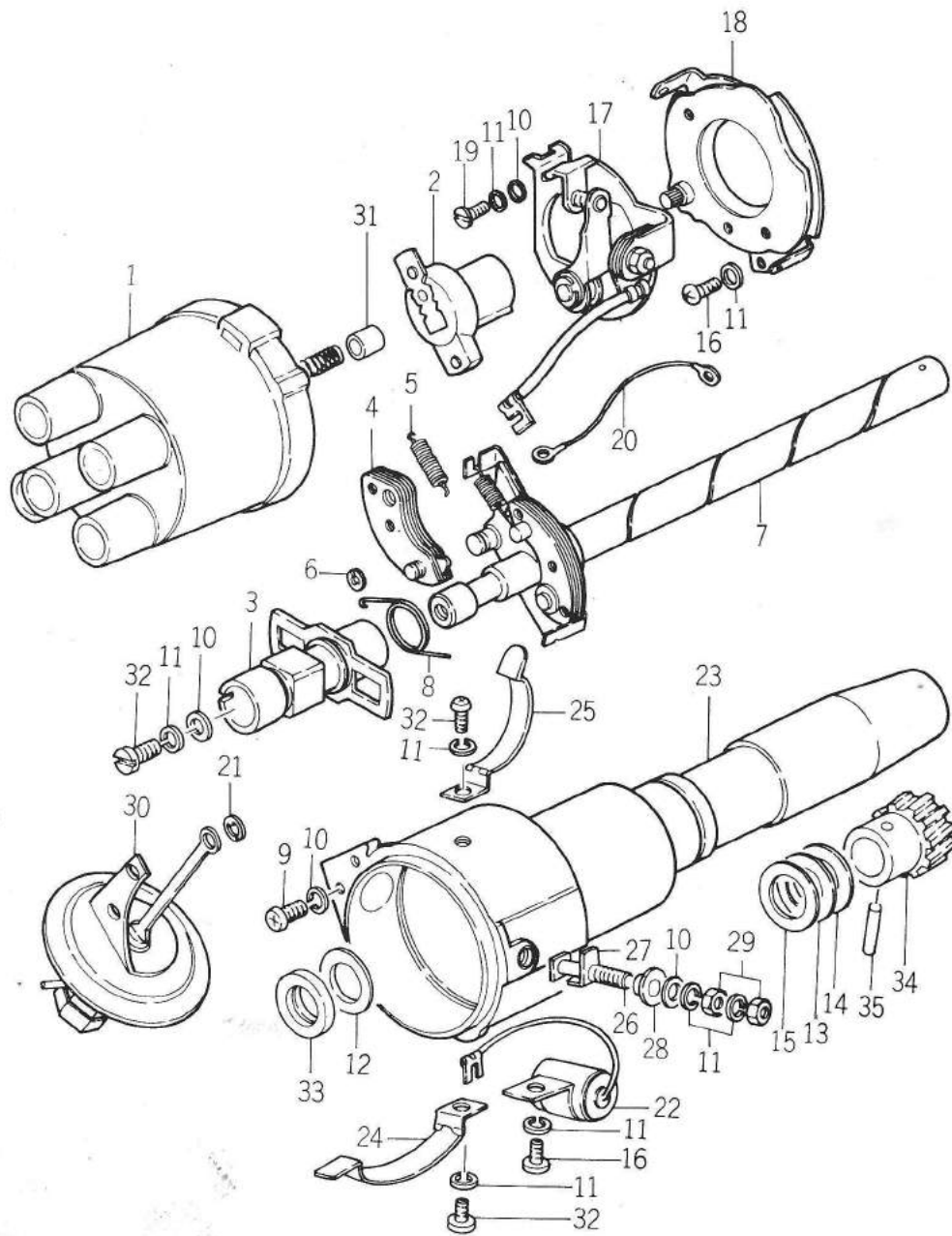
Ref. No.	Part No.	Description	Q'ty	Size	Remarks
	0180070	high tension cord ass'y	1		
	0180080	. high tension cord ass'y	1		
1	0180240	.. supporter	2		not saleable
2	0180220	.. cord	1		not saleable
3	0180210	.. cap	1		not saleable
4	018009A	. high tension cord ass'y (1)	1		T. S. No. 000101 onward
4	0180090	. high tension cord ass'y (1)	1		1st, 2nd cat. Part No. replaced to 018009A
5	018010A	. high tension cord ass'y (2)	1		T. S. No. 000101 onward
5	0180100	. high tension cord ass'y (2)	1		1st, 2nd cat. Part No. replaced to 018010A
6	018011A	. high tension cord ass'y (3)	1		T. S. No. 000101 onward
6	0180110	. high tension cord ass'y (3)	1		1st, 2nd cat. Part No. replaced to 018011A
7	018012A	. high tension cord ass'y (4)	1		T. S. No. 000101 onward
7	0180120	. high tension cord ass'y (4)	1		1st, 2nd cat. Part No. replaced to 018012A
8	0180130	distributor cover			
9	0180060	distributor ass'y	1		to see Fig. 18
10	0180340	distributor driven gear	1		
11	0180040	O-ring	1		
12	0180050	distributor lock plate	1		
13	0990320	bolt, distributor	1	M6 x 35	
	0990140	nut	2	M6	
	0990200	plain washer	1	M6	
	0990230	spring washer	2	M6	
14	0180270	vacuum control tube	1		T. S. No. 000101 onward
14	0180140	vacuum control tube	1		1st, cat. Part No. replaced to 0180270
15	0180150	alternator ass'y	1		to see Fig. 19
16	0180160	alternator strap	1		
17	0180580	bolt	1	M8 x 32	T. S. No. 000101 onward
17	0990030	set bolt, alternator strap	1	M8 x 32	1st, 2nd cat. Part No. replaced to 0180580
	0990250	spring washer	1	M8	T. S. No. 000101 onward
18	0990340	bolt, alternator strap	1	M8	Added on 3rd cat.
	0990210	plain washer	1	M8	
	0990250	spring washer	1	M8	
19	0180170	alternator bracket	1		
20	0180180	alternator stay	1		
21	0990330	bolt, alternator	1	M8 x 120	
	0990150	nut	1	M8	
	0990210	plain washer	1	M8	
	0990250	spring washer	1	M8	
22	0990130	nut, alternator bracket	3	M10	

## ELECTRIC EQUIPMENT (ENGINE)

Ref. No.	Part No.	Description	Q'ty	Size	Remarks
	0990260	spring washer	3	M10	
23	0180200	fan belt	1		outer circumference length 1092 mm
23	0180190	fan belt	1		T.S.No.000101 onward outer circumference length 1042 mm
24	0180190	governor belt	1		outer circumference length 1042 mm
24	0180200	governor belt	1		T.S.No.000101 onward outer circumference length 1092 mm
25	0180030	ignition coil	1		
26	0180010	regulator	1		
27	0180020	starter ass'y	1		to see Fig. 20
28	0990980	bolt, starter	2	M10 $\ell=45$	T. S. No. 000101 onward Add to 1st cat.
	0990130	nut	2	M10	T. S. No. 000101 onward 2nd cat. Deleted
	0990260	spring washer	2	M10	T. S. No. 000101 onward Add to 1st cat.
29	0990150	nut	1	M8	T. S. No. 000101 onward Deleted, Transferred to Page 56
	0990250	spring washer	1	M8	T. S. No. 000101 onward Deleted, Transferred to Page 56
30	0180550	joint	1		T.S. No. 000101 onward Add to 1st cat.
31	0180280	joint	1		T.S. No. 000101 onward Add to 1st cat.
32	0180560	clip, vacuum control tube	1		T.S. No. 000101 onward Add to 1st cat.



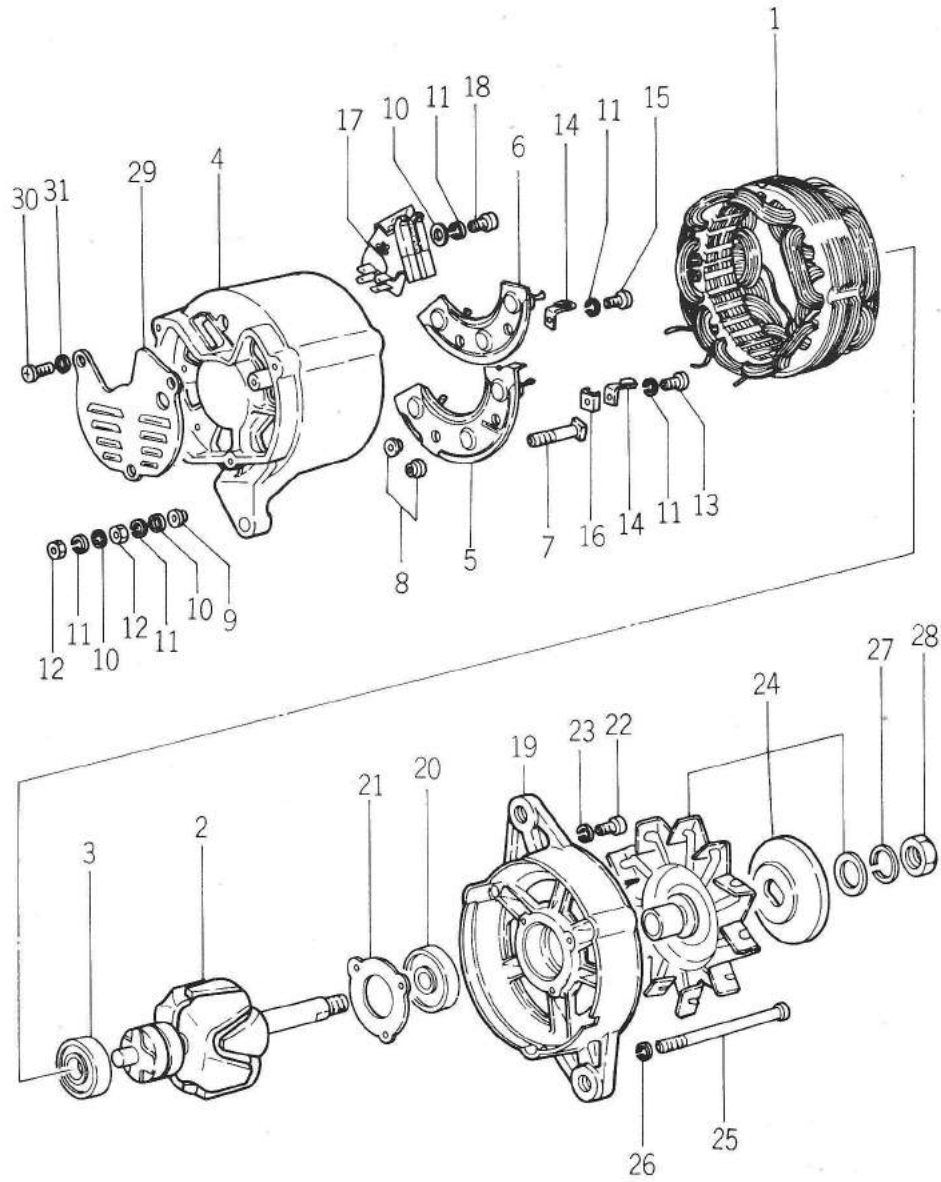
Fig. 18 DISTRIBUTOR



## DISTRIBUTOR

Ref. No.	Part No.	Description	Q'ty	Size	Remarks
	0180060	distributor ass'y (mitsubishi make)	1		
1	0180350	. cap	1		
2	0180360	. rotor	1		
3	0230380	. cam	1		
4	0180370	. governor weight	2		
5	0240030	. governor spring	2		
6	0180380	. snap ring	2		
7	0240010	. shaft ass'y	1		
8	0180390	. hair pin spring	1		
9	0240040	. small screw	2	4 x 10	
10	0180400	. washer	3	4.2x9.5x0.8	
11	0180410	. spring washer	1	4.1x7.6x1.0	
12	0240050	. washer	1	12.7x20x0.5	
13	0180420	. washer	1	12.7x20x1	
14	0180430	. washer	2	12.7x20x0.2	
15	0180440	. washer	1	12.7x20x0.1	
16	0240060	. small screw	2	4 x 6	0180060
17	0180450	. arm support ass'y	1		
18	0180460	. breaker base ass'y	1		
19	0240070	. small screw	2	4 x 6	
20	0180470	. lead wire	1		
21	0180480	. snap ring	1		
22	0240080	. condenser	1		
23	0240090	. housing	1		
24	0240100	. cap clamp ass'y	1		
25	0240110	. cap clamp ass'y	1		
26	0240120	. square bolt	1	4 x 25	
27	0180490	. terminal insulation	1	4	
28	0180500	. insulation plate	1	4	
29	0240130	. nut	2	4x7x3.2	
30	0240140	. vacuum control ass'y	1		
31	0230390	. contact carbon ass'y	1		
32	0240150	. small screw	3	4 x 8	
33	0180510	. oil seal	1		
34	0180340	. gear	1		
35	0240020	. roll pin	1		

Fig. 19 ALTERNATOR

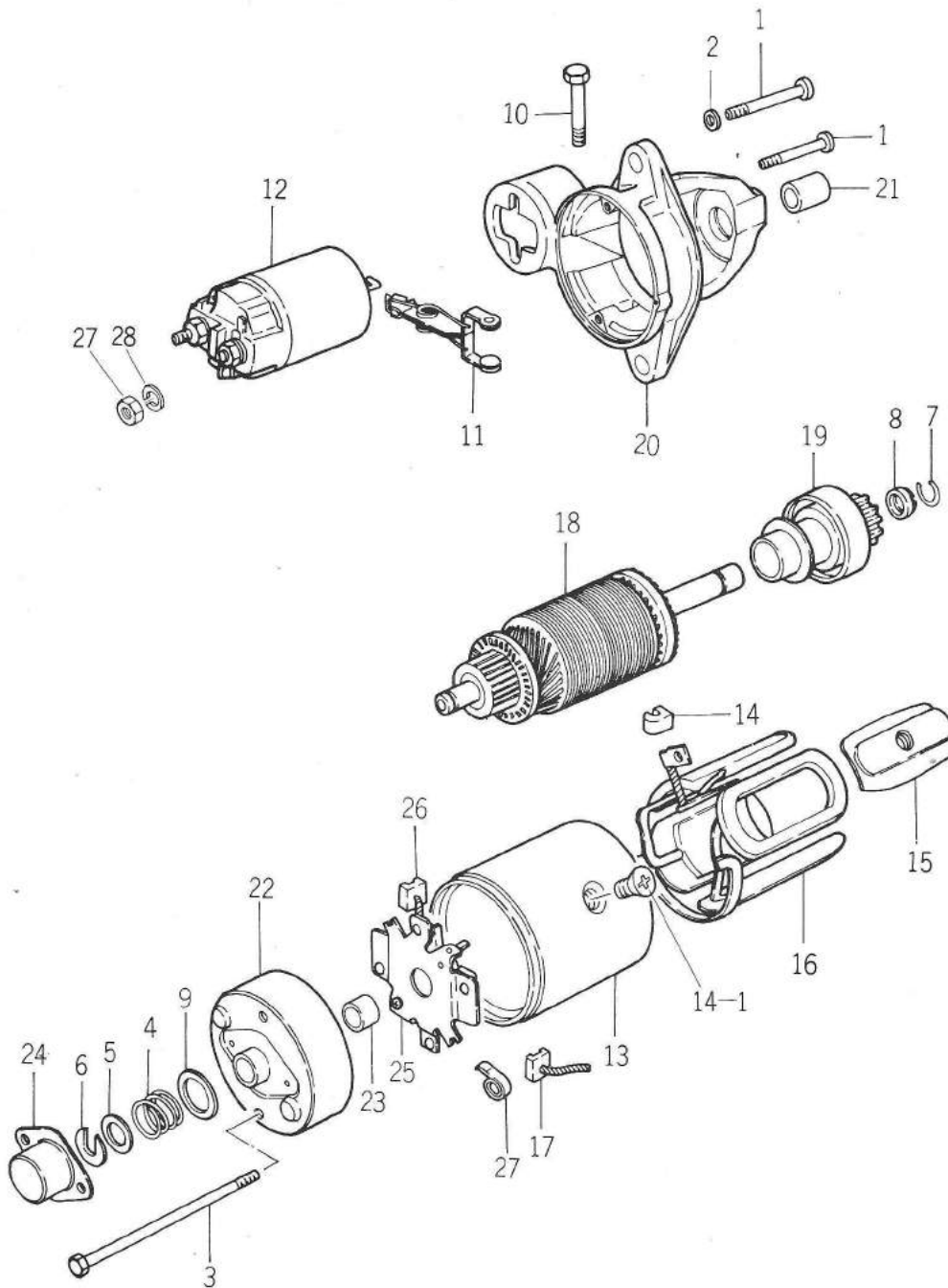




## ALTERNATOR

Ref. No.	Part No.	Description	Q'ty	Size	Remarks
	0180150	alternator ass'y	1		
1	0240270	. stator	1		
2	0240280	. rotor	1		
3	0240290	. ball bearing	1		
	0240300	rear bracket ass'y			
4	0240310	.. rear bracket	1		
5	0240320	.. heat sink complete (+)	1		
6	0240330	.. heat sink complete (-)	1		
7	0240340	.. square head bolt (5 x 45)	1		
8	0240350	.. insulation plate (5)	2		
9	0240360	.. insulation plate	1		
10	0240370	.. washer	3	5.5x10x0.8	
11	0230640	.. spring washer	6	5 x 13	
12	0240380	.. nut	2	5 x 4 x 8	
13	0240390	.. screw	1	5 x 14	
14	0240400	.. clamp	3		T. S. No. 000101 onward 1st cat. Q'ty replaced to "3"
14	0240400	.. clamp	2		
15	0240410	.. screw	2	5 x 10	
16	0240420	.. U shaped insulation	1		
17	0240430	.. brush holder ass'y	1		
18	0240440	.. screw	1	5 x 20	
	0240450	. front bracket ass'y	1		
19	0240460	.. front bracket	1		
20	0240470	.. ball bearing	1		
21	0240480	.. bearing retainer	1		
22	0240490	.. screw	3	5 x 16	
23	0230640	.. spring washer	3	5 x 13	
24	0240500	. pulley ass'y	1		
25	0240510	. screw	3	5 x 50	
26	0230640	. spring washer	3	5 x 13	
27	0230650	. spring washer	1	15	
28	0240520	. nut	1	12	
29	0240530	. rear cover	1		
30	0240540	. screw	3	5 x 8	
31	0230640	. spring washer	3	5 x 1.3	
32	0240550	. packing	1		T. S. No. 000101 onward 1st, 2nd cat. Deleted

Fig. 20 STARTER

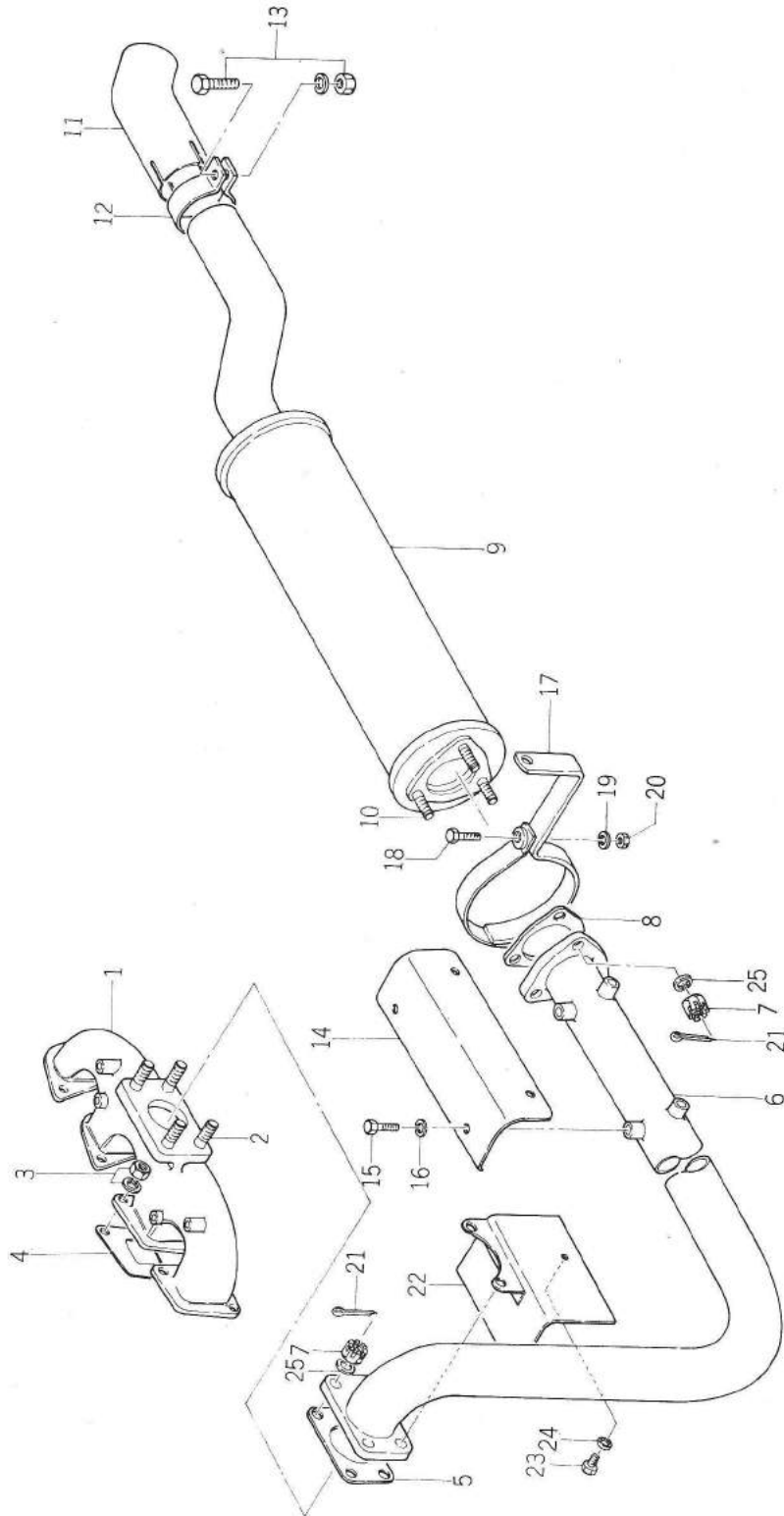


## STARTER

Ref. No.	Part No.	Description	Q'ty	Size	Remarks
	0180020	starter ass'y	1		
1	0240160	. screw	2		
	0230490	. washer			T. S. No. 000101 onward 1st cat. Deleted
2	0230500	. through bolt	2		
3	0240170	. spring	1		
4	0240180	. washer	1		
5	0240190	. lock plate	1		
6	0230510	. snap ring	1		
7	0230520	. clutch stop collar	1		
8	0240200	. rubber part	1		
9	0230530	. drive lever set pin	1		
10	0230540	. pinion drive lever	1		
11	0230550	. switch ass'y	1		
	0230560	. yoke complete	1		
12	0230570	.. yoke	1		
13	0230580	.. bush	1		
14	0230590	.. pole core	4		
14-1	0231160	.. screw, pole core	4		Added on 3rd cat.
15	0230600	.. field coil complete	1		
16	0230610	. brush	2		
17	0240210	. armature complete	1		
18	0240220	. over running clutch complete	1		
19	0240230	.. drive side housing complete	1		
20	0240240	.. bearing	1		1st 2nd cat. Ass'y No. replaced to 0240230
21	0230620	. commutator end frame complete	1		
22	0180520	.. oil-less bearing	1		
23	0240250	. end frame complete	1		
24	0240260	.. brush holder ring complete	1		
25	0230610	.. brush	2		
26	0230630	.. brush spring	4		1st 2nd cat. Ass'y No. replaced to 0240260
27	0990150	nut	1	M8	
28	0990250	spring washer	1	M8	

\* Ref. No. on Page 56 in the 2nd catalogue has been advanced by one number due to deletion of the ref. no. 2 in the 1st catalogue.

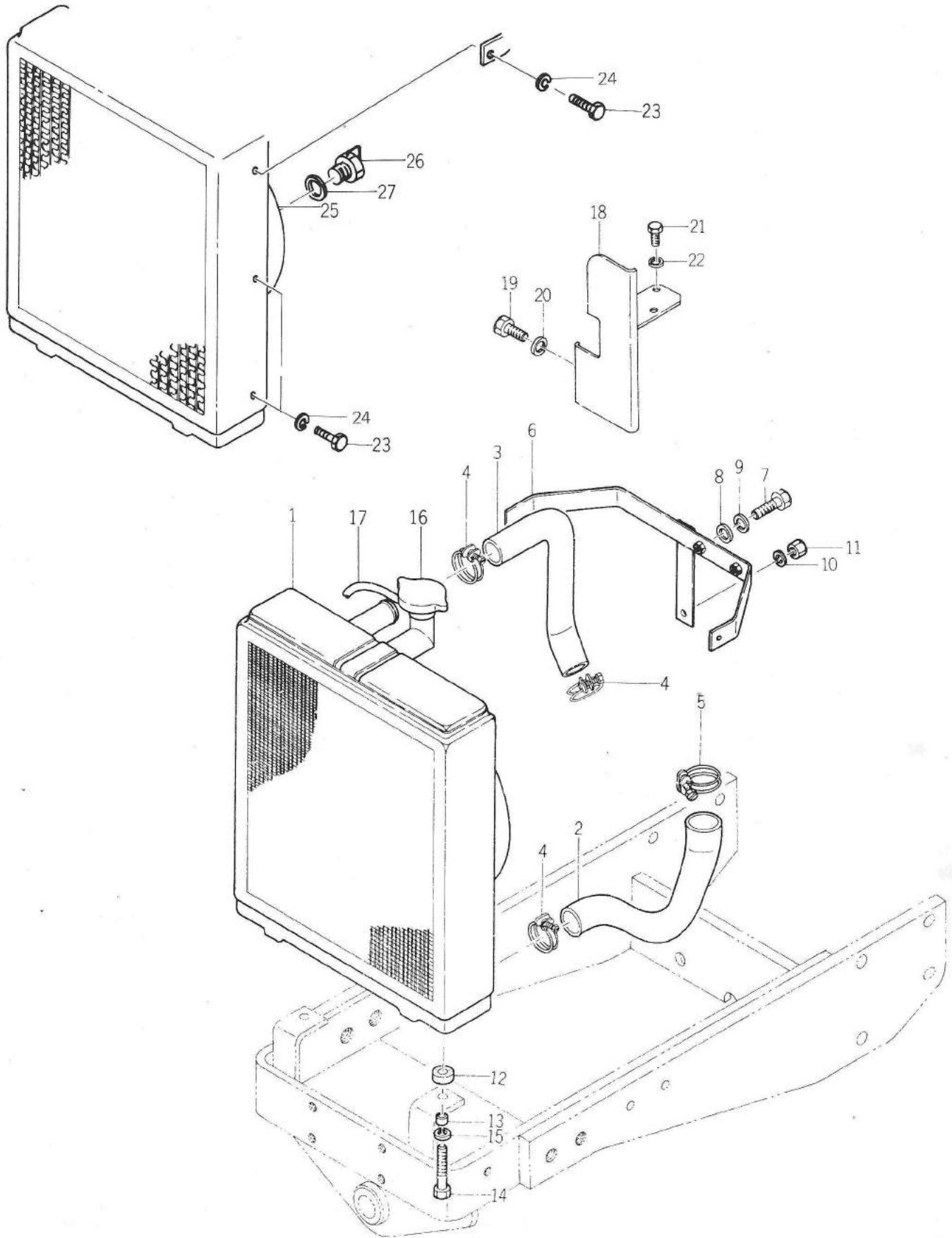
Fig. 21 EXHAUST MANIFOLD AND SILENCER



## EXHAUST MANIFOLD AND SILENCER

Ref. No.	Part No.	Description	Q'ty	Size	Remarks
1	0130490	exhaust manifold ass'y	1		
2	0130110	. stud	4	M8 ℓ=33	} 0130490
3	0130250	nut, exhaust manifold	8	M8	
	0990190	plain washer	6	M8	
4	0130390	gasket	4		
5	0130710	gasket, exhaust pipe	1		
6	CA03010	silencer pipe	1		
7	0400020	nut	7		
	0990880	split pin	4		T. S. No. 000101 onward 1st, 2nd cat. Deleted (Replaced to Ref. No. 21, 5212020)
8	0130240	gasket, silencer	1		
9	0130100	silencer ass'y	1		
10	0130110	. stud	3	M8 ℓ=33	} 030100
11	0130220	outlet pipe end	1		
12	0400030	band	1		
13	0990150	nut	1	M8	T. S. No. 000101 onward
13	0990280	nut	1	M8	1st, 2nd cat. Part No. replaced to 0990150
	0990310	bolt	1	M8 x 18	
	0990250	spring washer	1	M8	T. S. No. 000101 onward
	0990150	spring washer	1	M8	1st, 2nd cat. Part No. replaced to 0990250
14	CA03050	heat proof plate	1		
15	2000610	screw	4	M6 x 10	T. S. No. 000101 onward
15	2000060	screw	4	M6 x 10	1st cat. Part No. replaced to 2000610
16	3600062	spring washer	4	M6	
17	CA03100	silencer support	1		
18	2000820	screw	1	M8 x 20	T. S. No. 000101 onward
	2000080	screw	1	M8 x 20	1st, cat. Part No. replaced to 2000820
19	3600082	spring washer	1	M8	
20	3000081	nut	1	M8	
21	5212020	cotter pin	7		
22	CA03210	heat proof plate	1		T.S. No. 000101 onward
23	2000610	screw	1	M6 x 10	
24	3600062	spring washer	1	M6	
25	3500815	washer	5	M8	

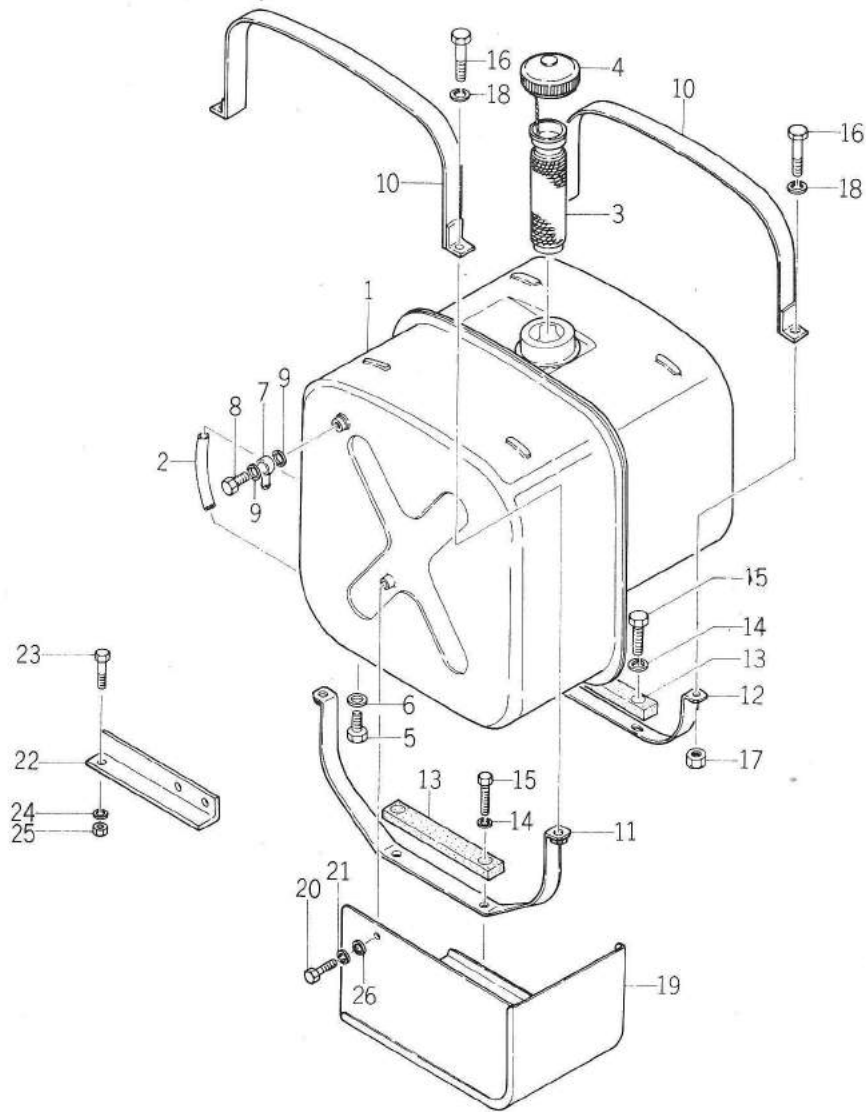
Fig. 22 RADIATOR



## RADIATOR

Ref. No.	Part No.	Description	Q'ty	Size	Remarks
1	CA00107	radiator ass'y	1		T. S. No. 100101 onward
1	CA00100	radiator ass'y	1		Inter changeable T. S. No. 000101 ~ 100010 1st, 2nd cat. Replaced to CA00107
2	CA00120	water hose, inlet	1		
3	CA00130	water hose, outlet	1		
4	CD00140	water hose clip	3		
5	CA00140	water hose clip	1		
6	CA00160	radiator support	1		
7	2000816	screw	2	M8 x 16	T. S. No. 000101 onward
7	2000820	screw	2	M8 x 20	1st cat. Replaced to 2000816
8	3500820	washer	2	M8	
9	3600082	spring washer	2	M8	
10	3600082	spring washer	1	M8	
11	3000081	nut	1	M8	
12	CD00160	foot packing	2		
13	CA00150	distance tube	2		
14	1021030	bolt	2	M10 x 30	
15	3600102	spring washer	2	M10	
16	S36230A	filler cap	1		
17	S500123	over flow pipe	1	M9.5φx795	
18	CA00200	wind proof plate	1		Add to 1st cat.
19	2000816	screw	1	M8 x 16	Add to 1st cat.
20	3600082	spring washer	1	M8	Add to 1st cat.
21	2000610	screw	2	M6 x 10	Add to 1st cat.
22	3600062	spring washer	2	M6	Add to 1st cat.
23	2000814	screw	6	M8 x 14	
24	3600082	spring washer	6	M8	
25	CA118A0	fan shroud	1		
26	L381500	cock	1	M12 P1.25	} Add to 1st, 2nd cat.
27	L381510	packing	1	t=2.0	

Fig. 23 FUEL SYSTEM

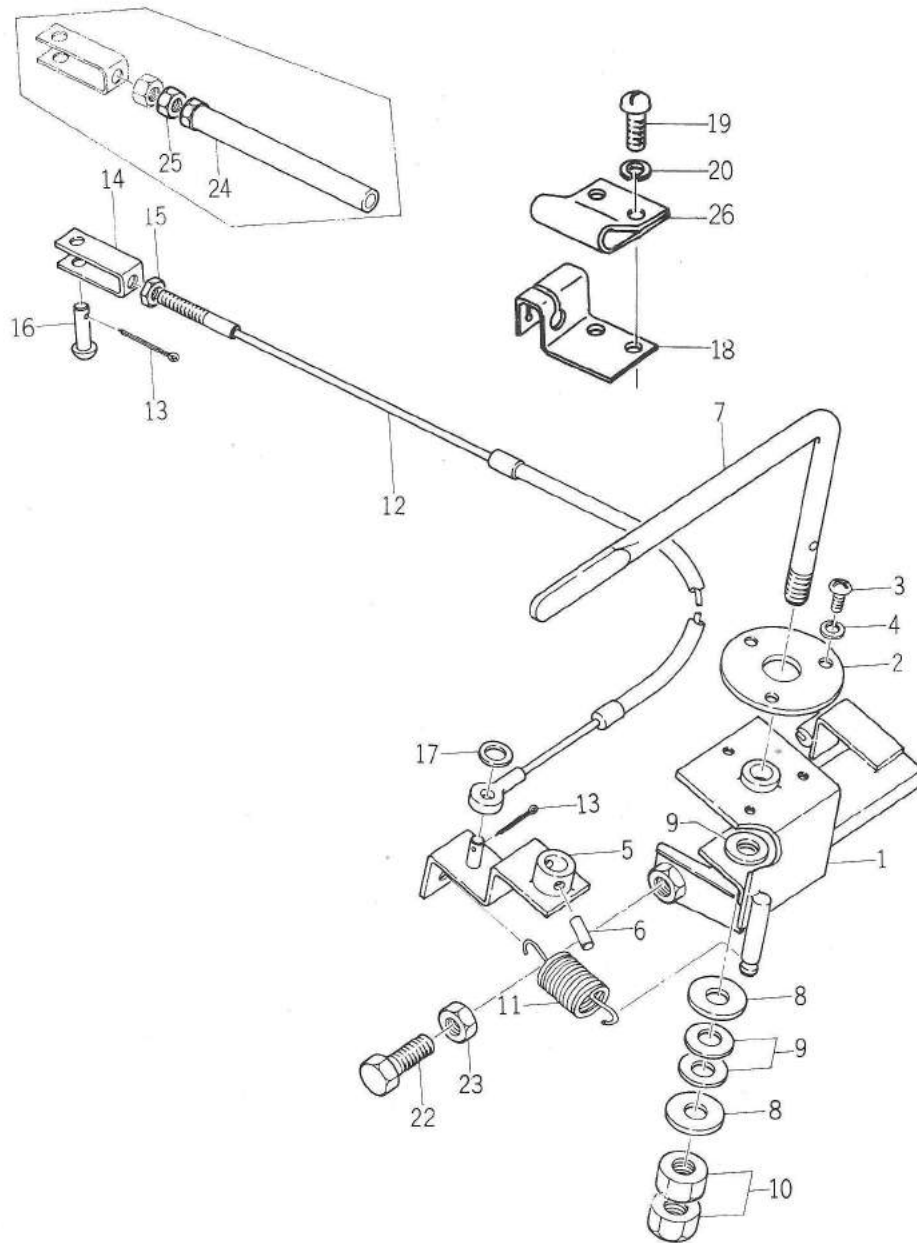




## FUEL SYSTEM

Ref. No.	Part No.	Description	Q'ty	Size	Remarks
	CA01007	fuel tank ass'y	1		T. S. No. 000101 onward
	CA01000	fuel tank ass'y	1		1st cat. No. replaced to CA01007
1	CA01017	. fuel tank	1		T. S. No. 000101 onward 1st cat. No. replaced to CA01017
1	CA01010	. fuel tank	1		
2	CA01080	. level gauge	1		
3	CD01110	. fuel strainer	1		
4	CD01100	. fuel cap	1		
5	2000810	. screw	1	M8 x 10	
6	CD01130	. drain plug packing	1		
7	CA01090	. banjo adapter	1		
8	CA01100	. banjo bolt	1		
9	CA01110	. copper washer	2		
10	CA01130	fuel tank band (B)	2		
11	CA01140	fuel tank band (C)	1		
12	CA01150	fuel tank band (D)	1		
13	CA01160	seating pad rubber	2		
14	3600102	spring washer	4	M10	
15	2031016	screw	4	M10 x 16	T. S. No. 000101 onward
15	2031020	screw	4	M10 x 20	1st cat. replaced to 2031016
16	2000840	screw	4	M8 x 40	
17	3000081	nut	2	M8	
18	3600082	spring washer	4	M8	
19	CA01170	fuel tank protector	1		
20	2000610	screw	1	M6 x 10	
21	3600062	spring washer	1	M6	
22	CA01210	fuel filter bracket	1		
23	2000816	screw	1	M8 x 16	T. S. No. 000101 onward
23	2000812	screw	1	M8 x 12	1st cat. replaced to 2000816
24	3600081	spring washer	1	M8	
25	3000081	nut	1	M8	
26	3500615	plain washer	1	M6	T. S. No. 000101 Add to 1st cat.

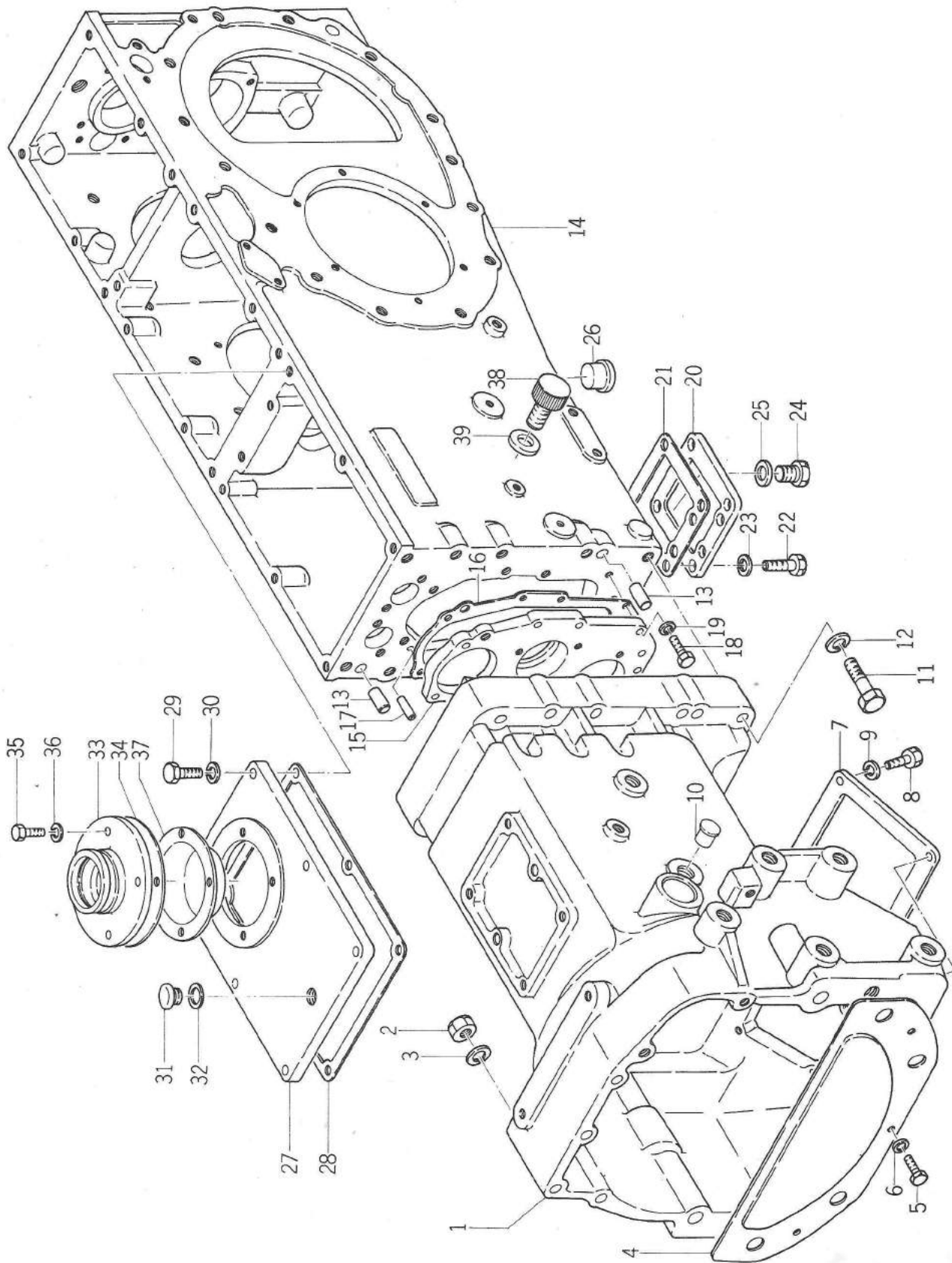
Fig. 24 THROTTLE SYSTEM



## THROTTLE SYSTEM

Ref. No.	Part No.	Description	Q'ty	Size	Remarks
1	CA02088	lever bracket	1		T. S. No. 001451 ~ onward Interchangeable (Refer to TSB1, 2, Engine)
	CA02087	throttle lever guide	1		T. S. No. 001101 ~ 001450 1st, 2nd cat. No. replaced to CA02088
	CA02080	lever bracket	1		2nd cat. Description replaced to lever bracket T.S. No. 000101 ~ 001100
2	CA02150	washer	1		
3	2425010 2415010	plus screw minus screw	3	M5 x 10	T. S. No. 000101 ~ onward 1st Cat. No. replaced to 2425010
4	3600052	spring washer	3	M5	
5	CA02020	throttle arm	1		
6	5304025 5304025 5324025	taper pin spring pin taper pin	1 1 1		T. S. No. 000101 onward 1st cat. replaced to "Taper Pin" 2nd cat. No. replaced to- 5304025
7	CA02010	throttle lever	1		
8	CA02060	washer	2		
9	CE02050	belleville washer	3		
10	3020101	nut	2	M10	
11	CA02210	spring	1		
12	CA02200	throttle wire	1		
13	5220015	cotter pin	2	M2 $\phi$ x12	
14	CA02190	throttle joint	1		
15	3000061	nut	1	M6	
16	GD21550	pin	1		
17	3500612 3500062	washer washer	1	M6	T. S. No. 000101 onward 1st, 2nd cat. No. replaced to 3500612
18	CA02170	outer stopper A	1		
19	2416012 2000612	minus screw screw	2 2	M6 x 12	T. S. No. 000101 onward 2nd cat. No. replaced to 2416012
20	3600062	spring washer	2	M6	
22	2000830 2000825	screw screw	1 1	M8 x 30 M8 x 25	T.S. No. 001451 ~ onward Interchangeable T. S. No. 001101 ~ 001450 Added on 2nd cat.
23	3000083	nut	1	M8	T. S. No. 001101 ~ Added on 2nd cat.
24	CA02300	high speed stopper collar	1	}	T.S. No. 000101 ~ 001100 Refer to TSB7 Engine
25	3000063	nut	2		
26	CA02180	outer stopper B	1		T. S. No. 001101 ~ onward Refer to TSB 8 Engine

Fig. 25 CLUTCH HOUSING AND TRANSMISSION CASE



## CLUTCH HOUSING AND TRANSMISSION CASE

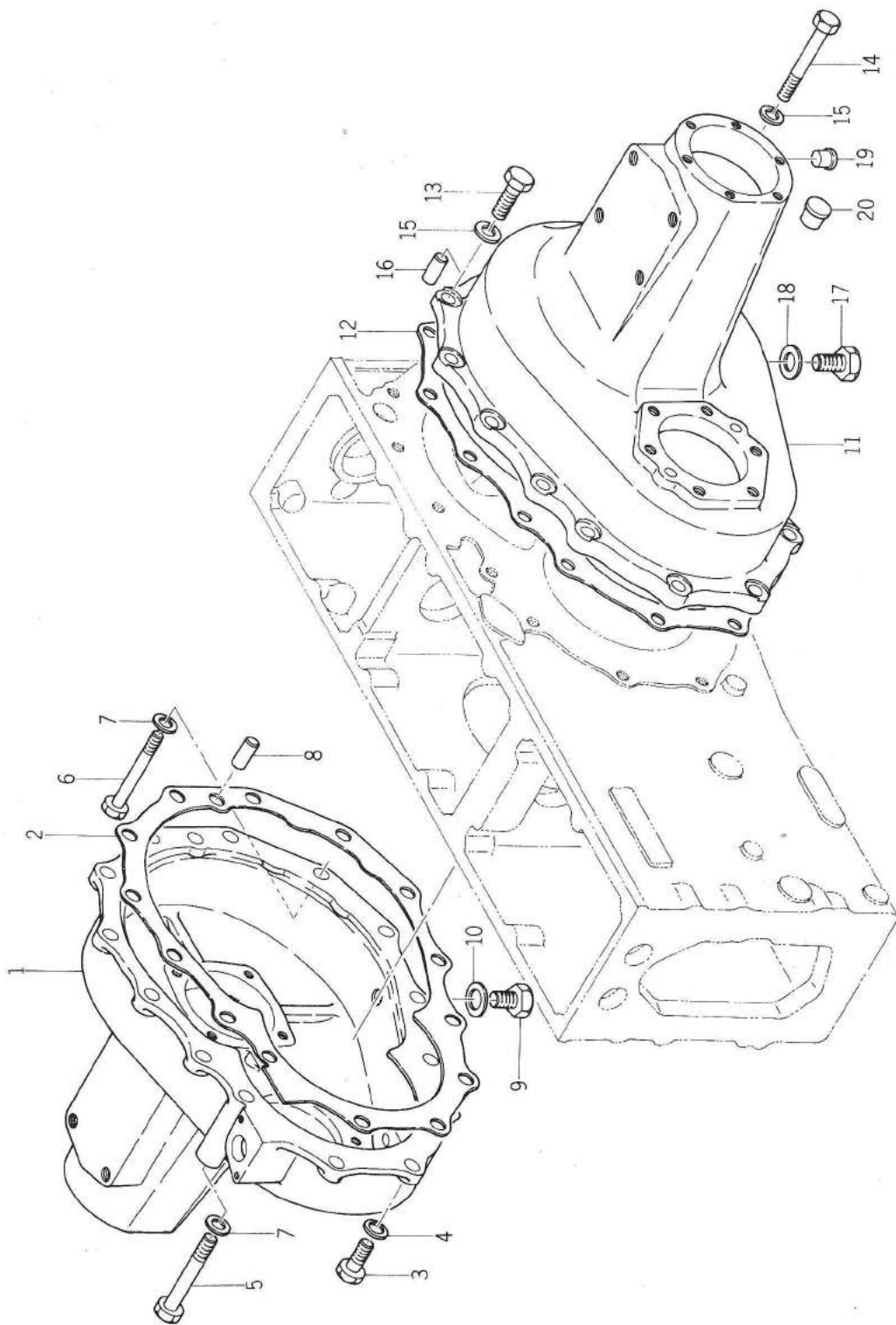
Ref. No.	Part No.	Description	Q'ty	Size	Remarks
1	CA10010	clutch housing	1		
2	3020101	nut	6	M10	T.S. No. 000101 onward 1st, 2nd cat. No. replaced to 3020101
	3020100	nut	6	M10	
3	3600102	spring washer	6	M10	
4	CA10030	rear plate	1		
5	2000612	screw	3	M6 x 12	
6	3600062	spring washer	3	M6	
7	CD10030	adjusting cover	1		
8	2000816	screw	4	M8 x 16	
9	3600082	spring washer	4	M8	
10	CD10050	cap	16	M16	T. S. No. 000101 ~ onward 1st, 2nd cat. Q'ty replaced to 16
	CD10050	cap	4	M16	
	CD10050	cap	10	M16	
11	1021260	bolt	10	M12 x 60	
12	3600122	spring washer	10	M12	
13	CD10120	dowel	2		
14	CA10110	transmission case	1		
15	CB10120	end plate	1		
16	CD10140	end plate gasket	1		
17	CD14531	dowel	2		
18	2000825	screw	6	M8 x 25	
19	3600082	spring washer	6	M8	
20	CD10150	lower cover	1		
21	CB10130	lower cover gasket	1		
22	1021025	bolt	4	M10 x 25	
23	3600102	spring washer	4	M10	
24	GA10047	magent plug	1		
25	GA10070	rubber gasket	1		
26	CE10040	cap	2	M14	
27	CD17120	upper cover	1		
28	CD17137	cover gasket	1		1st 2nd cat. No. replaced to CD17137 Interchangeable
28	CD17130	cover gasket	1		
29	2031030	screw	6	M10 x 30	
30	3600102	spring washer	6	M10	
31	DB23567	oil plug	1		T.S. No. 000101 onward 1st, 2nd cat. No. replaced to DB23567
	GE10100	oil plug	1		
32	EB10037	lubber gasket	1		
33	CD17140	ball housing	1		
34	CD17150	ball housing gasket	1		
35	2000820	screw	4	M8 x 20	

### CLUTCH HOUSING AND TRANSMISSION CASE

Ref. No.	Part No.	Description	Q'ty	Size	Remarks
36	3600082	spring washer	4	M8	
37	CD17210	spring retainer	1		
38	EL10380	oil gauge	1		
39	EL10390	rubber gasket	1		



Fig. 26 FINAL DRIVE CASE

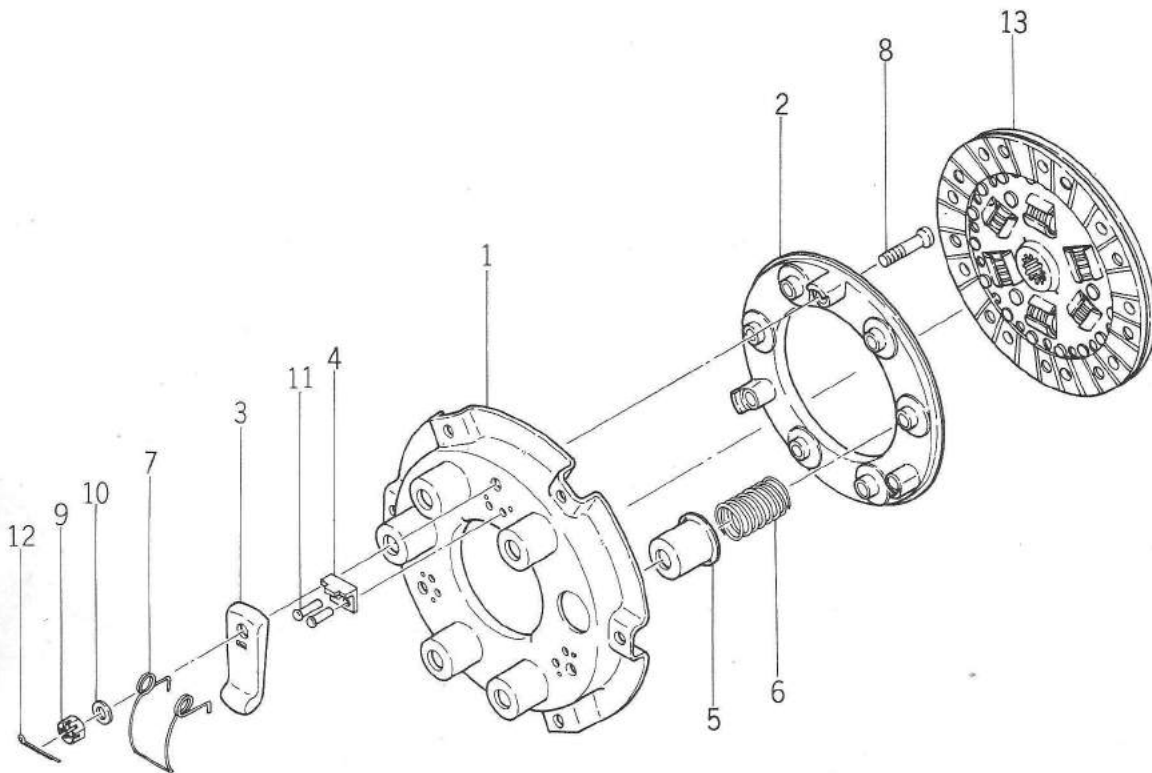




## FINAL DRIVE CASE

Ref. No.	Part No.	Description	Q'ty	Size	Remarks
1	CB10170	final drive case (R. H)	1		Refer to TSB1 Final Reduction Serial No. 001551 onward. Tapped holes replaced to 4 holes for stabilizer
2	CD10180	case gasket (R. H)	1		
3	1021235	bolt	12	M12 x 35	
4	3600122	spring washer	12	M12	
5	1021290	bolt	1	M12 x 90	For R. H. case
6	1021295	bolt	1	M12 x 95	
7	3600122	spring washer	2	M12	
8	CD10190	dowel	1		
9	GA10047	magent plug	1		
10	GA10070	rubber gasket	1		
11	CB10210	final drive case (L. H)	1		TSB1 Final Reduction Serial No. 001551 onward Tapped holes replaced to 4 holes for stabilizer
12	CD10220	case gasket (L. H)	1		
13	1021235	bolt	13	M12 x 35	
14	1021295	bolt	1	M12 x 95	
15	3600122	spring washer	14	M12	
16	CD10190	dowel	1		
17	GA10047	magnet plug	1		
18	GA10070	rubber gasket	1		
19	CD10181	cap	4	M12	T. S. No. 000101 ~ onward Add to 1st cat.
19	CD10181	cap	4	M12	T. S. No. 100001 onward Deleted
20	CD10050	cap	4	M16	T. S. No. 000101 ~ onward Add to 1st cat.
20	CD10050	cap	4	M16	T. S. No. 100001 onward Deleted

Fig. 27 CLUTCH GROUP

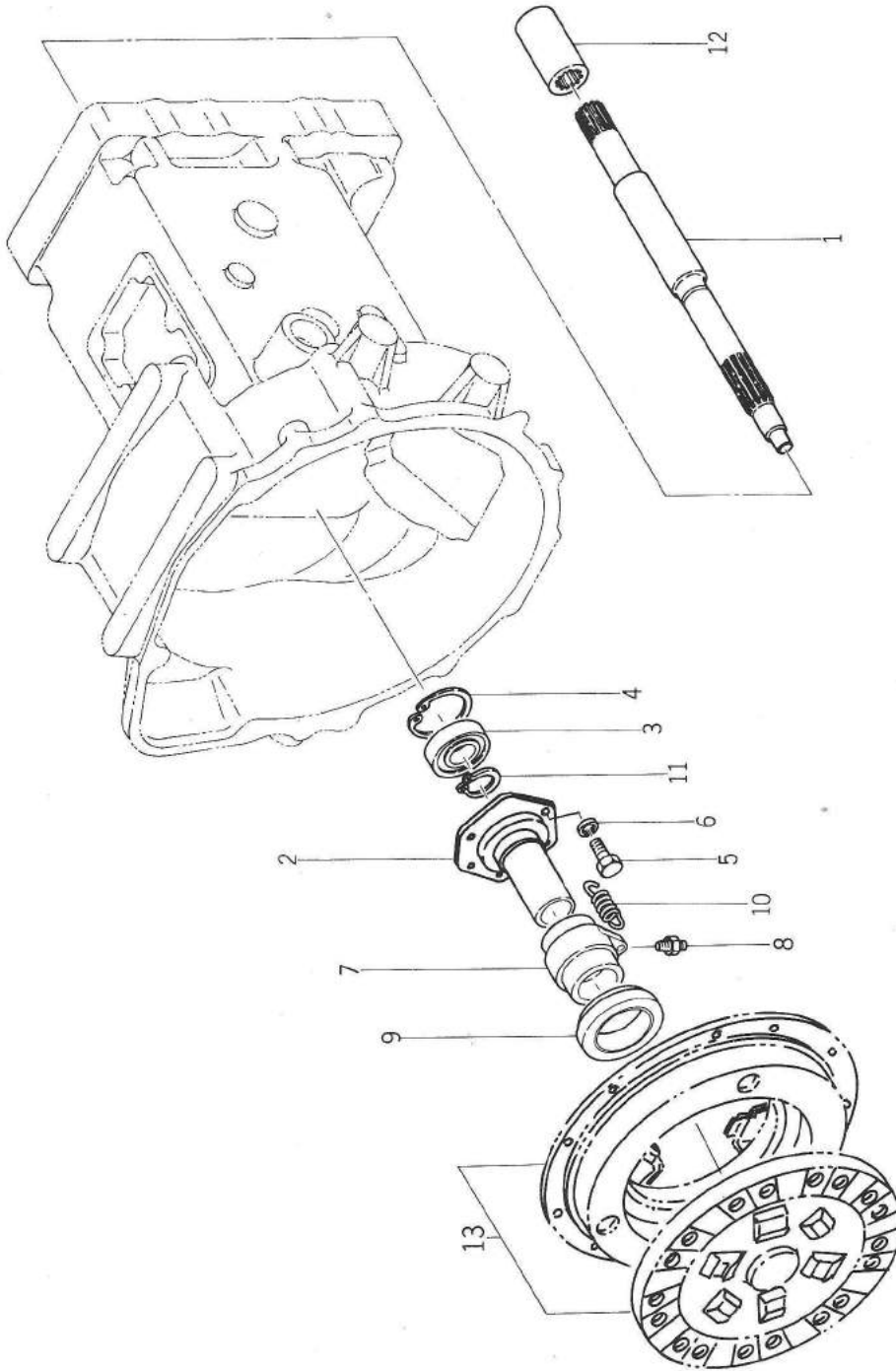


## CLUTCH GROUP

Ref. No.	Part No.	Description	Q'ty	Size	Remarks
	CA11020	clutch ass'y pressure plate ass'y	1		
1	CA11040 CA11030	. clutch cover	1		T. S. No. 000101 onward 1st cat. No. replaced to CA11040
2	CA11050 CA11040	. pressure plate	1		T. S. No. 000101 onward 1st cat. No. replaced to CA11050
3	CA11060 CA11050	. release lever	3		T. S. No. 000101 onward 1st cat. No. replaced to CA11060
4	CA11070 CA11060	. lever seat	3		T. S. No. 000101 onward 1st cat. No. replaced to CA11070
5	CA11080 CA11070	. spring cap	6	CA11020	T. S. No. 000101 onward 1st cat. No. replaced to CA11080
6	CA11090 CA11080	. pressure spring	6	CA11030	T. S. No. 000101 onward 1st cat. No. replaced to CA11090
7	CA11100 CA11090	. return spring	3		T. S. No. 000101 onward 1st cat. No. replaced to CA11100
8	CA11110 CA11100	. bolt, lever	3		T. S. No. 000101 onward 1st cat. No. replaced to CA11110
9	CA11120	. nut, lever	3		T. S. No. 000101 onward
9	CA11110		3		1st cat. No. replaced to CA11120
10	CA11130	. washer, release	3		T. S. No. 000101 onward
10	CA11120		3		1st cat. No. replaced to CA11130
11	CA11140 CA11130	. rivet	6		T. S. No. 000101 onward 1st cat. No. replaced to CA11140
12	CA11150	. cotter pin	3		T. S. No. 000101 onward
12	CA11140		3		1st cat. No. replaced to CA11150
13	CA11160	. clutch disc ass'y	1		T. S. No. 000101 onward
13	CD11230		1		1st cat. No. replaced to CA11160

NOTE: See Page 14 (Fig. No. 6, Ref No. 16, 17 18) on Set Bolts Clutch Ass'y.

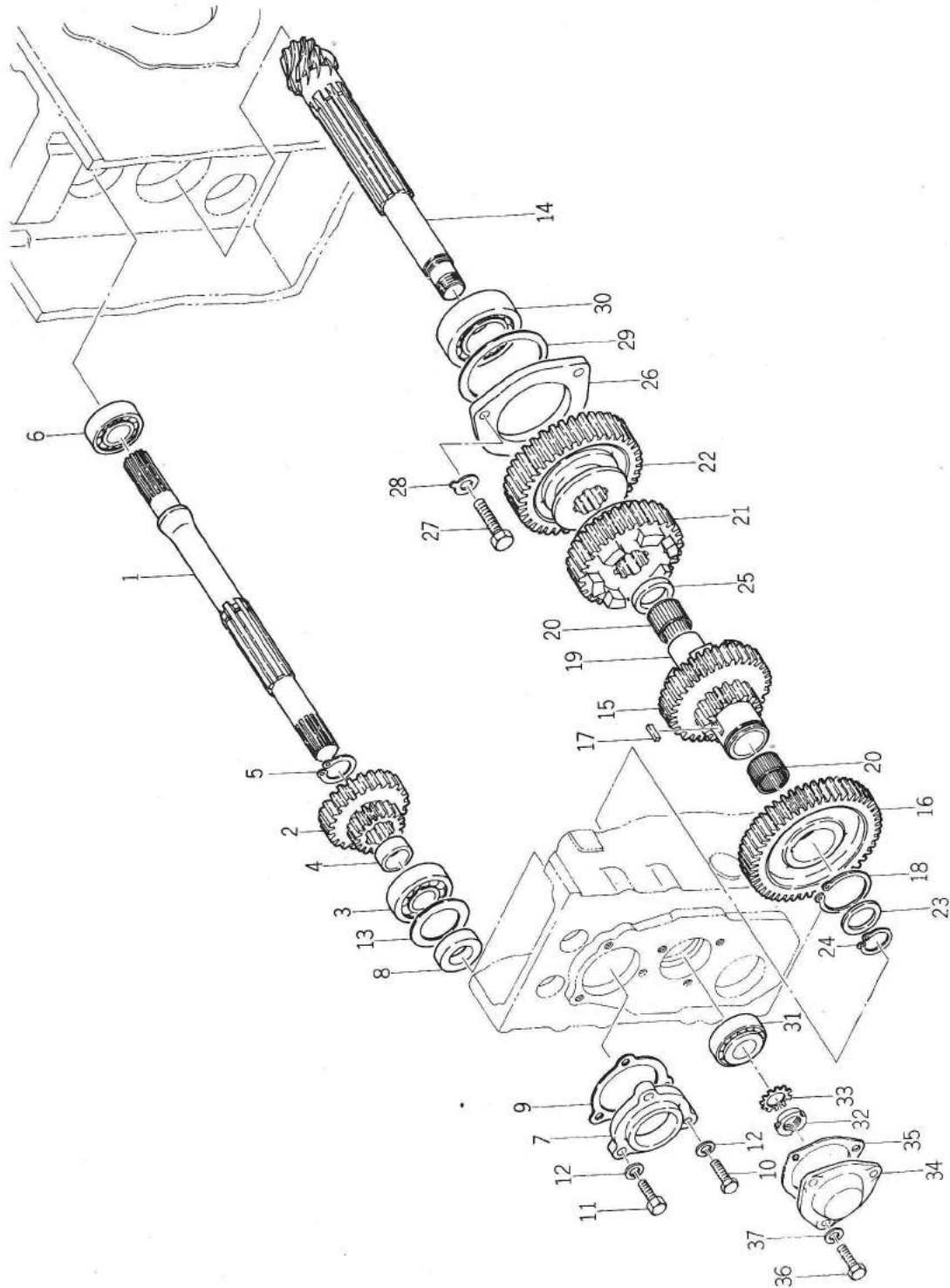
Fig. 28 CLUTCH DRIVE SHAFT



## CLUTCH DRIVE SHAFT

Ref. No.	Part No.	Description	Q'ty	Size	Remarks
1	CA11010	clutch drive shaft	1		
2	CD11020	support snout	1		
3	B062054	ball bearing	1	#6205DD	
4	7410052	circlip	1		
5	2000825	screw	3	M8 x 25	
6	3600082	spring washer	3	M8	
7	CD11030	thrust bearing carrier	1		
8	6500006	grease nipple	1		
9	45TNK84	thrust bearing	1		45TNK804
10	CD11047	spring	1		
11	7400025	circlip	1	M25	
12	CD1105K	muff coupling	1		1st, 2nd cat. Description replaced to muff capling
13		clutch ass'y	1		to see Fig. 27

Fig. 29 RANGE SHAFT



## RANGE SHAFT

Ref. No.	Part No.	Description	Q'ty	Size	Remarks
1	CD12010	range shaft	1		
2	CB12010	range pinion	1	23T×17T	T. S. No. 100200 inward
2	CA12010	range pinion	1	31T×17T	T. S. No. 100201 onward
3	B063050	ball bearing	1	#6305	Refer to TSB0002 Transmission
4	CD12030	collar, range shaft	1		
5	7400030	circlip	1	M30	
6	B062050	ball bearing	1	#6205	
7	CD12040	end cover	1		
8	T254511	oil seal	1	TC254511	
9	CD12050	end cover gasket	1		
10	2000825	screw	1	M8 x 25	
11	2000835	screw	2	M8 x 35	
12	3600082	spring washer	3	M8	
13	CD12060	shim	1		
14	CB1301A	drive pinion shaft (8T)	1		with Fig. 31-3 Not saleable
	CB1302A	driven gear ass'y	1		T. S. No. 000101 ~ 100200
15	CB1302K	. driven gear (A)	1	36T	2nd cat. Not saleable changed to Saleable
16	CB1303K	. driven gear (B)	1	51T	
17	CD13040	. key	2		
18	7400048	. circlip	1	M48	
	CA1301A	driven gear ass'y	1		
15	CA13010	. driven gear (A)	1	37T	T. S. No. 100201 onward Refer to TSB0002 Transmission
16	CB1303K	. driven gear (B)	1	51T	
17	CD13040	. key	2		
18	7400048	. circlip	1	48	
19	CB13040	insert collar	1		
20	K303513	needle roller bearing	2		
21	CB13060	shift gear (S)	1	35T	T. S. No. 100200 inward T. S. No. 100201 onward Refer to TSB0002 Transmission
	CA13020	shift gear (S)	1	34T	
22	CD13077	shift gear (L)	1	39T	
23	CB13071	thrust liner (A)	AR	t = M3.0	
	CB13072	thrust liner (A)	AR	t = M3.2	
24	7400030	circlip	1	M30	
25	CB13080	thrust liner (B)	1		
26	CD13100	baffle plate	1		
27	CD13101	bolt	3	M10 x 25	T. S. No. 000101 onward 1st, 2nd cat. No. replaced to CD13101
	2031025	screw	3	M10 x 25	
28	CD13117	stopper washer	3		
29	CD15591	shim	AR	t = M0.4	(T. S. No. 000101 onward) (T. S. No. 000101 onward) (T. S. No. 000101 onward) (T. S. No. 000101 onward) Interchangeable
	CD15592	shim	AR	t = M0.6	
	CD15593	shim	AR	t = M0.8	
	CD15594	shim	AR	t = M1.0	

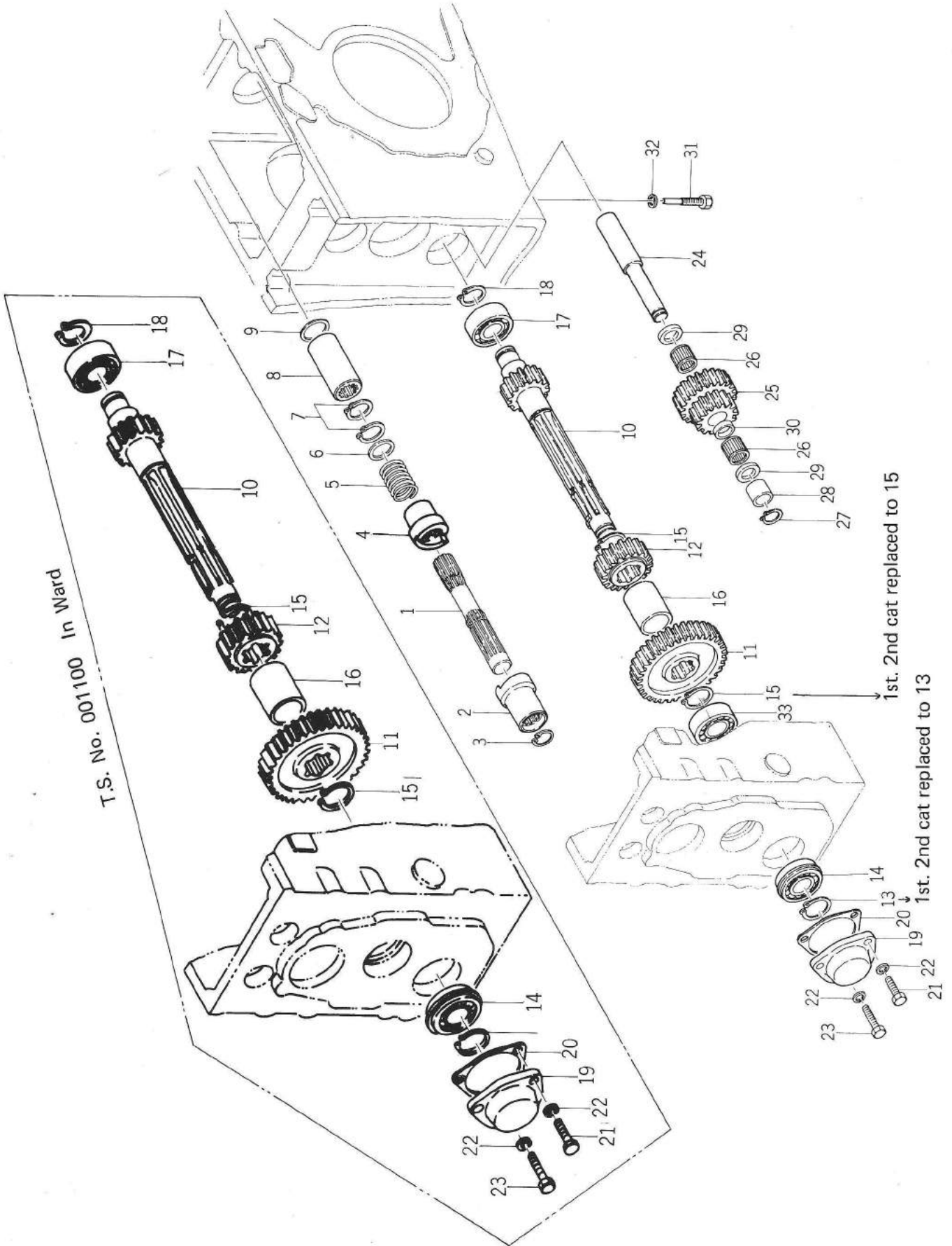
## RANGE SHAFT

Ref. No.	Part No.	Description	Q'ty	Size	Remarks
29	CD13121	shim	AR	t = M0.4	(1st, 2nd cat.) No. replaced to CD15591 ~ 15594
	CD13122	shim	AR	t = M0.6	
	CD13123	shim	AR	t = M0.8	
	CD13124	shim	AR	t = M1.0	
30	CB13090	taper roller bearing	1	#30308D	
31	CE13090	taper roller bearing	1	#30305D	
32	3271250	lock nut	1	M25	T. S. No. 000101 onward
	3271200	lock nut	1	M20	1st cat. No. replaced to 3271250
33	3280250	tab washer	1	M25	T. S. No. 000101 onward
	3280200	tab washer	1	M20	1st cat. No. replaced to 3280250
34	EG12060	washer	1		T. S. No. 000101 onward Deleted
34	CB13110	end plate	1		
35	CB13110	end palte	1		1st cat. Ref. No. replaced to 34
35	CB13120	gasket, end plate	1		
36	CB13120	gasket, end plate	1		1st cat. Ref. No. replaced to 35
36	2000825	screw	3	M8 x 25	
37	2000825	screw	3	M8 x 25	1st cat. Ref. No. replaced to 36
37	3600082	spring washer	3	M8	
38	3600082	spring washer	3	M8	1st cat. Ref. No. replaced to 37





Fig. 30 DRIVE SHAFT



## DRIVE SHAFT

Ref. No.	Part No.	Description	Q'ty	Size	Remarks
1	CD12517	drive shaft	1		
2	CD12530	one way clutch (A)	1		
3	7410026	circlip	1	M26	
4	CD12540	one way clutch (B)	1		
5	CD12550	spring, one way clutch	1		
6	CD12560	washer	1		
7	7400024	circlip	2	M24	
8	CD12520	coupling sleeve	1		
9	7312504	shim	AR		
10	CB13530	lay shaft	1		T. S. No. 000101 ~ 001100 Refer to TSB-0001 Transmission (0019)
10	CA13510	lay shaft	1		T. S. No. 001101 ~ onward
11	CB1351K	lay shaft gear (L)	1	35T	
12	CB1352K	lay shaft gear (M)	1	18T	T. S. No. 000101 ~ 100200
12	CA13530	lay shaft gear (M)	1	19T	T. S. No. 100201 ~ onward Refer to TSB0002 Transmission
13	7400025	circlip	1	M25	T. S. No. 000101 ~ 001100
13	7400020	circlip	1	M20	T. S. No. 001101 ~ onward
13	7400030	circlip	1	M30	2nd cat. No. replaced to 7400020
14	B062055	ball bearing	1	#6206NR	T. S. No. 000101 ~ 001100
14	B063045	ball bearing	1	#6304NR	T. S. No. 001101 ~ onward
15	7400030	circlip	2	M30	T. S. No. 000101 onward
15	7400020	circlip	2	M20	2nd cat. No. replaced to 7400030
16	CD13550	distance collar	1		
17	B062050	ball bearing	1	#6205	
18	7400025	circlip	1	M25	
19	CD13560	end plate	1		T. S. No. 000101 ~ 001100
19	CA13520	end plate	1		T. S. No. 001101 ~ onward
20	CD13570	gasket	1		
21	2000825	screw	2	M8 x 25	
22	3600082	spring washer	3	M8	
23	2000835	screw	1	M8 x 35	
24	CB14010	reverse shaft	1		
25	CB14020	reverse gear	1	15T,22T	T. S. No. 000101 ~ 100200
25	CA14010	reverse gear	1	14T,22T	T. S. No. 100201 ~ Refer to TSB0002 Transmission
26	K202620	needle roller bearing	2		
27	7400020	circlip	1	M20	
28	CB14030	bush, reverse shaft	1		

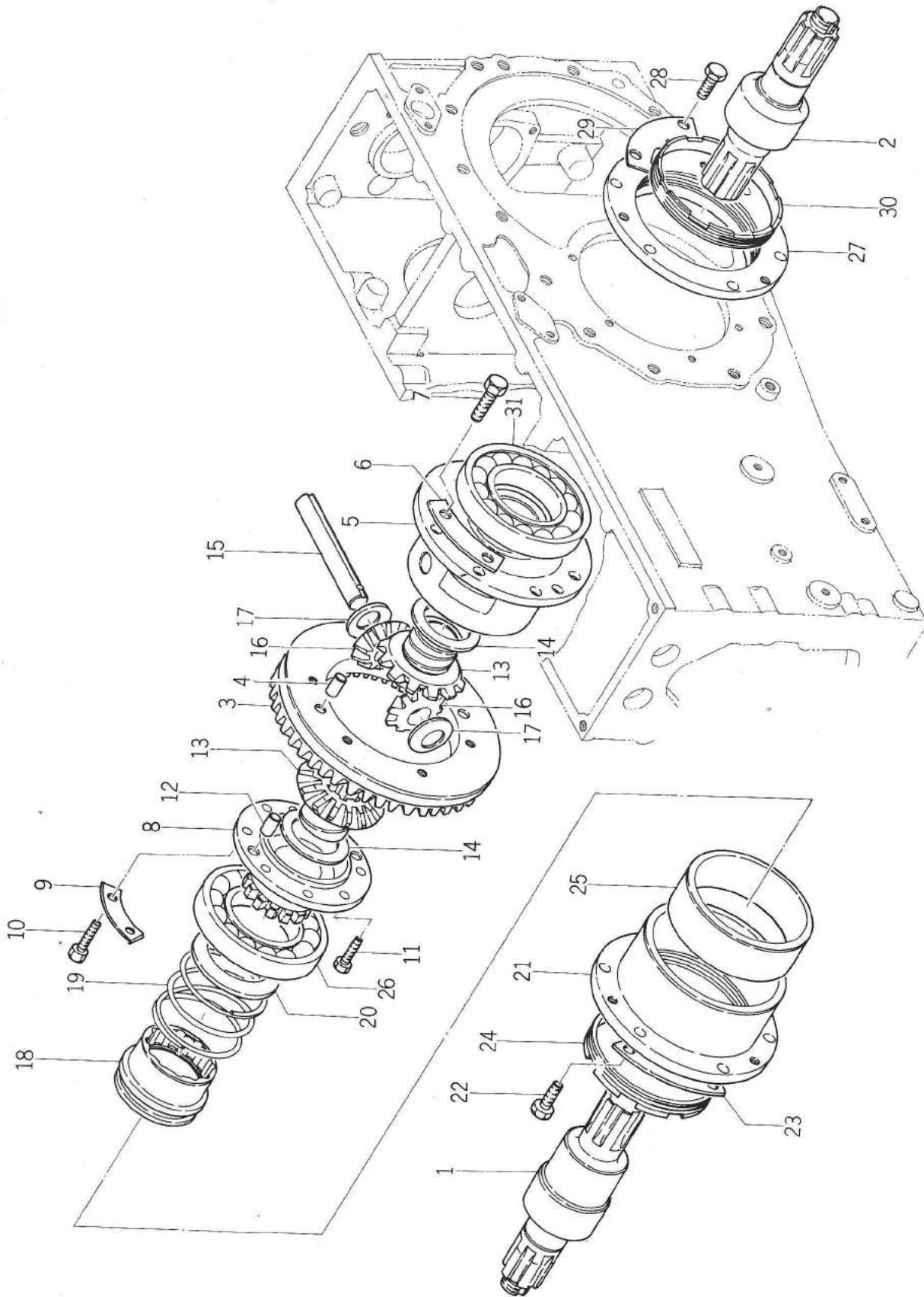
## DRIVE SHAFT

Ref. No.	Part No.	Description	Q'ty	Size	Remarks
29	CB14041	thrust liner	2	t = M3.0	See "repair manual" transmission page 7
	CB14042		AR	t = M3.2	
30	CB14060	insert collar	1		
31	CD14060	locating bolt	1		
32	3600082	spring washer	1	M8	
33	BON0304	roller bearing	1	NF304	T. S. No. 001101 ~ onward Refer to TSB-0001 Transmission (0019)

SERVICE MEMO

Dotted lines for writing content

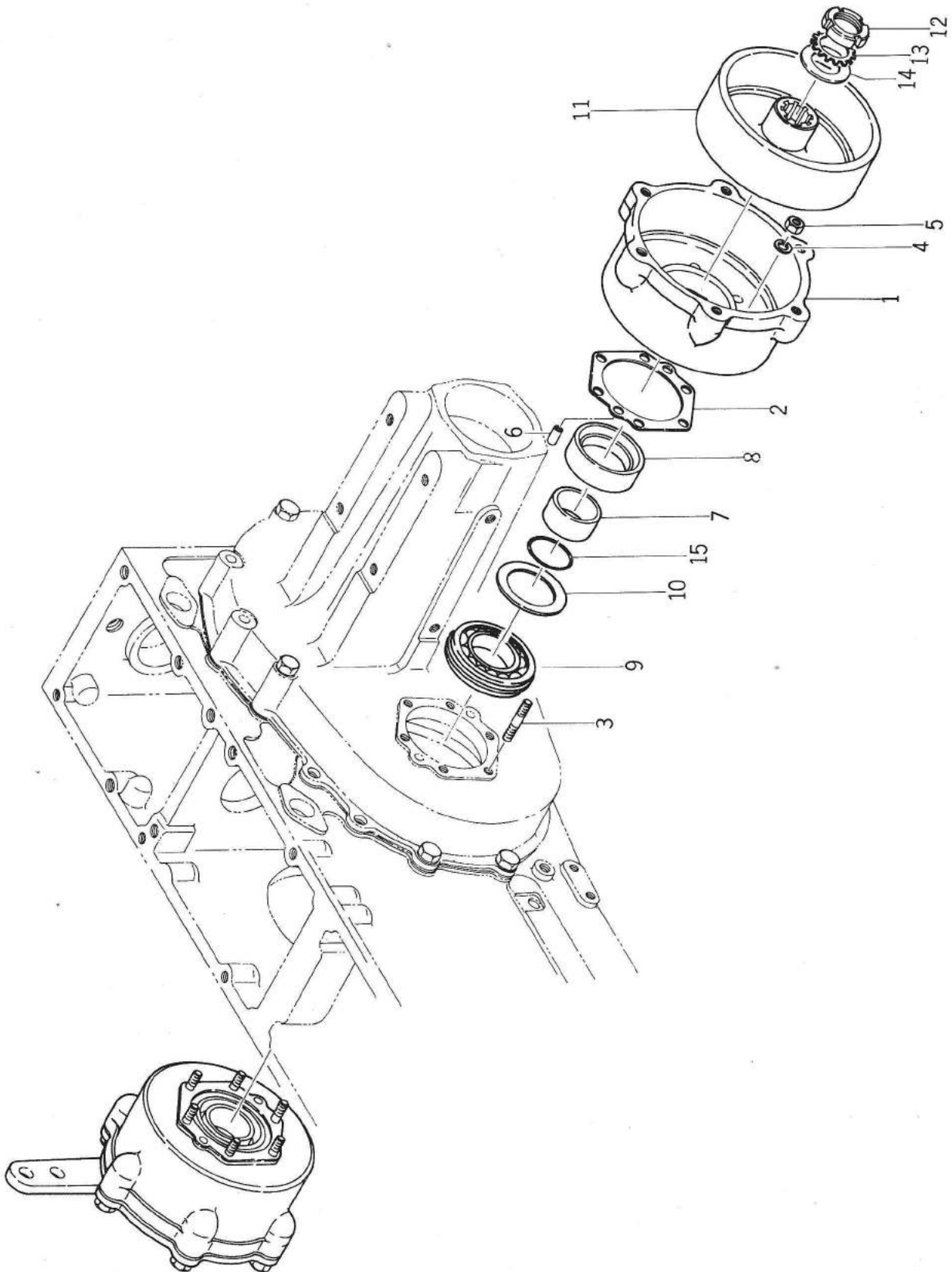
Fig. 31 DIFFERENTIAL



## DIFFERENTIAL

Ref. No.	Part No.	Description	Q'ty	Size	Remarks
1	CB1451K	pinion shaft (R. H)	1		
2	CB1452K	pinion shaft (L. H)	1		
	CD1450Z	differential ass'y	1		T. S. No. 000101 ~ onward 1st, 2nd cat. No. replaced to CD1450Z with Fig. 29-14
	CB1450K	differential ass'y	1		
3	CD14530	. spiral gear	1		
4	CD14531	. dowel	2		
5	CB14530	. cage	1		
6	CD14550	. stopper washer (A)	4		
7	2031020	. screw	8	M10 x 20	
8	CB1454K	. end plate	1		
9	CB14560	. stopper washer	4		
10	CD14571	. bolt (7T)	7	M8 x 20	T. S. No. 000101 ~ onward
	2000820	. screw	7	M8 x 20	1st, 2nd cat. No. replaced to CD14571
11	CD14572	. bolt (7T)	1	M8 x 30	T. S. No. 000101 ~ onward
	2000830	. screw	1	M8 x 30	1st, 2nd cat. No. replaced to CD14572
12	CD14531	. dowel	2		
13	CB1457V	. side gear	2		T. S. No. 000101 onward 1st, 2nd cat. No. replaced to CB1457V
	CB14570	. side gear	2		
14	CB14581	. thrust seat	AR	t = 1.2	} 2 pcs/unit
	CB14582	. thrust seat	AR	t = 1.4	
	CB14583	. thrust seat	AR	t = 1.6	
15	CB14590	. cetner pin	1		
16	CB14610	. differential pinion	2		
17	CB14620	. diff pinion seat	2		
18	CB14630	locking sleeve	1		
19	CD14640	return spring	1		
20	CD14650	spring retainer	1		
21	CD14660	bearing holder (R. H)	1		
22	2031020	screw	6	M10 x 20	
23	CD14670	stopper washer (C)	3		
24	CD14687	adjuster wheel	1		
25	CD14690	bearing holder collar	1		
26	B062130	ball bearing	1	#62130	
27	CD14700	bearing holder (L. H)	1		
28	2031020	screw	6	M10 x 20	
29	CD14670	stopper washer (C)	3		
30	CD14687	adjuster wheel	1		
31	B062130	ball bearing	1	#62130	

Fig. 32 BRAKE HOUSING

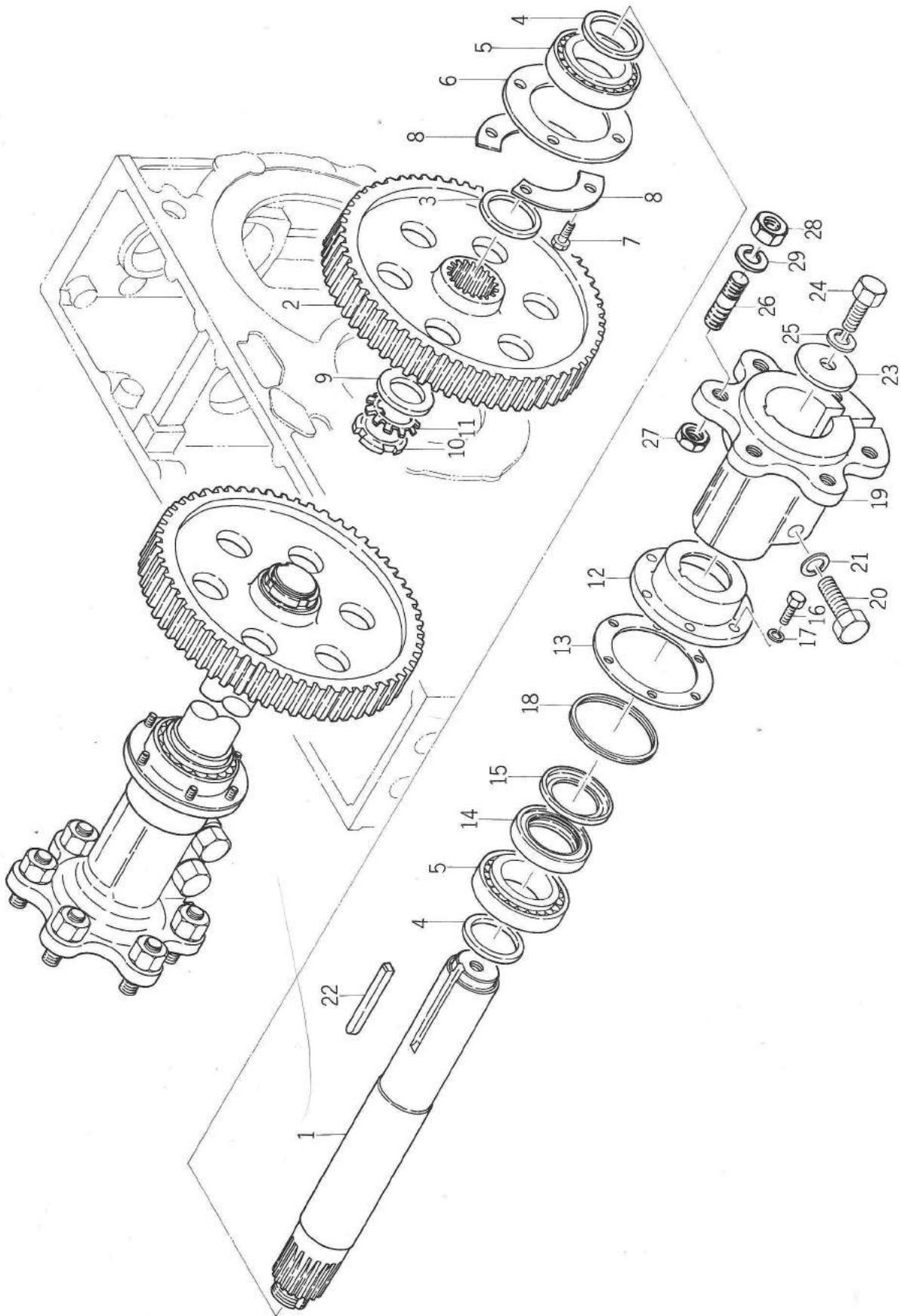




## BRAKE HOUSING

Ref. No.	Part No.	Description	Q'ty	Size	Remarks
1	CD14710	brake housing	2		
2	CD14720	gasket	2		
3	CD14721	stud	12	M10	
4	3600102	spring washer	12	M10	
5	3020101	nut	12	M10	
6	CD14531	dowel	4		
7	CD14730	collar bushing	2		
8	M507215	oil seal	2	M507215B	
9	B063085	ball bearing	2	#6308NR	
10	CD14740	liner	2		
11	CB14640	brake drum	2		
12	3271250	lock nut	2	M25	
13	3280250	tab washer	2	M25	
14	CD14760	washer	2		
15	8310390 8300390	O-ring	2	M39	T. S. No. 000101 ~ onward 1st, 2nd cat. No. replaced to 8310390

Fig. 33 FINAL DRIVE

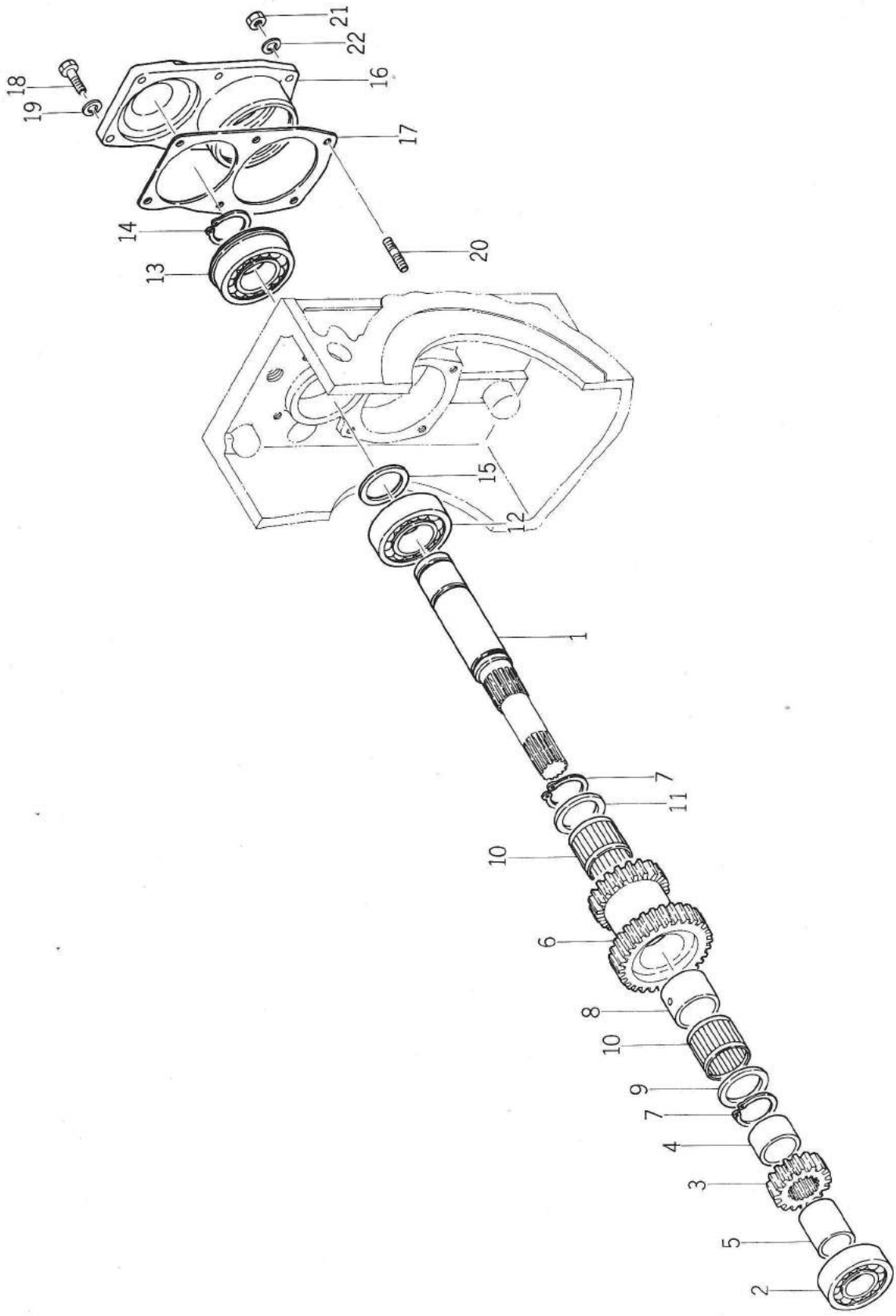


## FINAL DRIVE

Ref. No.	Part No.	Description	Q'ty	Size	Remarks
1	CD1551K	final drive shaft	2		
2	CB15510	spur wheel	2	58T	
3	CD15530	wheel shaft liner	2		
4	CD15630	collar	4		
5	B032210	taper roller bearing	4	#32210	
6	CD15540	baffle plate	2		
7	2031020	screw	8	M10 x 20	P = 1.25
8	CD15550	stopper washer	4		
9	CD15560	washer	2		
10	3270350	lock nut	2	M35	NACHI-AN07
11	3280350	tab washer	2	M35	NACHI-AW07
12	CD15570	oil seal housing	2		
13	CD15580	gasket	2		
14	T507212	oil seal	2	TC507212	
15	V050726	oil seal	2	VC50726	T. S. No. 000101 onward
	V050726	oil seal	2	VC507206	1st cat. Size replaced to VC50726
16	2000825	screw	12	M8 x 25	
17	3600082	spring washer	12	M8	
18	CD15591	shim	AR	t = 0.2	
18	CD15592	shim	AR	t = 0.4	
18	CD15593	shim	AR	t = 0.8	
18	CD15594	shim	AR	t = 0.1	
19	CA15510	wheel boss	2		
20	1021650	bolt	4	M16 x 50	P1.5
21	3600162	spring washer	4	M16	
22	CD1561K	key	2		
23	CD15620	washer	2		
24	2031630	screw	2	M16 x 30	P1.5
25	3600162	spring washer	2	M16	
26	1321632	stud	12	M16 x 32	P1.5
27	3020163	nut	12	M16	P1.5
28	3020161	nut	12	M16	P1.5
29	3600162	spring washer	12	M16	
	CA1551A	wheel boss set	2		with 19 ~ 21, 26 ~ 29



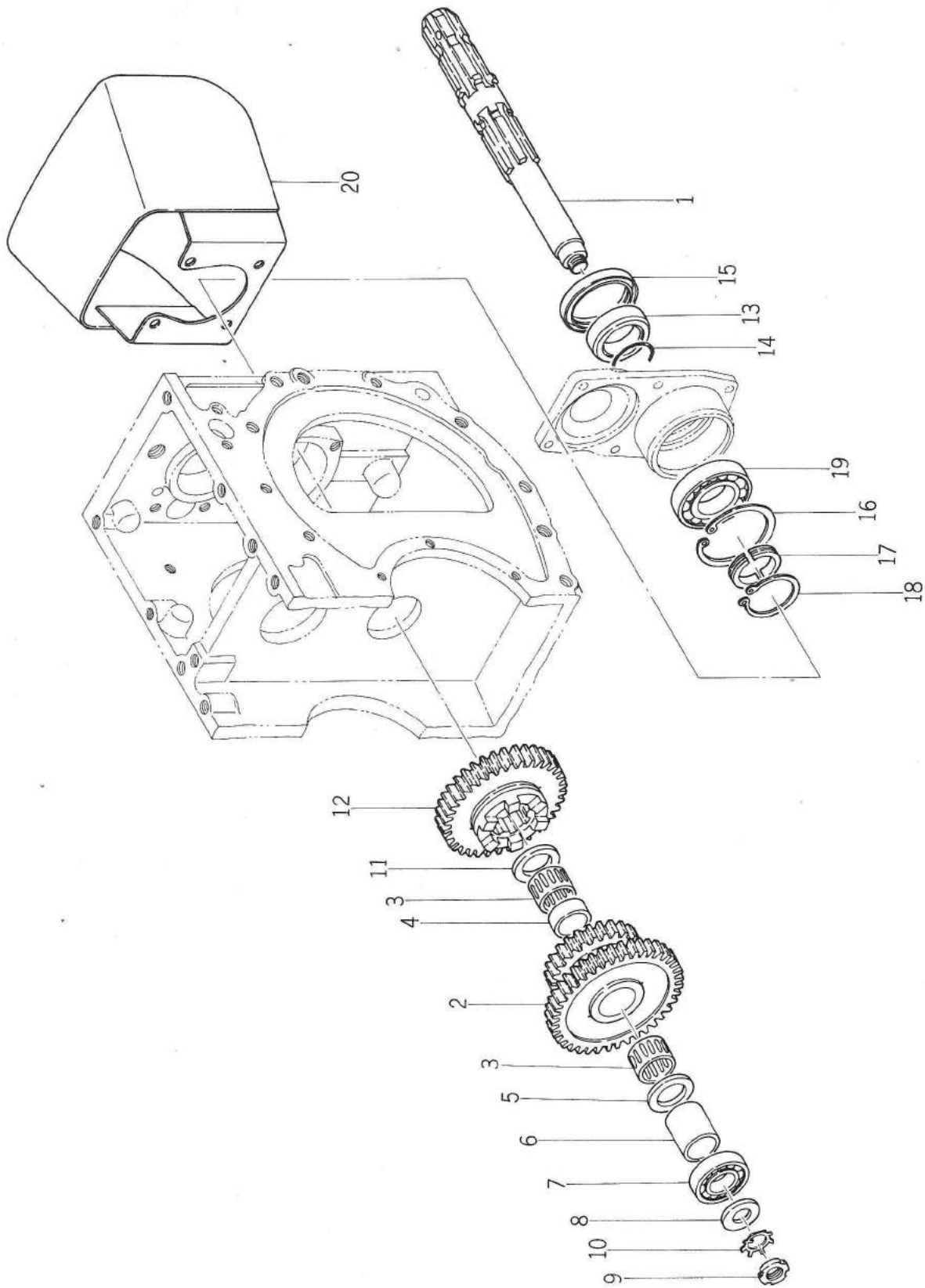
Fig. 34 P.T.O. DRIVE SHAFT



## P. T. O. DRIVE SHAFT

Ref. No.	Part No.	Description	Q'ty	Size	Remarks
1	CA16010	p. t. o. drive shaft	1		
2	B063050	ball bearing	1	#6305	
3	CA16020	p. t. o. drive gear (A)	1	16T	
4	CA16030	collar (A)	1		
5	CA16040	collar (B)	1		
6	CA16050	counter gear	1	21T, 31T	
7	7400035	circlip	2	M35	
8	CB16040	collar	1		
9	CB16061	thrust washer	AR	t = M3.0	
9	CB16062	thrust washer	AR	t = M3.2	
9	CB16063	thrust washer	AR	t = M3.5	
10	K354230	needle roller bearing	2	#354230	T. S. No. 000101 onward
	K354230	needle roller bearing	2	K354230	1st, 2nd cat. replaced to #354230
11	CB16061	thrust washer	1		
12	B062073	ball bearing	1	#6207D	T. S. No. 000101 onward
	B562073	ball bearing	1	#6207D	1st cat. No. replaced to B062073
13	B062075	ball bearing	1	#6207NR	
14	7400035	circlip	1	M35	
15	7313510	liner	1		
16	CB16070	end plate	1		
17	CB16080	end plate gasket	1		
18	2000825	screw	2	M8 x 25	
19	3600082	spring washer	2	M8	
20	1320820	stud	4	M8 x 20	T. S. No. 000101 onward
	1328020	stud	4	M8 x 20	1st, 2nd cat. No. replaced to 1320820
21	3000081	nut	4	M8	
22	3600082	spring washer	4	M8	

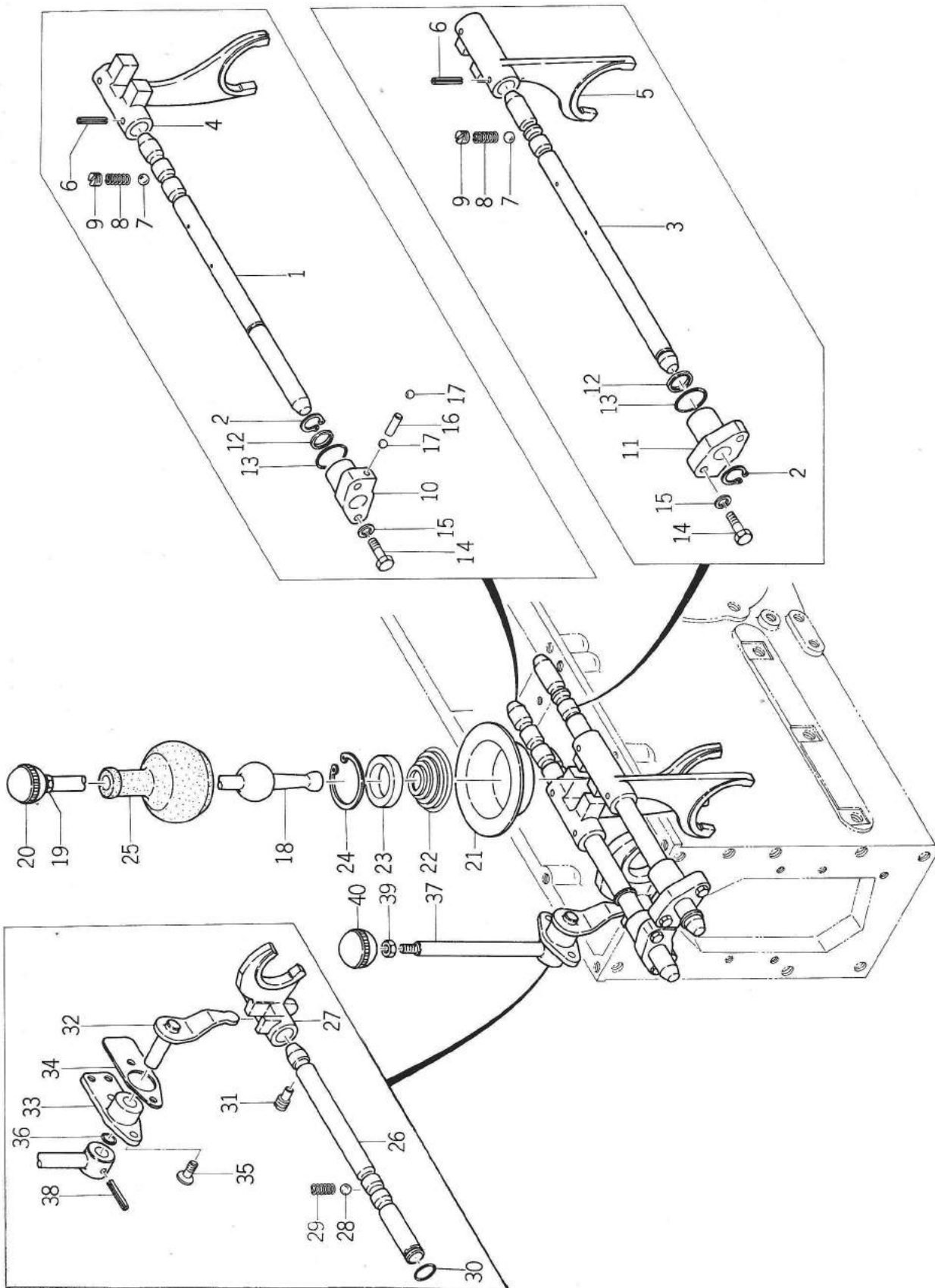
Fig. 35 P.T.O. SHAFT



## P. T. O. SHAFT

Ref. No.	Part No.	Description	Q'ty	Size	Remarks
1	CD16519	p. t. o. shaft	1		
2	CA16520	p. t. o. gear (A)	1	41T. 27T	T. S. No. 000101 onward
2	CA16250	p. t. o. gear (A)		41T. 27T	2nd cat. No. replaced to CA16520
3	K263422	needle roller bearing	2	K263422	
4	CA16530	collar, p. t. o. shaft	1		
5	CD1654X	thrust washer, p. t. o. shaft	AR		T. S. No. 000101 onward
5	CD1654S	thrust washer, p. t. o. shaft	AR		1st, 2nd cat. No. replaced to CD1654X
	CD1654Y	thrust washer, p. t. o. shaft	AR		T. S. No. 000101 onward
	CD1654M	thrust washer,	AR		1st, 2nd cat. No. replaced to CD1654Y
6	CA16040	collar (B)	1		T. S. No. 000101 onward
	CA16040	collar, p. t. o. gear (A)	1		1st, 2nd cat. Description replaced to collar (B)
7	B062050	ball bearing	1	#6205	
8	CD16570	washer	1	M17	
9	3271170	lock nut	1	M17	
10	3280170	tab washer	1		
11	CD1654X	thrust washer	1		T. S. No. 000101 onward
11	CD1654S	thrust washer	1		1st, 2nd cat. No. replaced to CD1654X
12	CB16520	p. t. o. gear (B)	1	37T	
13	CD16597	collar, oil seal	1		
14	8310350	O-ring	1	M35	
15	T055709	oil seal	1	TC55709	
16	7410072	circlip	1	M72	
17	CD16600	stopper ring	2		
18	7400042	circlip	1	M42	
19	B062070	ball bearing	1	#6207	
20	CA31507	p. t. o. guard ass'y	1		T. S. No. 000101 onward
20	CA31500	p. t. o. guard ass'y	1		1st cat. No. replaced to CA31507
20	CA31507	p. t. o. cover ass'y	1		2nd cat. Description replaced to "guard"

Fig. 36 SELECTOR MECHANISM

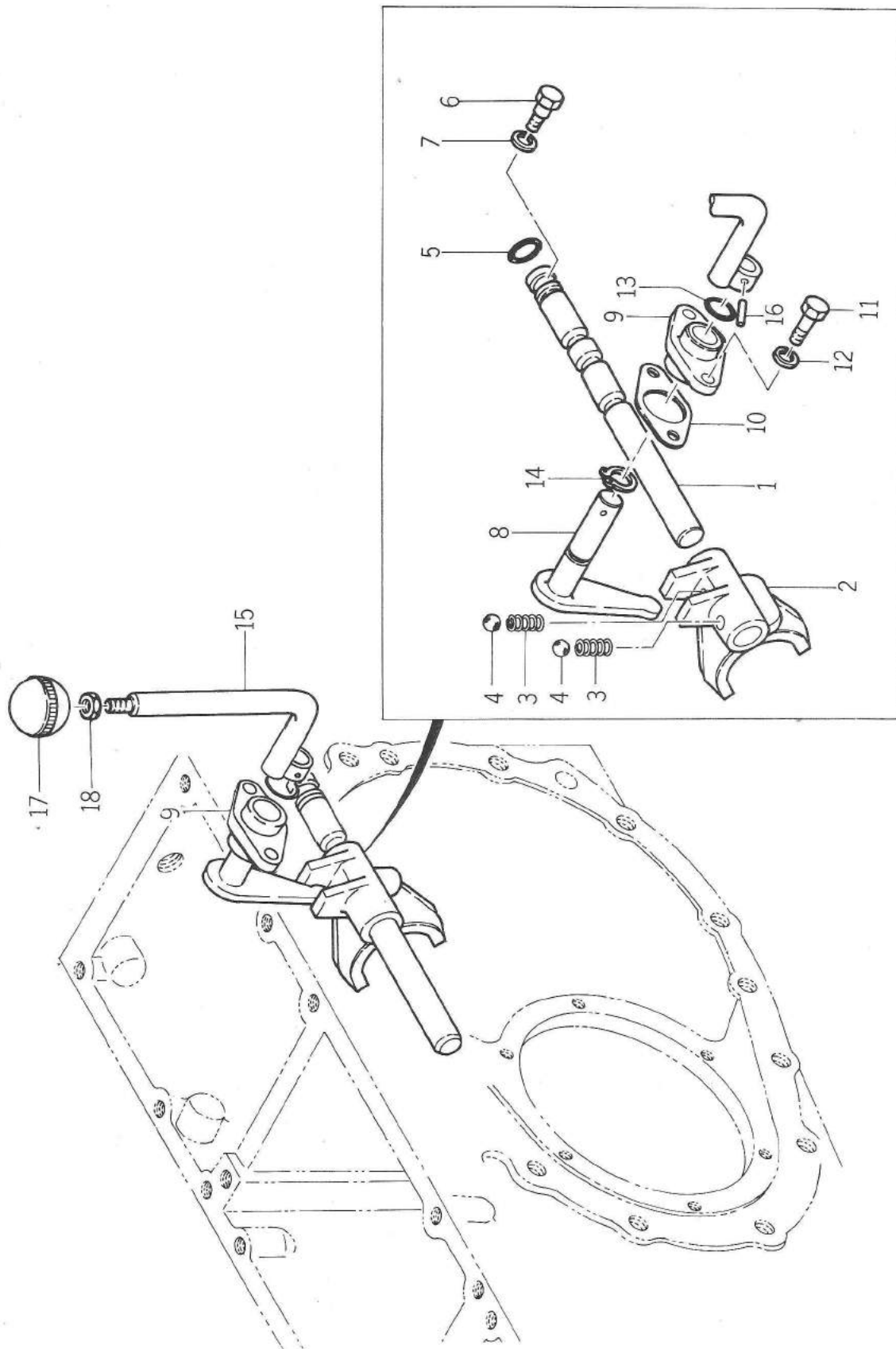




## SELECTOR MECHANISM

Ref. No.	Part No.	Description	Q'ty	Size	Remarks
1	CD17030	selector rod (A)	1		
2	7400019	circlip	2	M19	
3	CD17040	selector rod (B)	1		
4	CD17057	selector fork (A)	1		
5	CD17067	selector fork (B)	1		
6	5506032	spring pin	4		
7	8000010	selector ball	2	M10 $\phi$	
8	CD17070	selector spring	2		
9	CD17080	set screw	2		
10	CD1709R	selector rod housing (R. H)	1		
11	CD1709L	selector rod housing (L. H)	1		
12	CD17100	X-ring	2		
13	8350250	O-ring	2	M25	
14	2000830	screw	4	M8 x 30	
15	3600082	spring washer	4	M8	
16	CD17110	gear rocker	1		
17	8000008	selector ball	2	M8 $\phi$	
18	CD17161	selector lever	1		T. S. No. 000101 onward
18	CD1717K	selector lever	1		1st. 2nd cat No. replaced to CD17161
19	3000083	nut	1	M8	
20	6900083	knob	1		
21	CD17210	spring retainer	1		
22	CD17190	spring	1		
23	CD17180	support plate	1		
24	7410047	circlip	1	M47	
25	CD17207	dirt excluder	1		
26	CD17220	range selector rod	1		
27	CD17230	range selector fork	1		
28	8000010	selector ball	1	M10 $\phi$	
29	CD17070	selector spring	1		
30	8310150 8310015	O-ring	1	M15	T. S. No. 000101 onward 1st, 2nd cat. No. replaced to 8310150
31	CD17240	set screw	1		
32	CD1725F	range selector	1		
33	CA17010	range selector plate	1		
34	CA17020	plate gasket	1		
35	2218016	minus screw	2	M8 x 16	
36	8310160	O-ring	1	M16	
37	CA17030	range lever	1		
38	5506028	spring pin	1		
39	3000083	nut	1	M8	
40	6900083	knob	1		

Fig. 37 P.T.O. SELECTOR MECHANISM



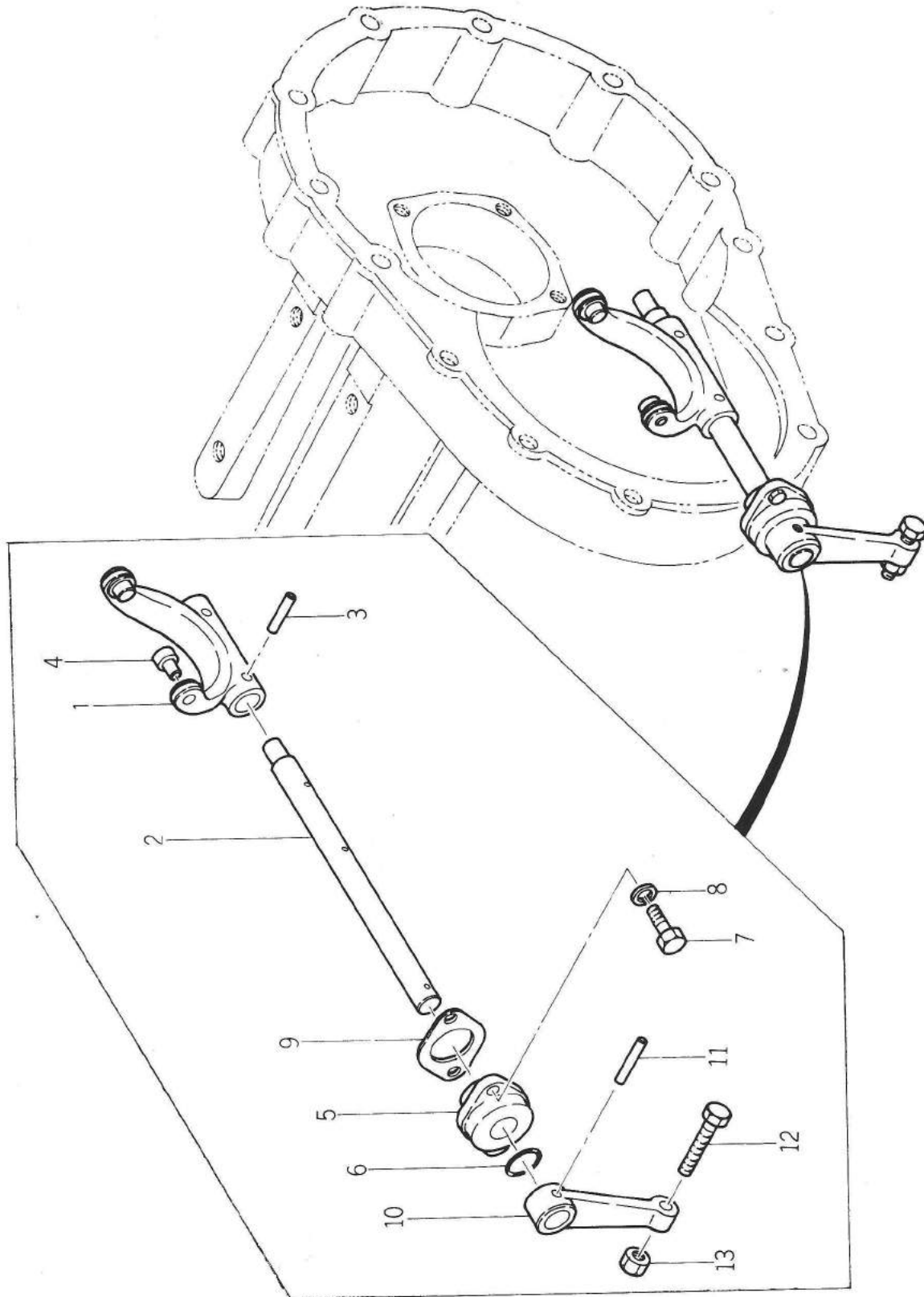
P. T. O. SELECTOR MECHANISM

Ref. No.	Part No.	Description	Q'ty	Size	Remarks
1	CA17510	p. t. o. selector rod	1		
2	CA17520	p. t. o selector fork	1		
3	CD17070	selector spring	2		
4	8000010	selector ball	2	M10 $\phi$	
5	8310150	O-ring	1	M15	T. S. No. 000101 onward 1st, 2nd cat. No. replaced to 8310150
5	8310160	O-ring	1	M16	
6	CD17660	set screw	1		
7	3600102	spring washer	1		
8	CD1764K	p. t. o. selector arm	1		
9	CD17590	p. t. o. selector shaft housing	1		
10	CD17610	gasket	1		
11	2000820	screw	2	M8 x 20	
12	3600082	spring washer	2	M8	
13	8310160	O-ring	1	M16	
14	7400016	circlip	1	M16	
15	CA17537	p. t. o. selector lever	1		T. S. No. 000101 onward 1st cat. No. replaced to CA17537
15	CA17530	p. t. o. selector lever	1		
16	5506028	spring pin	1		
17	6900083	knob	1		
18	3000083	lock nut	1	M8	

### P. T. O. SELECTOR MECHANISM

Ref. No.	Part No.	Description	Q'ty	Size	Remarks
1	CA17510	p. t. o. selector rod	1		
2	CA17520	p. t. o selector fork	1		
3	CD17070	selector spring	2		
4	8000010	selector ball	2	M10 $\phi$	
5	8310150	O-ring	1	M15	T. S. No. 000101 onward 1st, 2nd cat. No. replaced to 8310150
5	8310160	O-ring	1	M16	
6	CD17660	set screw	1		
7	3600102	spring washer	1		
8	CD1764K	p. t. o. selector arm	1		
9	CD17590	p. t. o. selector shaft housing	1		
10	CD17610	gasket	1		
11	2000820	screw	2	M8 x 20	
12	3600082	spring washer	2	M8	
13	8310160	O-ring	1	M16	
14	7400016	circlip	1	M16	
15	CA17537	p. t. o. selector lever	1		T. S. No. 000101 onward 1st cat. No. replaced to CA17537
15	CA17530	p. t. o. selector lever	1		
16	5506028	spring pin	1		
17	6900083	knob	1		
18	3000083	lock nut	1	M8	

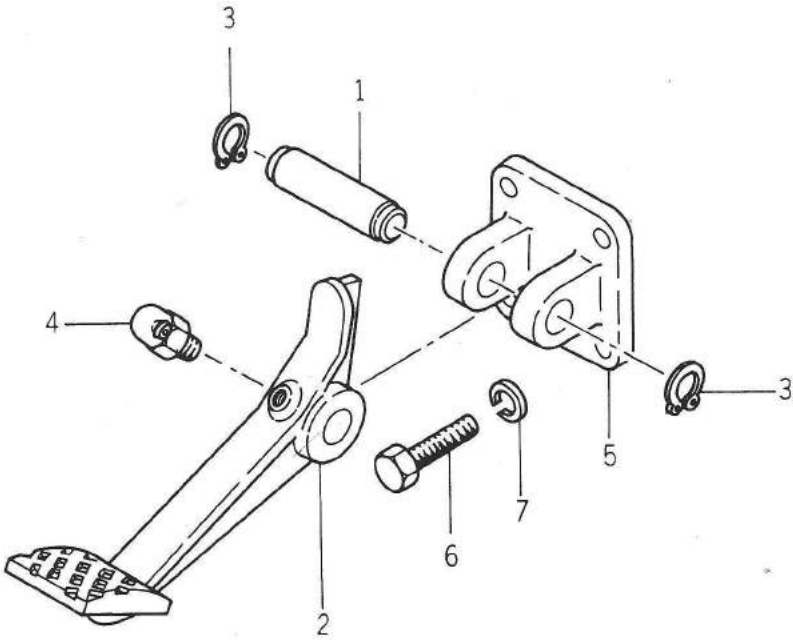
Fig. 38 DIFF-LOCK SHIFTER



## DIFF-LOCK SHIFTER

Ref. No.	Part No.	Description	Q'ty	Size	Remarks
0-1	CD1801B	diff-lock shifter shaft ass'y	1		
1	CD18020	. diff-lock shifter	1		not saleable } not saleable } not saleable } — Saleable as an ass'y
2	CD1801K	. diff-lock shifter shaft	1		
3	5305028	. taper pin	2		
4	CD18030	shifter pin	2		
5	CD18047	metal, shifter shaft	1		
6	8310160	O-ring	1	M16	
7	2000616	screw	2	M6 x 16	
8	3600062	spring washer	2	M6	
9	CD18050	gasket, shifter shaft metal	1		
10	CD1806K	diff-lock arm	1		
11	5506028	spring pin	1		
12	2000835	screw	1	M8 x 35	T. S. No. 000649 onward
12	2000830	screw	1	M8 x 30	T. S. No. 000101 ~ 000648
13	3000083	nut	1	M8	

Fig. 39 DIFF-LOCK PEDAL



## DIFF-LOCK PEDAL

Ref. No.	Part No.	Description	Q'ty	Size	Remarks
1	CD1851K	pedal pin	1		
2	CD18520	diff-lock pedal	1		
3	7400014	circlip	2	M14	
4	6510006	grease nipple	1		
5	CD18530	support, diff-lock pedal	1		
6	2000820	screw	4	M8 x 20	
7	3600082	spring washer	4	M8	



Fig. 40 CHASSIS

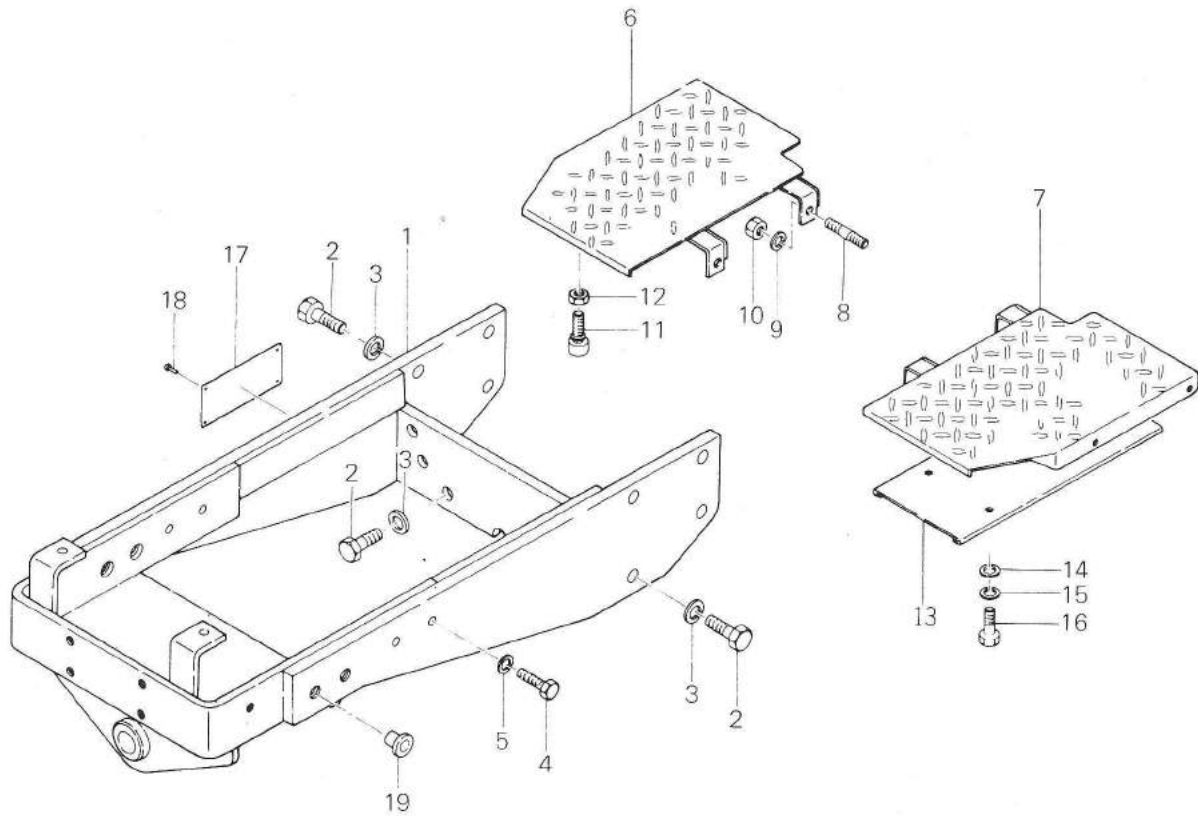
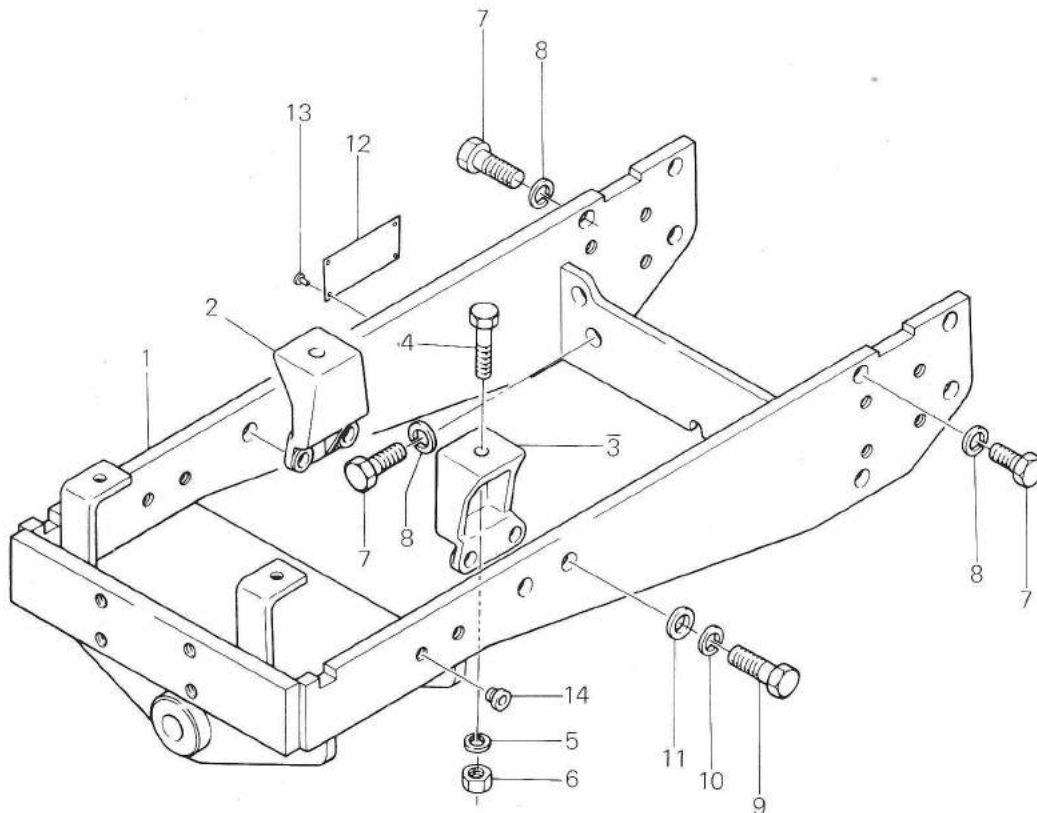


Fig. 40 CHASSIS (Serial No. 200001 onward)



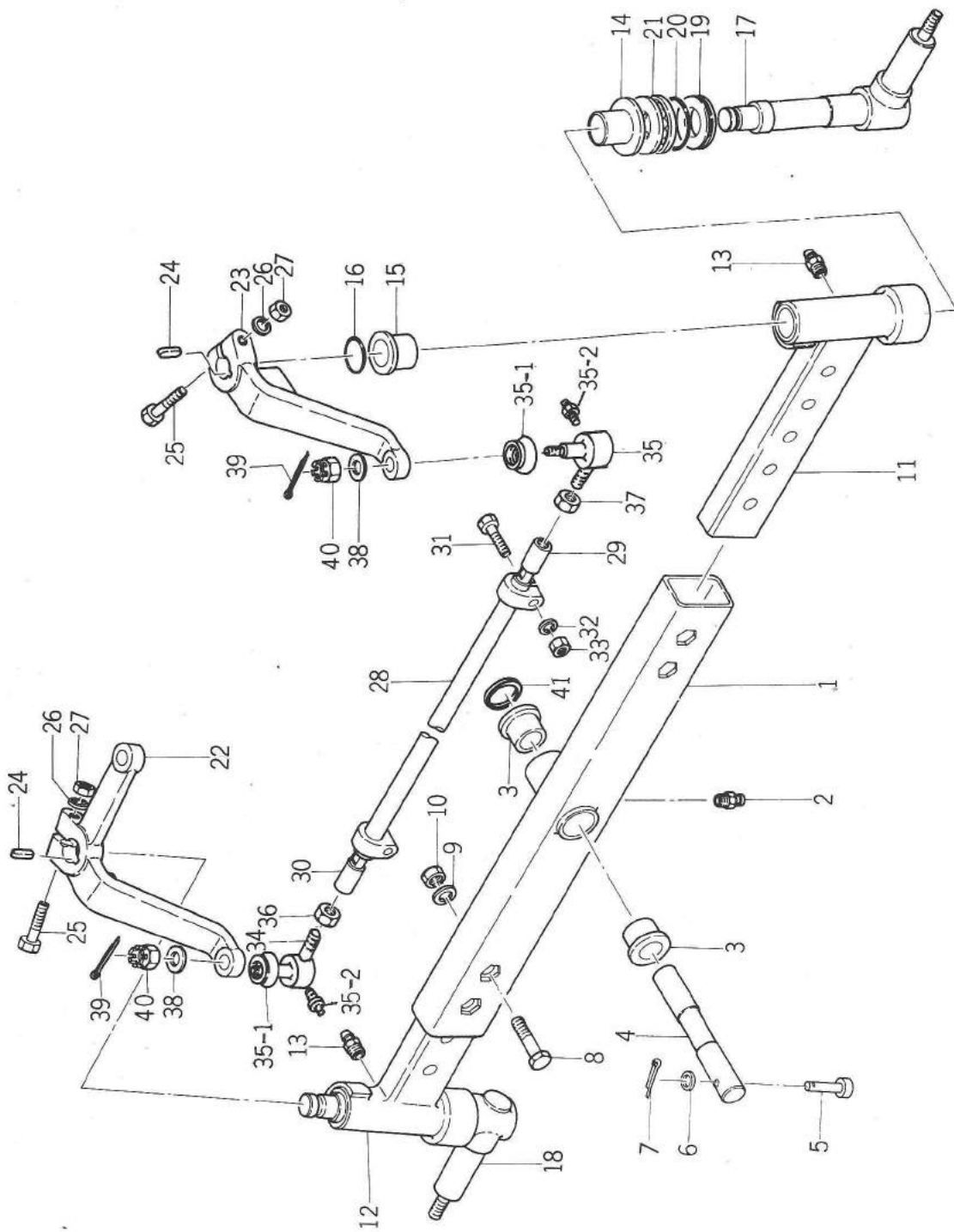
## CHASSIS

Ref. No.	Part No.	Description	Q'ty	Size	Remarks
1	CA20000	chassis	1		
2	1021640	bolt	12	M16 x 40	
3	3600162	spring washer	12	M16	
4	1021040	bolt	4	M10 x 40	
5	3600102	spring washer	4	M10	
6	CD2300R	step (R. H)	1		T. S. No. 000101 onward
6	CD23001	step (R. H)	1		1st cat. No. replaced to CD2300R
7	CA2300L	step (L. H)	1		T. S. No. 000101 onward
	CD23002	step (L. H)	1		1st cat. No. replaced to CA2300L
8	1321020	stud bolt	4	M10 x 20	T. S. No. 000101 onward
	1320100	stud bolt	4	M10 x 20	1st cat. No. replaced to 1321020
9	3600102	spring washer	4	M10	
10	3020101	nut	4	M10	
11	CD23060	pedal cushion	2		
12	3000083	nut	2	M8	
13	CA23030	heat proof plate	1		
14	3500820	washer	4	M8	T. S. No. 000101 onward
14	3500080	washer	4	M8	1st cat. No. replaced to 3500820
15	3600082	spring washer	4	M8	
16	2000820	screw	4	M8 x 20	
17	CA27010	name plate	1		
18	4825050	driving screw	4		
19	CD10050	cap	4	M16	T. S. No. 000101 ~ Add to 1st cat.

### CHASSIS (Serial No. 200001 onward)

Ref. No.	Part No.	Description	Q'ty	Size	Remarks
1	CA2000K	chassis	1		Refer to T.S.B. 8 Parts T.S.No. 200001 onward
2	CA20080	engine support (R.H.)	1		
3	CA20090	engine support (L.H.)	1		
4	1021235	bolt	2	M12 x 35	
5	3600122	spring washer	2	M12	
6	3030121	nut	2	M12	
7	1021640	bolt	12	M16 x 40	
8	3600162	spring washer	12	M16	
9	1021035	bolt	4	M10 x 35	
10	3600102	spring washer	4	M10	
11	EQ13050	washer	4		
12	CA27010	name plate	1		
13	4825050	driving screw	4		
14	CD10050	cap	4	M16	

Fig. 41 FRONT AXLE



## FRONT AXLE

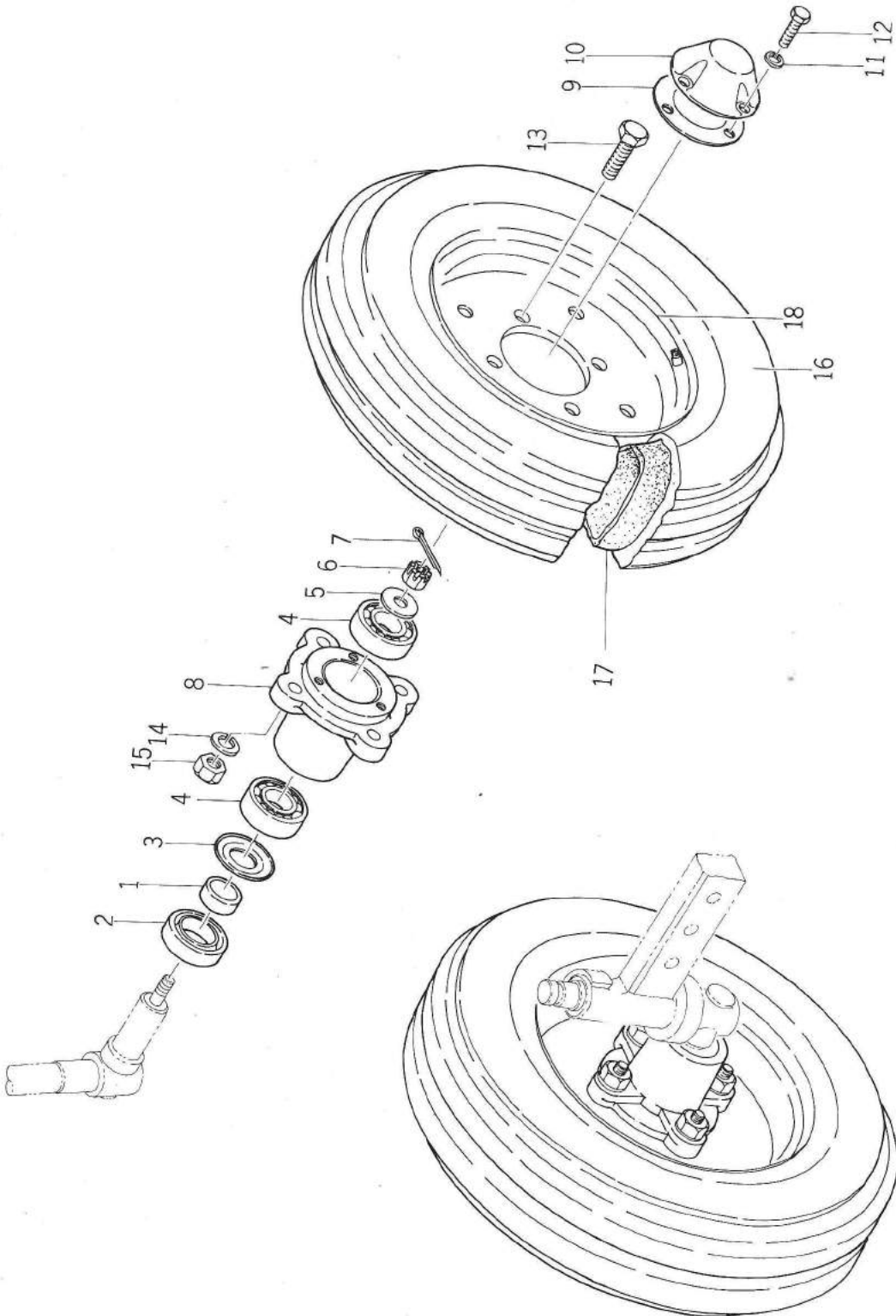
Ref. No.	Part No.	Description	Q'ty	Size	Remarks
1	CA20510	center beam	1		T. S. No. 000101 onward
1	CD20510	center beam	1		1st cat. No. replaced to CA20510
2	6500006	grease nipple	1		
3	CD20570	center pin bush	2		
4	CD20580	center pin	1		
5	5601058	pin	1	M10 x 58	
6	7311010	washer	1	t = M1.0	
7	5230025	cotter pin	1	M3 $\phi$ x 25	
8	1121665	bolt	4	M16 x 65	
9	3600162	spring washer	4	M16	
10	3020161	nut	4	M16	
11	CB2051S	beam extension ass'y (R. H)	1		T. S. No. 000101 onward
	CB20511	beam extension ass'y (R. H)	1		1st cat. No. replaced to CB2051S
12	CB2051M	beam extension ass'y (L. H)	1		T. S. No. 000101 onward
	CB20512	beam extension ass'y (L. H)	1		1st cat. No. replaced to CB2051M
13	6500006	grease nipple	2		
14	CD20570	center pin bush	2		
15	CD20660	king pin bush	2		
16	8310300	O-ring	2	M30	
17	CD2067R	king pin (R. H)	1		T. S. No. 000101 onward
	CD20671	king pin (R. H)			1st cat. No. replaced to CD2067R
18	CD2067L	king pin (L. H)	1		T. S. No. 000101 onward
	CD20672	king pin (L. H)	1		1st cat. No. replaced to CD2067L
19	CD20690	O-ring bush	2		
20	8310490	O-ring	2	M49	
21	B051206	thrust bearing	2	#51206	
22	CD20710	steering lever (L. H)	1		
23	CD20720	steering lever (R. H)	1		
24	5727025	key	2		
25	1021270	bolt	2	M12 x 70	
26	3600122	spring washer	2	M12	
27	3020121	nut	2	M12	
28	CD20810	tie rod	1		
29	CD2083R	tie rod end (R. H)	1		T. S. No. 000101 onward
	CD20831	tie rod end (R. H)	1		1st cat. No. replaced to CD2083R
30	CD2083L	tie rod end (L. H)	1		T. S. No. 000101 onward
	CD20832	tie rod end (L. H)	1		1st cat. No. replaced to CD2083L
31	CD20860	bolt	2	M8 x 46	
32	3600082	spring washer	2	M8	

## FRONT AXLE

Ref. No.	Part No.	Description	Q'ty	Size	Remarks
33	3000081	nut	2	M8	
34	CD2087S	ball socket ass'y (R. H screw)	1		T. S. No. 002290 ~ onward Interchangeable
34	CD2087R	ball socket ass'y (R. H screw)	1		T. S. No. 000101 ~ 002289
34	CD20871	ball socket ass'y (R. H screw)	1		1st, 2nd cat. No. replaced to CD2087S
35-1	CD20873	dust cover	1		CD2087S
40	3100110	slotted nut	1		
35-2	CD20874	grease nipple	1		
35	CD2087M	ball socket ass'y (L. H screw)	1		T. S. No. 002290 ~ onward Interchangeable
35	CD2087L	ball socket ass'y (L. H screw)	1		T. S. No. 000101 ~ 002289
35	CD20872	ball socket ass'y (L. H screw)	1		1st, 2nd cat. No. replaced to CD2087M
35-1	CD20873	dust cover	1		CD2087M
40	3100110	slotted nut	1		
35-2	CD20874	grease nipple	1		
36	CD2088R	lock nut (R. H screw)	1	M17	T. S. No. 000101 onward
36	CD20881	lock nut (R. H screw)	1	M17	1st cat. No. replaced to CD2088R
37	CD2088L	lock nut (L. H screw)	1	M17	T. S. No. 000101 onward
	CD20882	lock nut (L. H screw)	1	M17	1st cat. No. replaced to CD2088L
28	EQ13050	washer	2		
39	5225020	cotter pin	2	M2.5φx20	
41	CD20590	shim	AR	t = 0.4	T. S. No. 001158 ~ onward Added on 3rd cat.
41	CD20600	shim	AR	t = 0.6	T. S. No. 001158 ~ onward Added on 3rd cat.



Fig. 42 FRONT AXLE

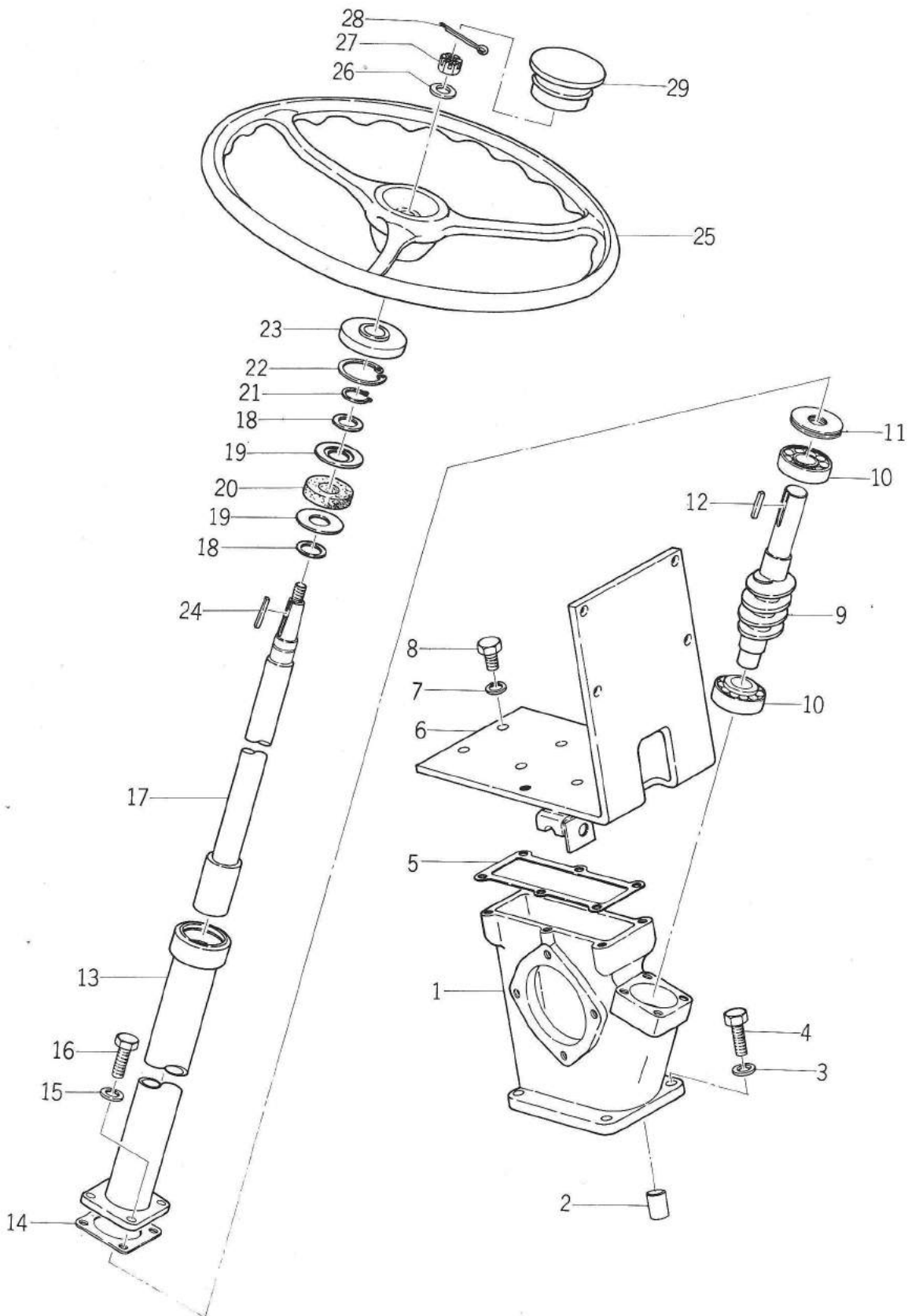


## FRONT AXLE

Ref. No.	Part No.	Description	Q'ty	Size	Remarks
1	CD20730	oil seal bush	2		T. S. No. 000101 onward 1st cat. Q'ty replaced to 2
			1		
2	T040628 7040628	oil seal oil seal	2	TC40628	T. S. No. 000101 onward 1st cat. No. replaced to T040628
3	CD20740	oil seal plate	2		
4	B030206	taper roller bearing	4	#30206	
5	DE16610	washer	2		
6	3100120	slotted nut	2	M12	
7	5230020	cotter pin	2	M3φx20	
8	CD20750	front hub	2		
9	CD20760	cap gasket	2		
10	CD20777	hub cap	2		
11	3600062	spring washer	6	M6	
12	2000612	screw	6	M6 x 12	
13	2031232	screw	8	M12 x 32	
14	3600122	spring washer	8	M12	
15	3020123	nut	8	M12	
0-1	CA3005A	front wheel ass'y (AG)	2	AG-500-15	T. S. No. 000101 onward 1st, 2nd cat. Description replaced to front wheel ass'y (AG)
	CA3005A	front tire ass'y	2	AG-500-15	
16	CA3005F	. front tire	2	AG-500-15	CA3005A selective use
17	CA3005G	. tube	2	500-15	
18	CD20780 CD20780	. front rim front wheel ass'y	2 2	300-D 300-D	
	CA3015A	. front wheel ass'y (ES)	2	ES-500-15	
19	CA3016F	. front tire (ES)	2	ES-500-15	CA3015A selective use
20	CA3016G	. tube	2	500-15	
21	CA30150	. rim	2	400Ex15CD	



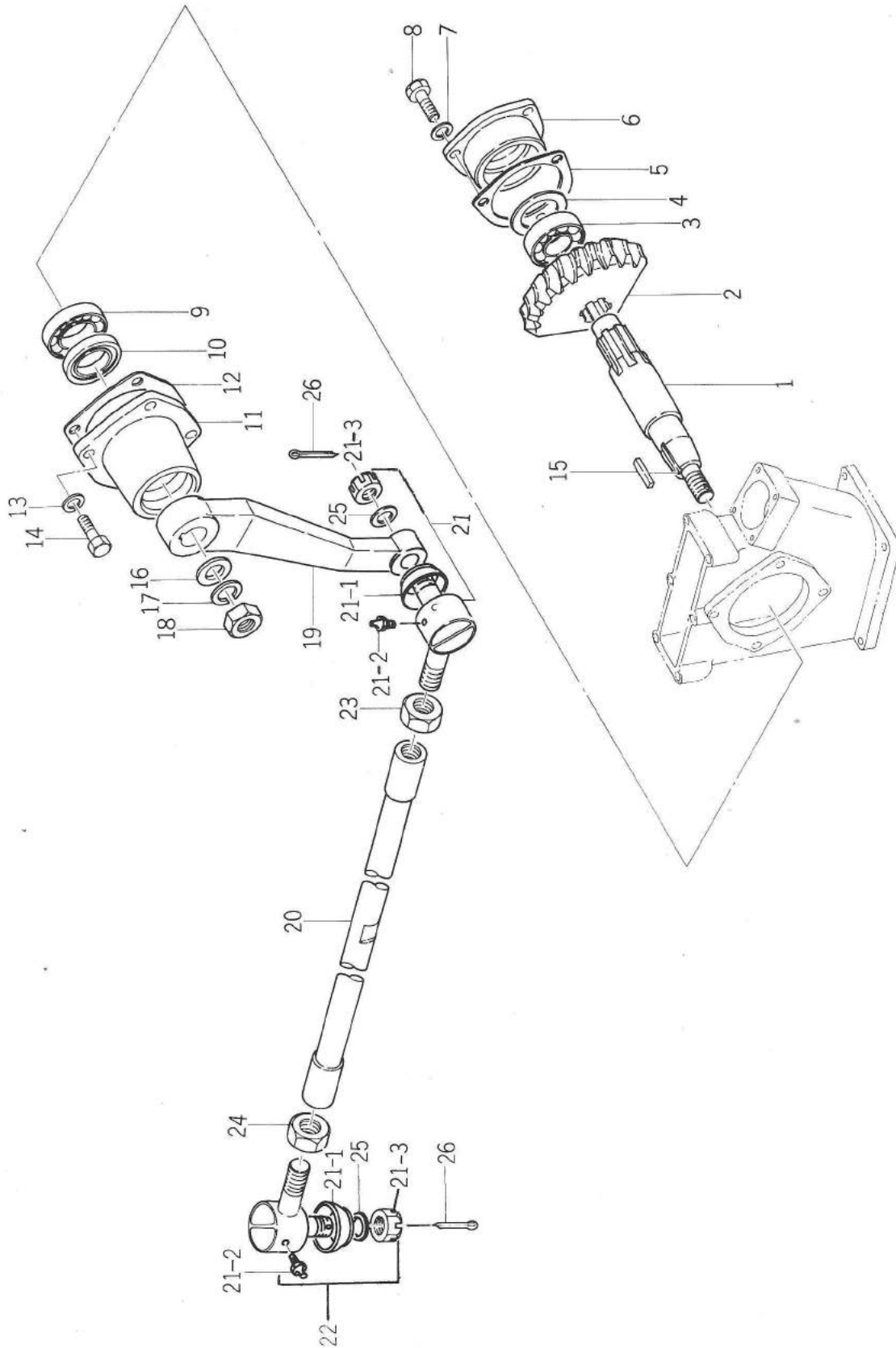
Fig. 43 STEERING (1)



## STEERING (1)

Ref. No.	Part No.	Description	Q'ty	Size	Remarks
1	CD21010	steering box	1		
2	GH11040	dowel	2		
3	3600102	spring washer	4	M10	
4	2031030	screw	4	M10	
5	CD21070	gasket, steering box cover	1		
6	CA21040	cover, steering box	1		
7	3600082	spring washer	6	M8	
8	2000820	screw	6	M8 x 20	
9	CD21110	steering worm gear	1		
10	B030204	taper roller bearing	1	#30204	
11	7304704	shim	AR	t = M0.4	
11-1	CD21201	shim	AR	t = M0.1	
11-2	CD21202	shim	AR	t = M0.15	
12	5717032	key	1		
13	CA21005	colum support	1		
14	CD21150	packing, flange	1		
15	3600082	spring washer	4	M8	
16	2000820	screw	4	M8 x 20	
17	CD21160	steering mast	1		
18	CA21030	washer (B)	2		
19	CA21020	washer (A)	2		
20	CA21010	rubber cushion	1		
21	7400020 7410042	circlip circlip	1	M20	T. S. No. 000101 ~ onward 1st, 2nd cat. No. replaced to 7400020
22	7410042 7400020	circlip circlip	1	M42	T. S. No. 000101 ~ onward 1st, 2nd cat. No. replaced to 7410042
23	CD2117U CD21170	end cap end cap	1		T. S. No. 000101 ~ onward 1st, 2nd cat. No. replaced to CD2117U
24	DE23520	key	1		
25	DE23510	steering wheel ass'y	1		with cap (Ref. No. 29)
26	EJ30410	washer	1		
27	3100121	slotted nut	1	M12	
28	5230020	cotter pin	1	M3 $\phi$ x20	
29	DE23511	steering wheel cap	1		

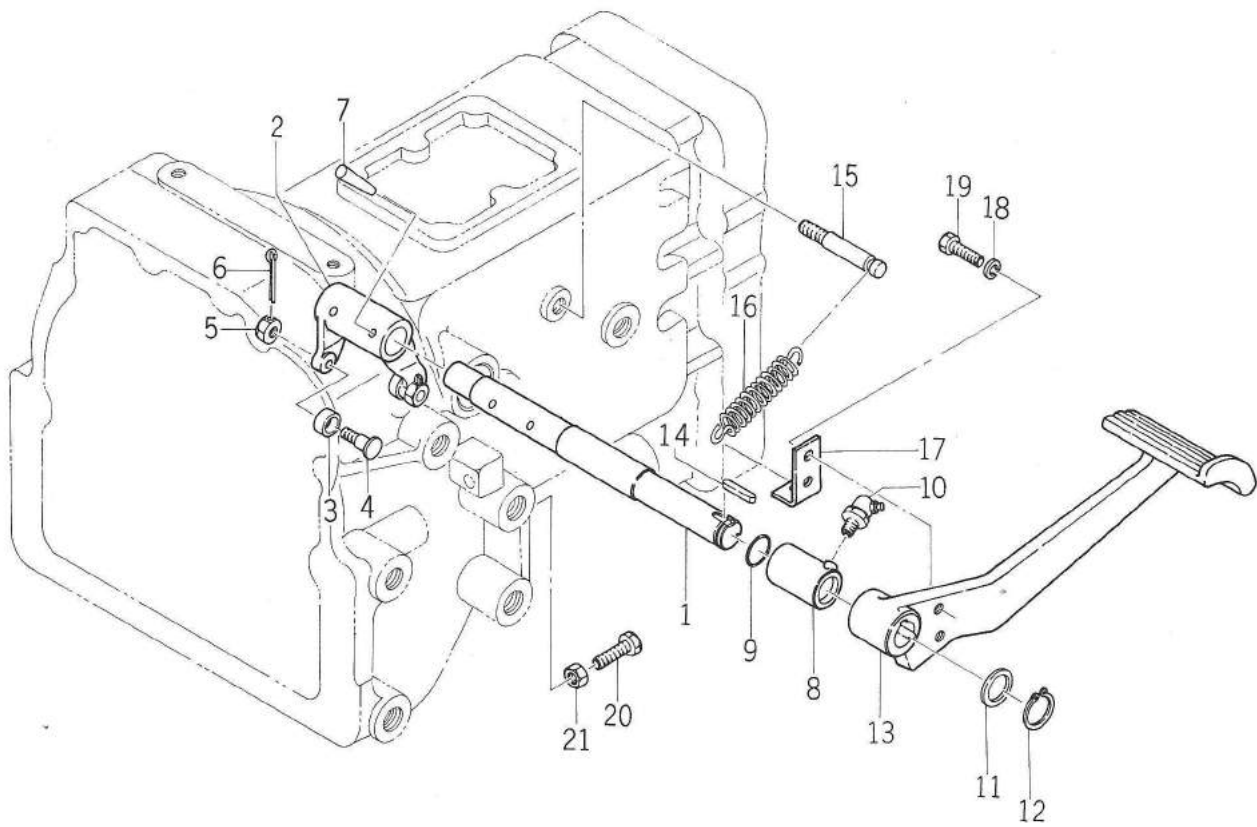
Fig. 44 STEERING (2)



## STEERING (2)

Ref. No.	Part No.	Description	Q'ty	Size	Remarks
1	CD21080	pitman	1		
2	CD21090	worm wheel	1		
3	B062050	ball bearing	1	#6205	
4	7305204	liner	AR		
5	CD21050	gasket (B)	1		
6	CD21040	bearing housing (B)	1		
7	3600082	spring washer	3	M8	
8	2000820	screw	3	M8 x 20	
9	B060060	ball bearing	1	#6006	
10	T030508	oil seal	1	TC30508	
11	CD21020	bearing housing (A)	1		
12	CD21030	gasket	1		
13	3600082	spring washer	4	M8	
14	2000820	screw	4	M8 x 20	
15	5717028	key	1		
16	ET16080	washer	1		
17	3600162	spring washer	1		
18	3020161	nut	1		
19	CD21100	pitman arm	1		
20	CA21300	drag link	1		
21	CD2087R	ball socket, ass'y (R. H screw)	1		
22	CD2087L	ball socket ass'y (L. H screw)	1		
23	CD2088R	lock nut (R. H screw)	1		
24	CD2088L	lock nut (L. H screw)	1		
25	EQ13050	washer	2		
21	CD2087S	ball socket ass'y (R. H. screw)	1		T. S. No. 002290 onward Interchangeable
21	CD2087R	ball socket ass'y (R. H. screw)	1		T. S. No. 000101 ~ 002289 1st, 2nd. cat. Part No. replaced to CD2087S
21-1	CD20873	dust cover	1		Added on 3rd cat
21-2	CD20874	grease nipple	1		Added on 3rd cat
21-3	3100110	slotted nut	1	M11 P1.25	Added on 3rd cat
22	CD2087M	ball socket ass'y (L. H. screw)	1		T. S. No. 002290 onward Interchangeable
22	CD2087L	ball socket ass'y (L. H. screw)	1		T. S. No. 000101 ~ 002289 1st, 2nd. cat. Part No. replaced to CD2087M
21-1	CD20873	dust cover	1		Added on 3rd cat
22-2	CD20874	grease nipple	1		Added on 3rd cat
22-3	3100110	slotted nut	1	M11 P1.25	Added on 3rd cat
23	CD2088R	lock nut (R. H. screw)	1		
24	CD2088L	lock nut (L. H. screw)	1		
25	EQ13050	washer	2		
26	5225020	cotter pin	2	M2.5φx20	

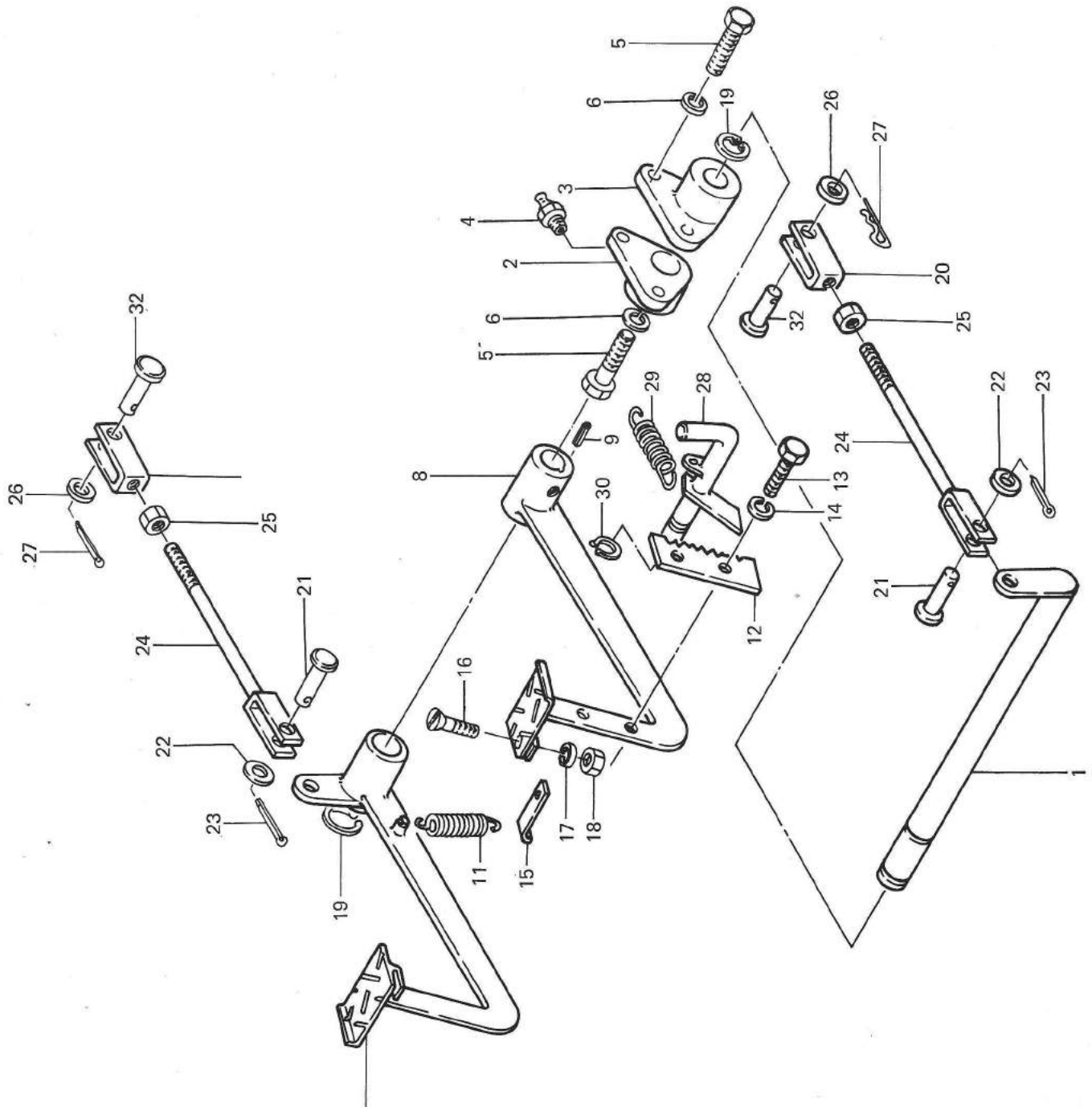
Fig. 45 CLUTCH PEDAL



## CLUTCH PEDAL

Ref. No.	Part No.	Description	Q'ty	Size	Remarks
1	CD21510	shaft	1		not saleable
2	CD21520	fork	1		not saleable
3	CD21530	roller	2		not saleable
		Saleable as an ass'y CD2151A			
4	GH11330	fork pin	2		not saleable
5	CD21540	nut	2		not saleable
6	5220020	cotter pin	2	M2 $\phi$ x20	not saleable
7	5305032	tapper pin	2		not saleable
8	CD2155K	clutch shifter metal	1		
9	8310220	O-ring	1	M22	
10	6510006	grease nipple	1		
11	7303016	liner	1	t = M1.6	
12	7400022	circlip	1	M22	
13	CD21577	clutch pedal	1		
14	CD21580	key	2		
15	CD21597	spring anchor	1		
16	CD21600	spring	1		
17	CA21510	lever	1		
18	3600082	spring washer	2	M8	
19	2000820	screw	2	M8 x 20	
20	2031030	screw	1	M10 x 30	
21	3020101	nut	1	M10	

Fig. 46 BRAKE

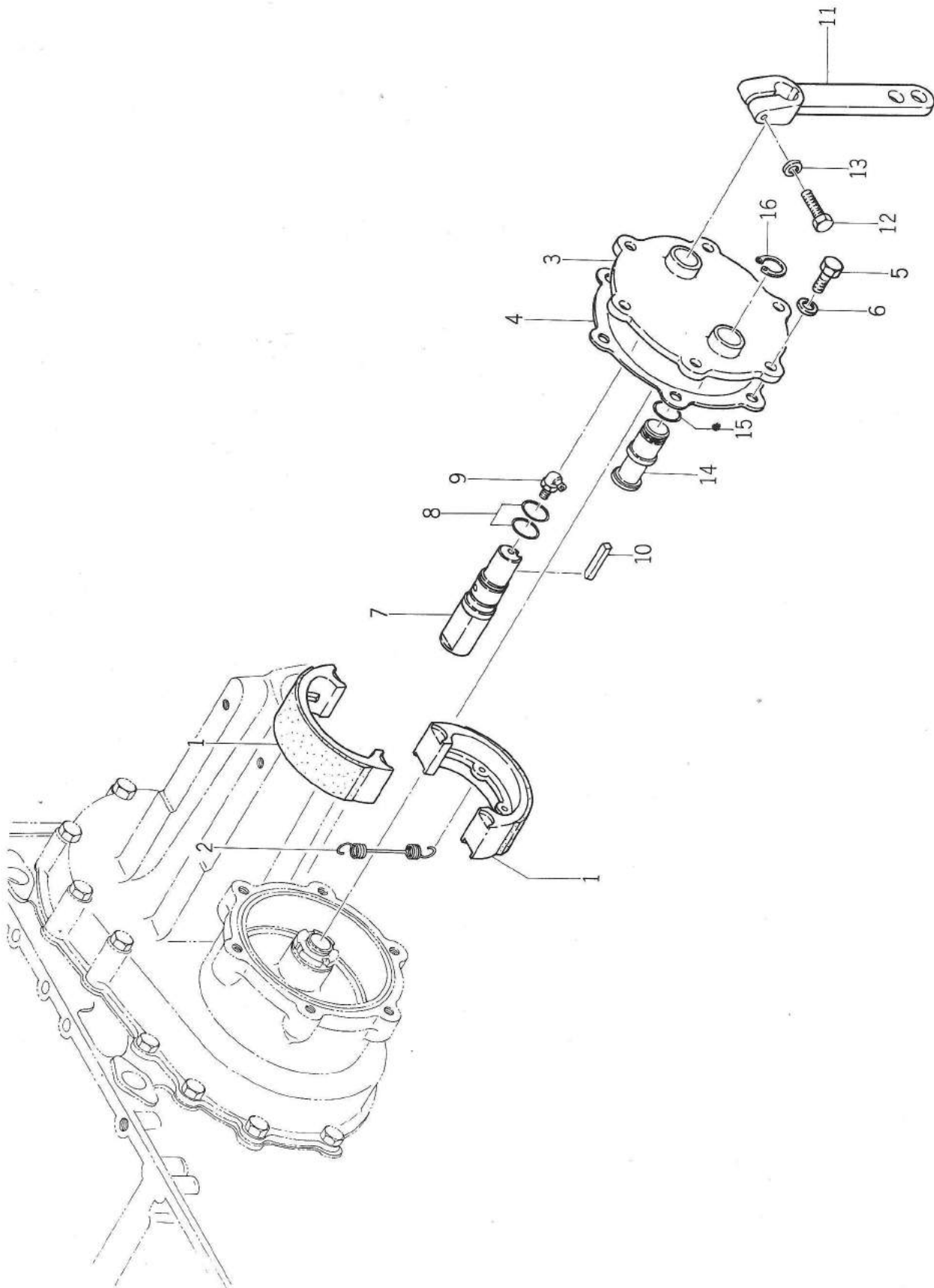


## BRAKE

Ref. No.	Part No.	Description	Q'ty	Size	Remarks
1	CD2201F CD2201B	cross shaft	1		T. S. No. 000101 onward 1st, 2nd cat. No. replaced to CD2201F
2	CD2202R	holder (R. H)	1		
3	CD2202L	holder (L. H)	1		
4	6513003	grease nipple	2		
5	2031025	screw	4	M10 x 25	
6	3600102	spring washer	4	M10	
7	CD22030	brake pedal (R. H)	1		
8	CD22040	brake pedal (L. H)	1		
9	5727030	key	1		
10	6513003	grease nipple	1		
11	CD22080	return spring	2		
12	CD22140	ratchet plate	1		
13	2000825	screw	2	M8 x 25	
14	3600082	spring washer	2	M8	
15	CD22150	locking plate	1		
16	2216022	screw	1	M6 x 22	
17	3600062	spring washer	1	M6	
18	3000061	nut	1	M6	
19	7400030	circlip	2	M30	
20	CD22190	brake rod joint	2		
21	DF21570 CD22200	brake rod joint pin	2		T. S. No. 000101 onward 1st, 2nd cat. No. replaced to DF21570
22	3500820 3500080	washer	2	M8	T. S. No. 000101 onward 1st, 2nd cat. No. replaced to 3500820
23	5225025	cotter pin	2	M2.5 $\phi$ x25	
24	CD2221A	adjusting rod	2		
25	3020101	nut	2	M10	
26	3500820 3500080	washer	2	M8	T. S. No. 000101 onward 1st, 2nd cat. No. replaced to 3500820
27	5210100	snap pin	2		
28	CD2222A	side brake arm	1		
29	LG2285Z LG22850	pull spring	1		T. S. No. 000101 onward 1st, 2nd cat. No. replaced to LG2285Z
30	7400012	circlip	1	M12	
31	3500100	washer	1		T. S. No. 000101 onward Deleted
32	DF21570 YC21570	brake rod joint pin	2 2		T. S. No. 000101 onward 1st, 2nd cat. No. replaced to DF21570



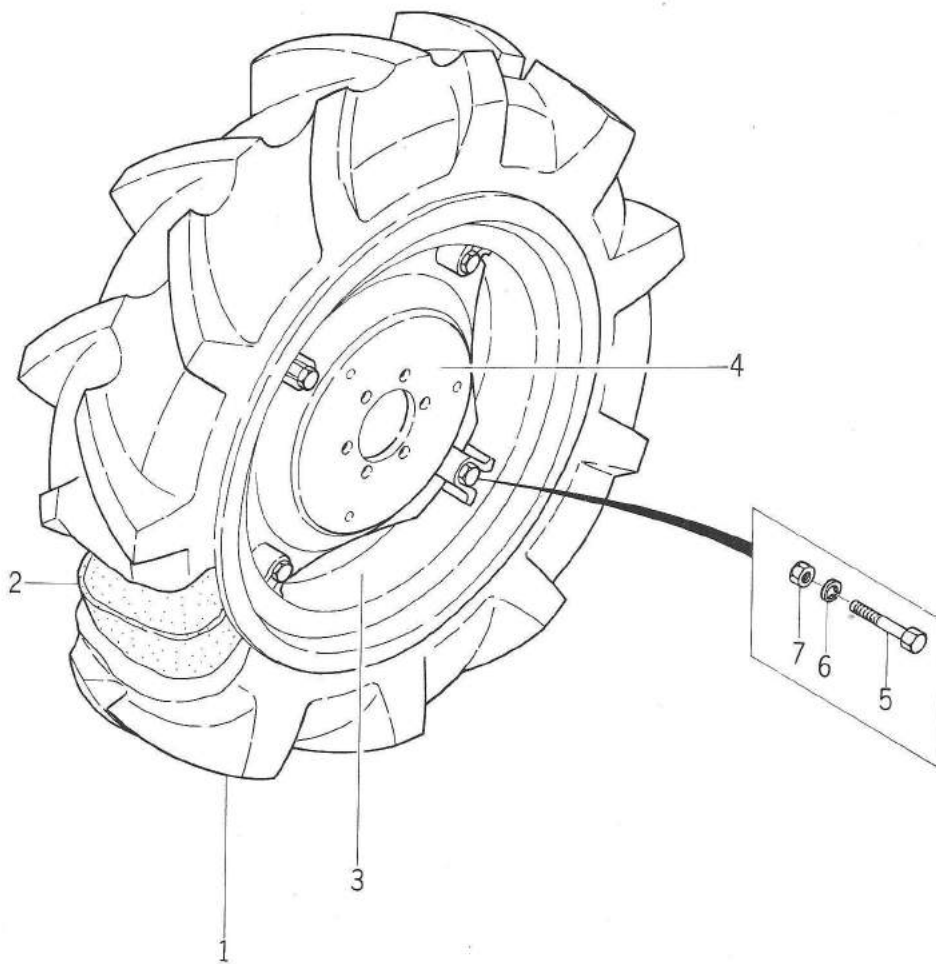
Fig. 47 BRAKE SHOE



## BRAKE SHOE

Ref. No.	Part No.	Description	Q'ty	Size	Remarks
1	CD2230A	brake shoe and lining	4		
1	CD2232A	brake shoe and lining	4		2nd cat. No. replaced to CD2230A
2	CD22330	return spring	4		
3	CD22340	brake cover	2		
4	CD22350	brake cover packing	2		
5	2031025	screw	12	M10 x 25	
6	3600102	spring washer	12	M10	
7	CD22360	brake cam shaft	2		
8	8310180	O-ring	4	M18	
9	6510006	grease nipple	2		
10	CD22370	key	2		
11	CD22380	arm, brake cam shaft	2		
12	2031040	screw	2	M10 x 40	
13	3600102	spring washer	2	M10	
14	CD2239K	shaft, brake shoe fitting	2		
15	8310180	O-ring	2	M18	
16	7400022	circlip	2	M22	

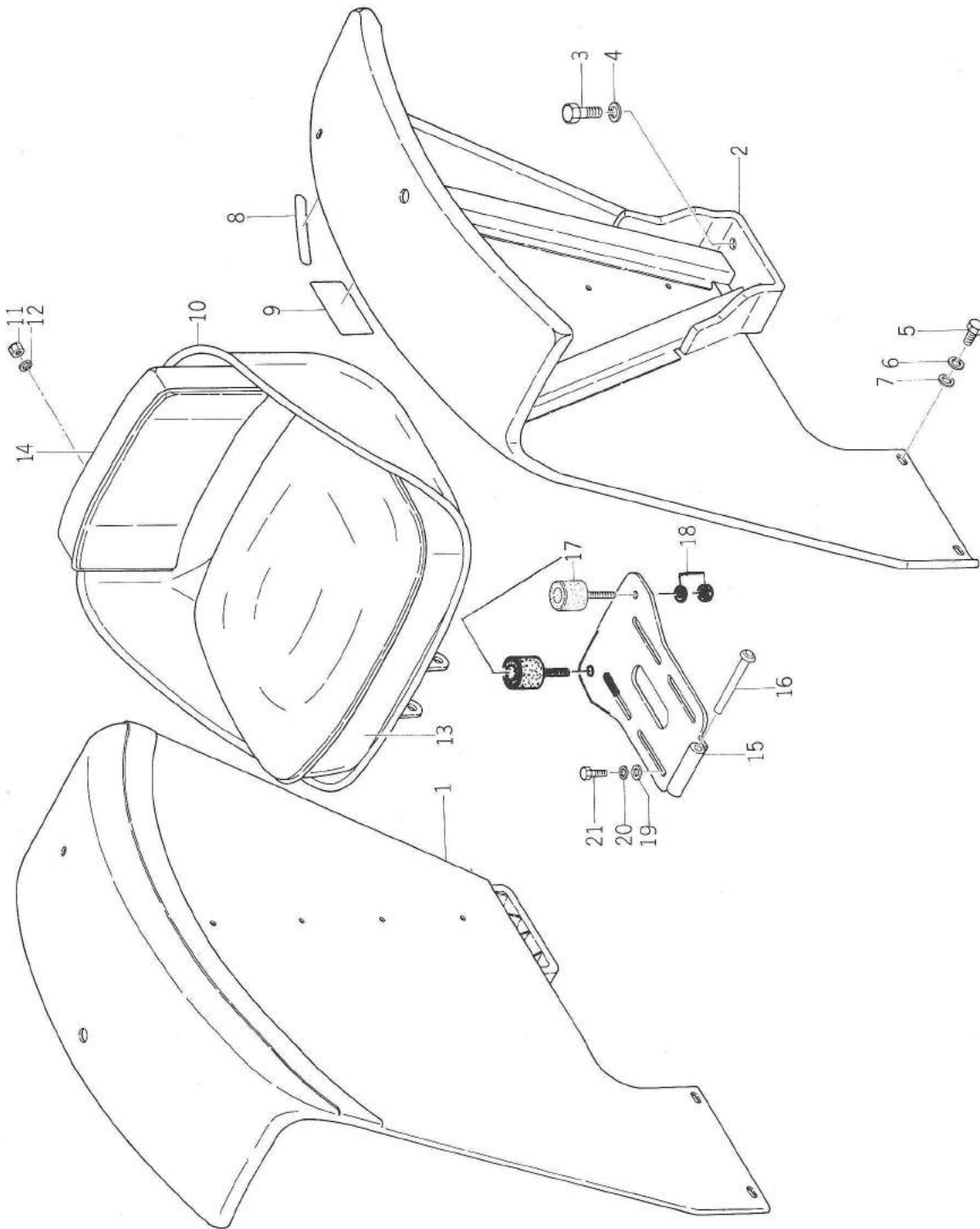
Fig. 48 REAR WHEEL



## REAR WHEEL

Ref. No.	Part No.	Description	Q'ty	Size	Remarks
	CA3001B	rear wheel ass'y (AG)	2		T. S. No. 000101 onward
	CA3001A	rear tire ass'y			1st, 2nd cat. No. replaced to CA3001B
1	CA3001K	. rear tire (AG)	2	11.2/10-24	
	CA3001F	rear tire			1st, 2nd cat. No. replaced to CA3001K
	CA3001B	selective use			
2	CA3001G	. tube	2	11.2/10-24	
3	CA3001I	. rim	2	W9-24	T. S. No. 000101 onward
	CA3001H				1st, cat. No. replaced to CA3001I
4	CA3001H	. wheel disc	2		T. S. No. 000101 onward
	CA3001I				1st, cat. No. replaced to CA3001H
5	1021670	. bolt	8	M16 x 70	T. S. No. 000101 onward
	1001670				1st, cat. No. replaced to 1021670
6	3600162	. spring washer	8	M16	
7	3020161	. nut	8	M16	T. S. No. 000101 onward
	3000161				1st cat. No. replaced to 3020161
	CA3010A	rear wheel ass'y (ES)	2		selective use
8	CA3010F	. rear tire (ES)	2		
9	CA3001G	. tube	2		
10	CA3001I	. rim	2		
11	CA3001H	. wheel disc	2		
12	1021670	. bolt	8		
13	3600162	. spring washer	8		
14	3020161	. nut	8		
	CA3010A				

Fig. 49 REAR FENDER

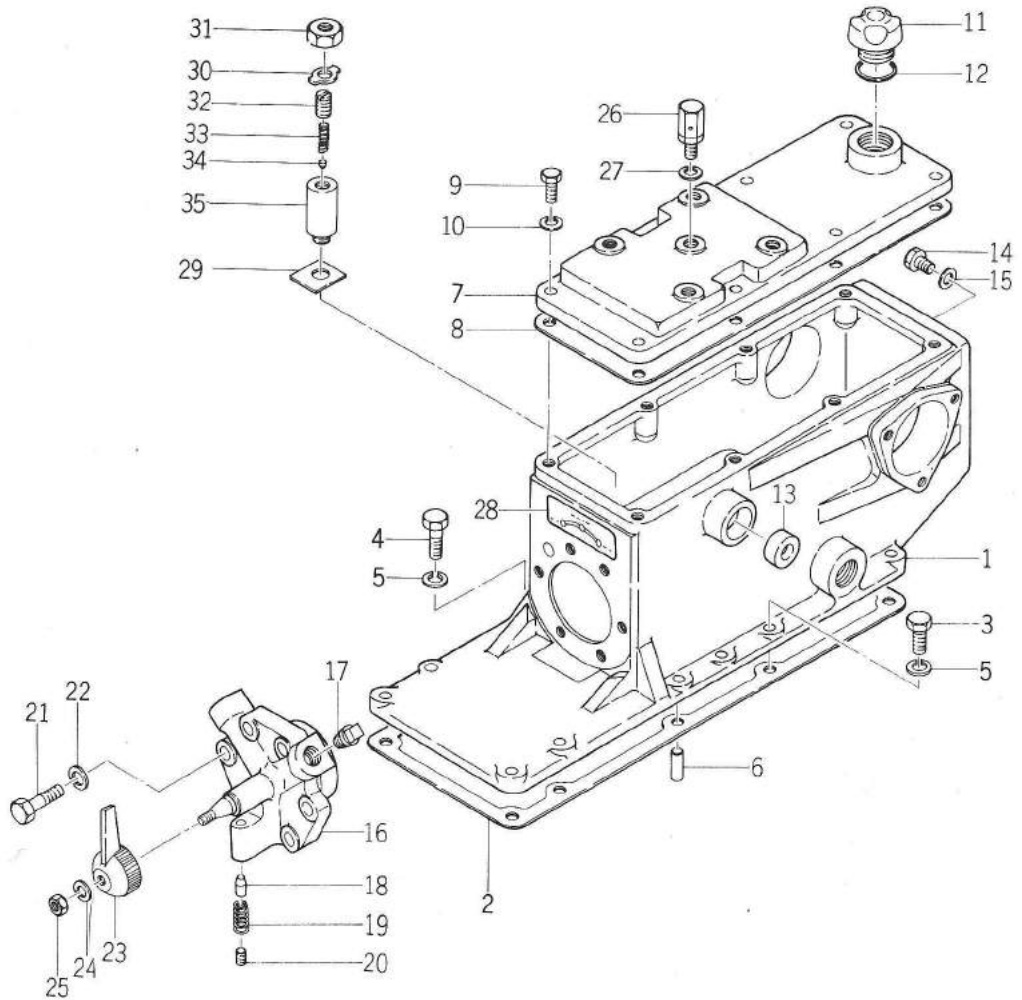
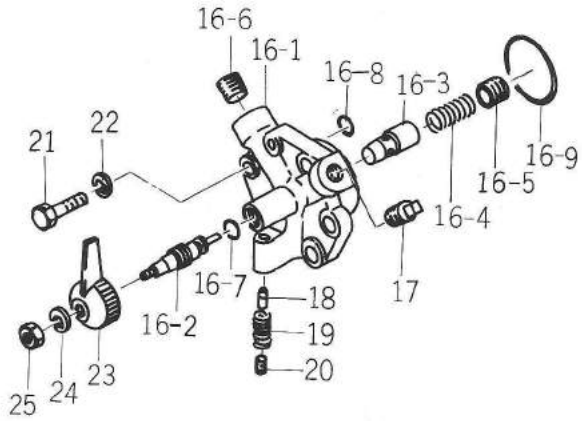


## REAR FENDER

Ref. No.	Part No.	Description	Q'ty	Size	Remarks
1	CD2251S	rear fender (R. H)	1		
2	CD2251M	rear fender (L. H)	1		
3	2031230	screw	4	M12 x 30	
4	3600122	spring washer	4	M12	
5	2000820	screw	4	M8 x 20	
6	3600082	spring washer	4	M8	
7	3500820	washer	4	M8	
8	CA27210	p. t. o. operation mark p. t. o operating mark	1		T. S. No. 000101 onward 1st, 2nd cat. Description replaced to "Operation"
9	CA27220	p. t. o. revolution table	1		
	CD23507	seat ass'y			
10	CD23520	. seat bucket	1		} CD23507  not saleable not saleable
11	3000081	. nut	6		
12	3600082	. spring washer	6		
13	CD23540	. lower seat pad	1		
14	CD23550	. back rest	1		
15	CD23570	adjusting plate	1		
16	CD23560	hinge pin	1		
17	CD23530	. cushion rubber seat	2		
18	3000083	. lock nut	4	M8	
19	3501025	washer	4	M10	
20	3600102	spring washer	4	M10	
21	2031020	screw	4	M10 x 20	

Total descriptions appeared on page 124 in the 1st & 2nd catalogues, ref.No. 10 ~ 22 have been cancelled, and totally replaced to this page.  
Consequently, ref. no. 15 & 16 became "Not Saleable".

Fig. 50 HYDRAULIC LIFT



Return spring CD22330 4  
1/2 w/ 6 1/4" and Brake shoes CD2230A or CD2232A set  
Brake cover parking CD22350 2



## HYDRAURIC LIFT

Ref. No.	Part No.	Description	Q'ty	Size	Remarks
1	CA24010	hydraulic lift case	1		On tractors No. 00681 onward safety valve CA24800 should be fitted when to replace the hydraulic lift case
2	CD24020	case gasket	1		
3	2031030	screw	8	M10 x 30	
4	2031022	screw	2	M10 x 22	
5	3600102	spring washer	10	M10	
6	5401014	dowel	2		
7	CD24030	lift case cover	1		
8	CD24040	gasket	1		
9	2000825	screw	8	M8 x 25	
10	3600082	spring washer	8	M8	
11	GE10100	plug	1		
12	EB10037	rubber packing	1		
13	LJ11160	gauge plug	1		
14	GA10047	magnet plug	1		
15	GA10070	rubber packing	1		
	CD2414A	lock valve ass'y	1		2nd cat. deleted "ass'y" Page 158 2nd cat. Fig. 61-1
16	CD24140	. lock valve	1		
	CD20140	lock valve ass'y	1		
16-1	VF20101	.. body	1		
16-2	VF20201	.. adjuster	1		
16-3	VF20301	.. check valve	1		
16-4	VF30401	.. spring	1		
16-5	VF20401	.. plug	1		
16-6	VF00015	.. plug	1		
16-7	VL00900	.. O-ring	1		
16-8	VL01600	.. O-ring	1		
16-9	VL06000	.. O-ring	1		
17	6000100	. plug	1		
18	QB12260	. stopper pin	1		
19	EQ12630	. stopper spring	1		
20	2810808	. stopper screw	1		
	2810008	. stopper screw	1		
21	CD24160	. screw	6	M10 x 40	T. S. No. 000101 onward 1st, 2nd cat. No. replaced to 2810808 T. S. No. 000101 onward 1st, 2nd cat. No. replaced to CD24160
	2031040				
22	3600102	. spring washer	6	M10	
23	CD24150	. adjusting lever	1		
24	3600082	. spring washer	1		
25	3000081	. nut	1		
26	CD24170	breather	1		

## HYDRAULIC LIFT

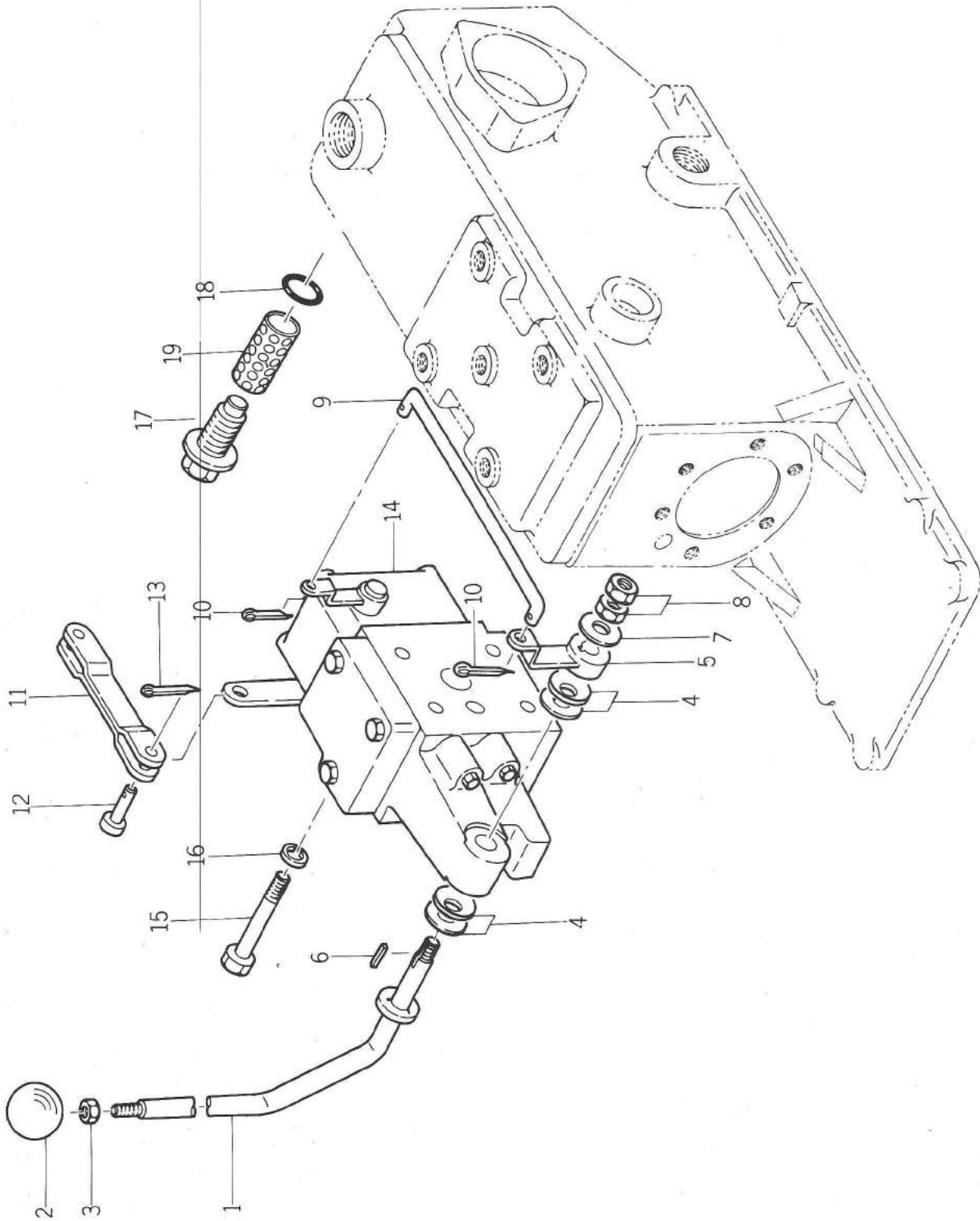
Ref. No.	Part No.	Description	Q'ty	Size	Remarks
27	3600122	spring washer	1		
28	CD95240	hydraulic adjusting mark	1		
	CA24800	safety valve ass'y	1		T. S. No. 000681 ~ onward
29	CA24041	. stopper washer	1		Saleable
30	DF13570	. nut stopper	1		not saleable 2nd cat. Part No. replaced to DF 13570
31	3001123	. nut	1		not saleable
32	DB25230	. set screw	1		not saleable
33	DB25250	. safety valve spring	1		not saleable
34	DB25210	. safety valve	1		not saleable
35	DB25220	. valve casing	1		not saleable

CA24800  
 (Saleable as an unit  
 except CA24041)

Refer to T. S. B. 0002  
 Hydraulic lift linkage (0008)



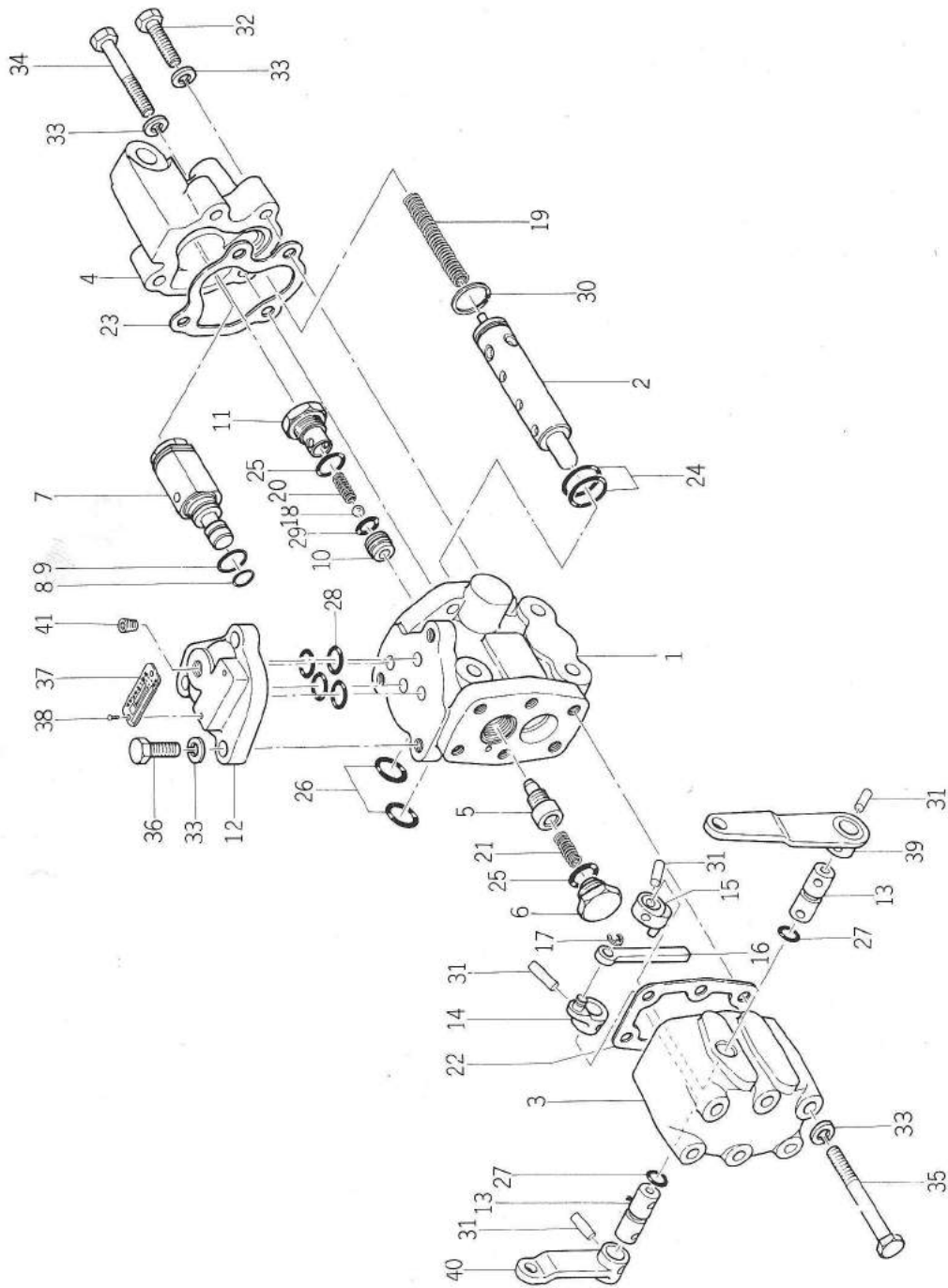
Fig. 51 CONTROL LEVER



## CONTROL LEVER

Ref. No.	Part No.	Description	Q'ty	Size	Remarks
1	CA24100	control lever	1		
2	6900083	knob	1		
3	3000083	lock nut	1	M8	
4	CC24077	belleville washer	4		
5	CC2409A	arm boss	1		
6	5724010	key	1		
7	3501025	washer	1	M10	T. S. No. 000101 onward 1st, 2nd cat. No. replaced to 3501025
	3501105	washer	1	M10	
8	3020103	lock nut	2	M10	
9	CC24110	connecting rod	1		
10	5220015	cotter pin	2	M2 $\phi$ x15	
11	CC24120	joint, lift arm	1		
12	DF21570	pin	2		T. S. No. 000101 onward 1st, 2nd cat. No. replaced to DF21570
12	DC21570	pin	2		
13	5220015	cotter pin	2	M2 $\phi$ x15	
14	CC24220	height control valve ass'y	1		Refer to page 128
15	1000885	bolt	3	M8 x 85	T. S. No. 000101 onward 1st, 2nd cat. No. replaced to 1000885
	1008085	bolt	3	M8 x 85	
16	3600082	spring washer	3	M8	
17	CD24417	strainer body (A)	1		T. S. No. 000101 onward 1st, 2nd cat. No. replaced to CD24417
	CC24417	strainer body (A)	1		
18	8310340	O-ring	1	M34	
19	CD24428	strainer body (B)	1		

Fig. 52 CONTROL VALVE



# CONTROL VALVE

Ref. No.	Part No.	Description	Q'ty	Size	Remarks
	CC24220	height control valve ass'y	1		
1	VB00103	body	1		
2	VD00101	lap ass'y	1		
3	VB02207	cap	1		
4	VB02201	cap	1		
5	VB00803	unload valve	1		
6	VB00503	plug	1		
7	VB00201	relief valve ass'y	1		
8	VL01090	O-ring	1		
9	VL01500	O-ring	1		
10	VB01402	seat	1		
11	VB00504	plug	1		
12	VB02703	cover	1		
13	VB02601	shaft	2		
14	VB02401	arm	1		
15	VB02402	arm	1		
16	VB02501	link	1		
17	VK05062	circlip	1		CC24220
18	VM09520	steel ball	1		
19	VB01102	return spring	1		
20	VB01204	spring	1		
21	VB01205	spring	1		
22	VB02302	gasket	1		
23	VB02301	gasket	1		
24	VL02200	O-ring	2		
25	VL01500	O-ring	2		
26	VL01600	O-ring	2		
27	VL00900	O-ring	3		
28	VL01200	O-ring	4		
29	VL01090	O-ring	1		
30	VB02101	stop ring type-S	1		
31	VI50181	spring pin	4		
32	VH08362	bolt	3		
33	VJ08202	spring washer	13		
34	VH08632	bolt	1		
35	VH08802	bolt	6		
36	VG08252	bolt	3		
37	VA00051	name plate	1		
38		drive screw	2		
39	VC00202	link	1		

# CONTROL VALVE

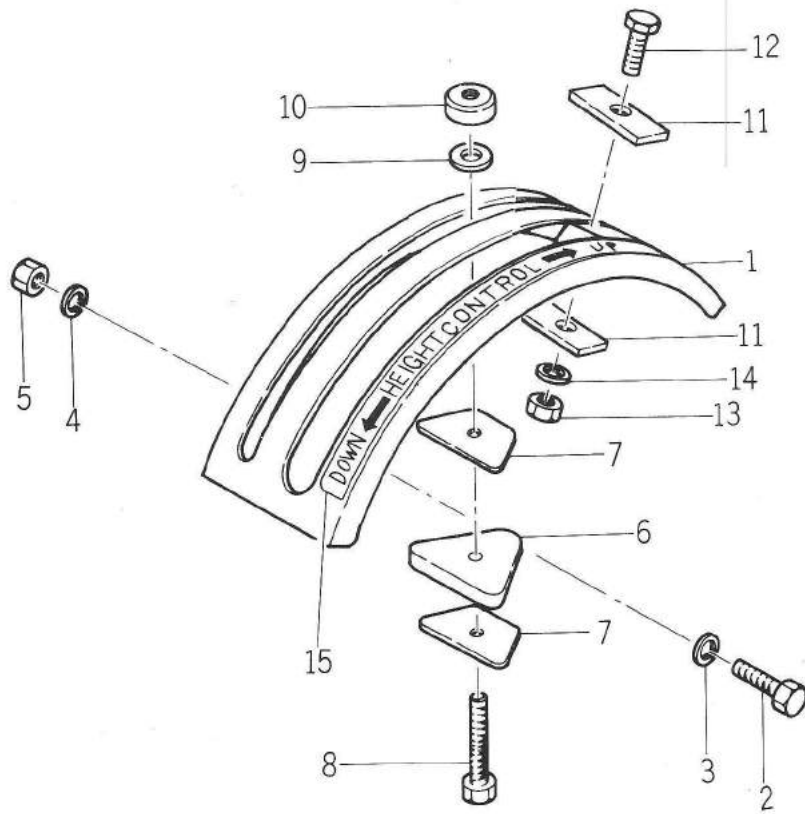
Ref. No.	Part No.	Description	Q'ty	Size	Remarks
40	VC00201	link	1		
41	VN01111	taper screw plug	1		

CC24220





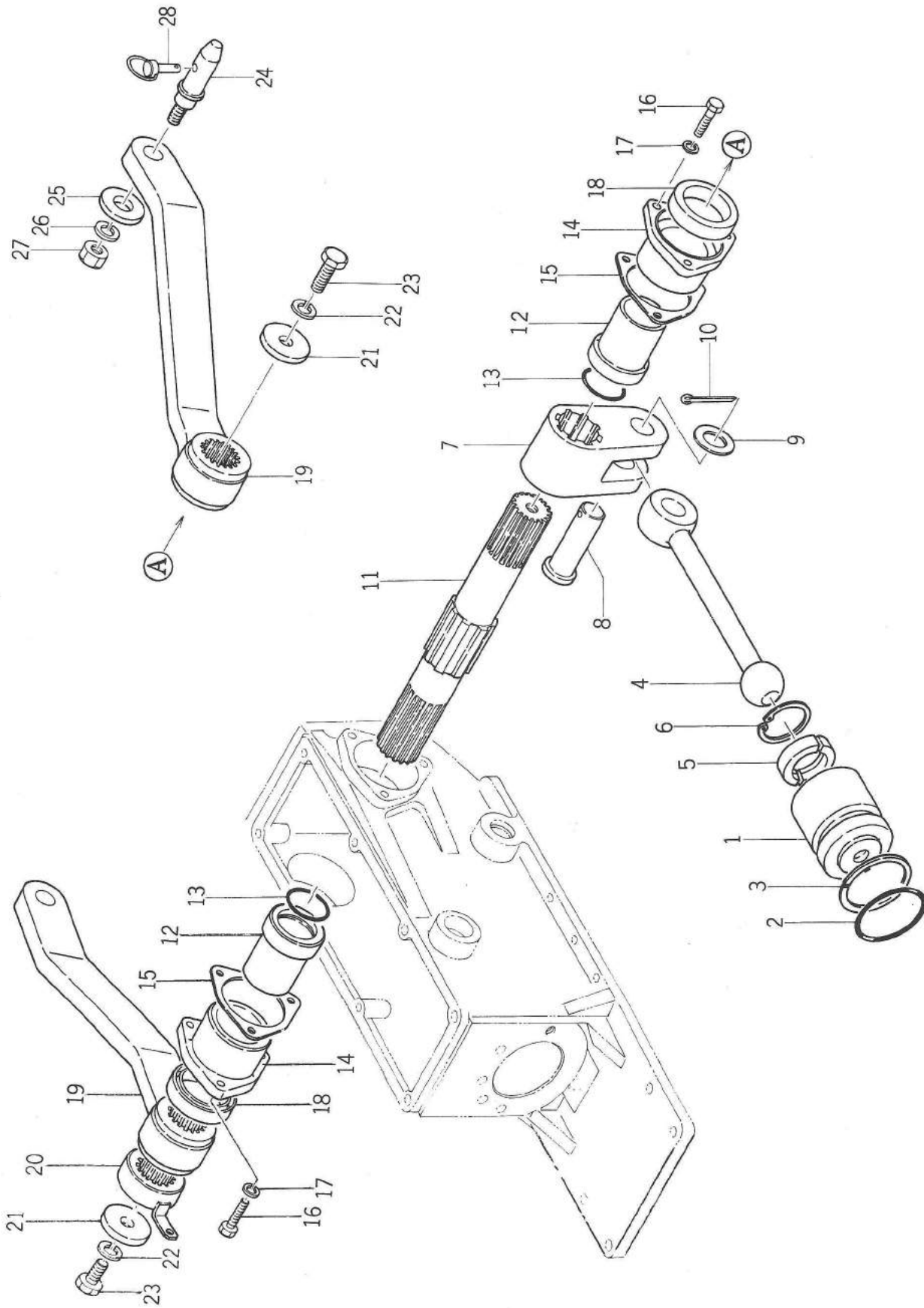
Fig. 53 QUADRANT



## QUADRANT

Ref. No.	Part No.	Description	Q'ty	Size	Remarks
1	CC24167	quadrant	1		T. S. No. 000101 onward 1st, 2nd cat. No. replaced to CC24167
	CA24120	quadrant	1		
2	2000816	screw	2	M8 x 16	
3	3500820	washer	2	M8	
4	3600082	spring washer	2	M8	T. S. No. 000101 onward 1st. cat. No. replaced to 3600082
	3600008		2	M8	
5	3000081	nut	2	M8	
6	CA24130	rubber guide	2		
7	CA24140	washer	4		
8	2000625	screw	2	M6 x 25	
9	3500620	washer	2	M6	
10	CC24207	hand nut	2	M6	
11	CC24210	lever stopper	2		
12	2000820	screw	1	M8 x 20	
13	3000081	nut	1	M8	
14	3600082	spring washer	1	M8	
15	CA27240	control lever operating mark	1		

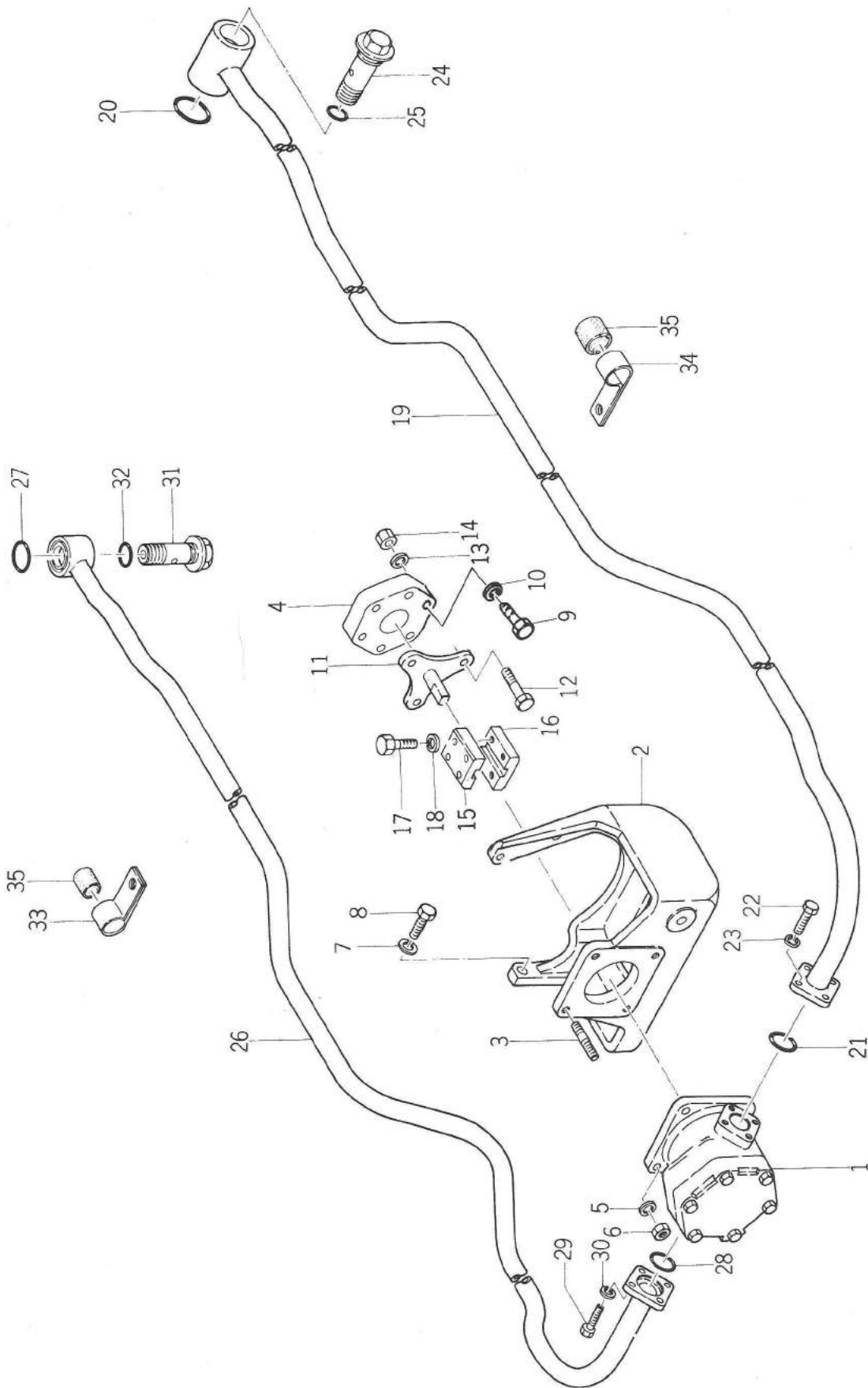
Fig. 54 HYDRAULIC LIFT



## HYDRAULIC LIFT

Ref. No.	Part No.	Description	Q'ty	Size	Remarks
1	CD24050	piston	1		
2	8310600	O-ring	1	M60	
3	CD24060	back up ring	1		
4	CD24070	connecting rod	1		
5	CD24080	rod retainer	2		
6	7410052	circlip	1	M52	
7	CD24110	ram arm	1		
8	CD24120	lift fork pin	1		
9	CD24130	washer	1		
10	5240035	cotter pin	1	M4 $\phi$ x35	
11	CD24207	ram shaft	1		
12	CD24230	ram shaft bush	2		
13	8310400	O-ring	2	M40	
14	CD24210	ram shaft support	2		
15	CD24220	support gasket	2		
16	2000830	screw	6	M8 x 30	
17	3600082	spring washer	6	M8	
18	T050659	oil seal	2	TC50659	
19	CD2424P	ram shaft arm	2		T. S. No. 000101 onward 1st, 2nd cat. No. replaced to CD2424P
19	CD24240	ram shaft arm	2		
20	CC24030	striker arm boss	1		T. S. No. 000101 onward 1st, 2nd cat. No. replaced to CC24030
20	CD24030	striker arm boss	1		
21	CD24280	washer	2		
22	3600122	spring washer	2	M12	
23	2031230	screw	2	M12 x 30	
24	CD24900	arm pin	2		
25	GH32070	washer	2		
26	3600122	spring washer	2	M12	
27	3020121	nut	2	M12	
28	AE3542A	linch pin and ring	2		T. S. No. 000101 onward 1st, 2nd cat. No. replaced to AE3542A
28	AE35420	linch pin and ring	2		
<del>28</del>	<del>AE35420</del>				

Fig. 55 HYDRAULIC PUMP



## HYDRAULIC PUMP

Ref. No.	Part No.	Description	Q'ty	Size	Remarks
1	CA24510	pump (GPI/20A)	1		
2	CA24520	pump bracket	1		
3	1320820	stud, pump bracket	4	M8	T. S. No. 000101 onward 1st, 2nd cat. No. replaced to 1320820
3	1328020	stud, pump bracket	4	M8	
4	CA24530	CG type rubber coupling	1		
5	3600082	spring washer	4	M8	
6	3000081	nut	4	M8	
7	3600082	spring washer	2	M8	
8	2000825	screw	2	M8 x 25	
9	1000845	bolt	3	M8 x 45	T. S. No. 000101 onward
9	1008045	bolt	3	M8 x 45	1st, 2nd cat. No. replaced to 1000845
10	3600082	spring washer	3	M8	
11	CA24540	flange coupling	1		
12	1000845	bolt	3	M8 x 45	
13	3600082	spring washer	3	M8	
14	3000081	nut	3	M8	
15	CA24570	joint (A), pump	1		
16	CA24580	joint (B), pump	1		
17	1000625	bolt	4	M6 x 25	T. S. No. 000101 onward
17	1006025	bolt	4	M6 x 25	1st, 2nd cat. No. replaced to 1000625
18	3600062	spring washer	4	M6	
19	CA24617	suction pipe	1		T. S. No. 000101 onward
19	CA24610	suction pipe	1		1st cat. No. replaced to CA24617
20	8350300	O-ring	1	M30	
21	8350220	O-ring	1	M22	
22	CA24631	bolt	4	M6 x 20	T. S. No. 000101 onward
22	1006020	bolt	4	M6 x 20	1st, 2nd cat. No. replaced to CA24631
23	3600062	spring washer	4	M6	
24	CD24440	strainer body (C)	1		
25	8310220	O-ring	1	M22	
26	CA24657	delivery pipe	1		T. S. No. 000101 onward
26	CA24650	delivery pipe	1		1st cat. No. replaced to CA24657
27	8310240	O-ring	1	M24	

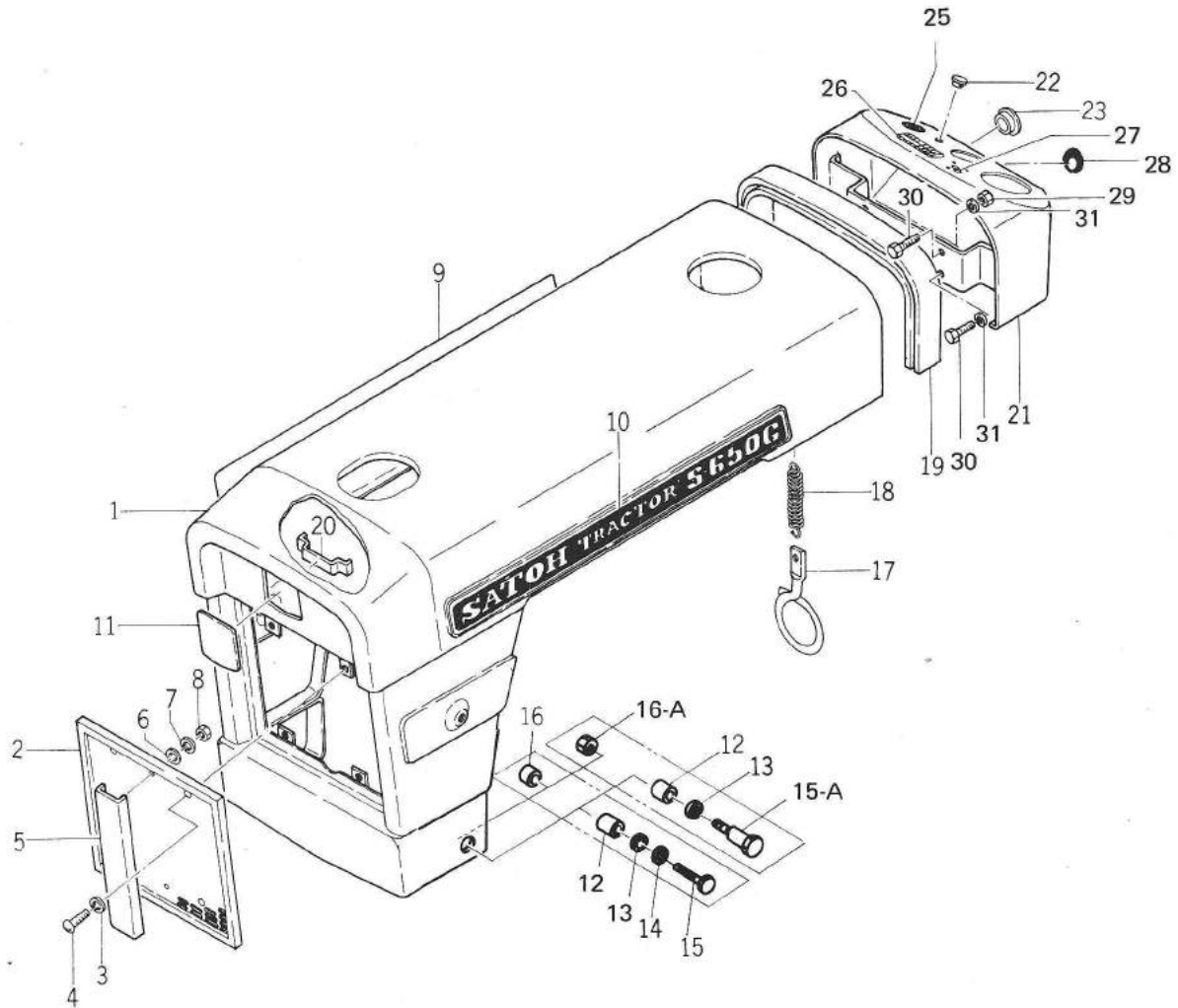
## HYDRAULIC PUMP

Ref. No.	Part No.	Description	Q'ty	Size	Remarks
28	8350220	O-ring	1	M22	T. S. No. 000101 onward
28	8315022	O-ring	1	M22	1st cat. No. replaced to 8350220
29	CA24631	bolt	4	M6 x 20	
29	1006020	bolt	4	M6 x 20	1st, 2nd cat. No. replaced to CA24631
30	3600062	spring washer	4	M6	
31	CC24340	banjo bolt	1		
32	8310180	O-ring	1	M18	
33	CA24680	clamp (A)	1		
34	CA24690	clamp (B)	1		
35	CA24710	cushion rubber	2		





Fig. 56 BONNET

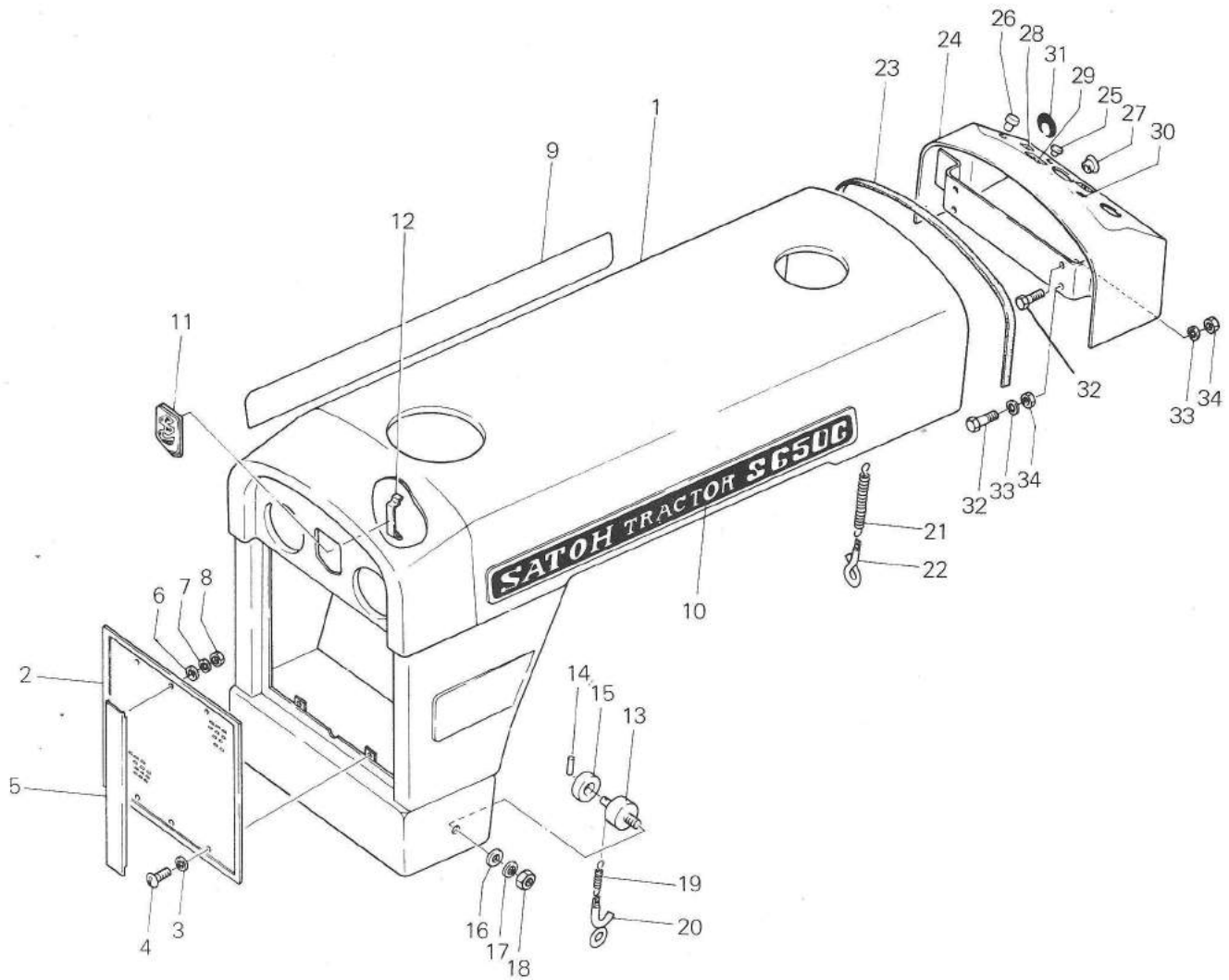


## BONNET

Ref. No.	Part No.	Description	Q'ty	Size	Remarks
	CA25000	bonnet ass'y	1		
1	CA25010	. bonnet	1		
2	CA25060	. louver ass'y	1		
3	3600082	. spring washer	4	M8	
4	2118016	. minus screw	4	M8 x 16	
5	CD25217	. center mast	1		
6	3500615	. washer	2	M6	
7	3600062	. spring washer	2	M6	
8	3000061	. nut	2	M6	
9	CA27030	. transfer (R. H mark)	1		
10	CA27040	. transfer (L. H mark)	1		
11	CD27410	. bonnet motif	1		
12	CD25247	cushion rubber	2		
13	3501225	washer	2	M12	
14	3600122	spring washer	2	M12	
15	CD25237	bolt	2		Refer to T. S. B. Miscellaneous 0006,0010
16	EL18070	collar	2		
15-A	CA25080	bolt	2		Refer to T. S. B. Miscellaneous 0006,0010
16-A	3000121	nut	2		
17	CE25180	finger grip	2		
18	NW15240	spring	2		
19	CD25360	beading	1		
20	CD25380	set spring	1		
21	CA25100	instrument panel	1		
22	CA25160	cap, flasher	1		
23	DE25190	mast support	1		
24	CA25170	cap. horn	1		T. S. No. 000101 onward Deleted
25	CD27397	light switch plate	1		T. S. No. 000101 onward
24	CD27397	light switch plate	1		2nd cat. Ref. No. replaced to 25
26	CD95160	gear speed chart	1		T. S. No. 000101 onward
25	CD95160	gear speed chart	1		2nd cat. Ref. No. replaced to 26
27	CD95170	throttle lever operation mark	1		T. S. No. 000101 onward
26	CD95170	operation mark	1		2nd cat. Ref. No. replaced to 27
28	CA27180	starter switch mark plate	1		T. S. No. 000101 onward
27	CA27180	starter switch mark plate	1		2nd cat. Ref. No. replaced to 28
29	3000081	nut	1	M8	T. S. No. 000101 onward
28	3000081	nut	1	M8	2nd cat. Ref. No. replaced to 29
					Add to 1st cat.

Ref. No.	Part No.	Description	Q'ty	Size	Remarks
30	2000816	screw	4	M8 x 16	T. S. No. 000101 onward
29	2000816	screw	4	M8 x 16	2nd cat. Ref. No. replaced to 30 Add to 1st cat.
31	3600082	spring washer	4	M8	T. S. No. 000101 onward
30	3600082	spring washer	4	M8	2nd cat. Ref. No. replaced to 31 Add to 1st cat.

Fig. 56 BONNET (Serial No. 200001 onward)

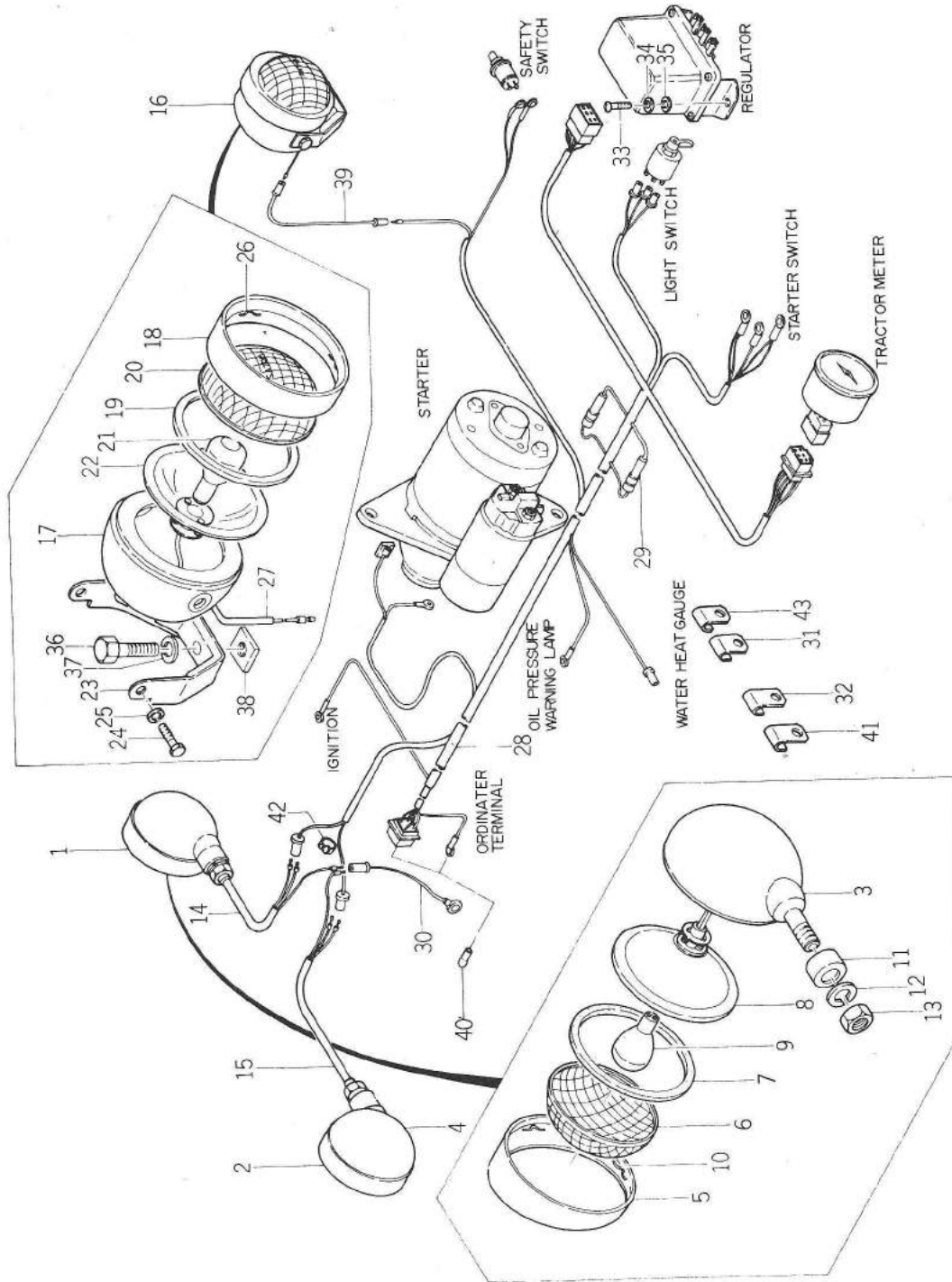


BONNET (Serial No. 200001 onward)

Ref. No.	Part No.	Description	Q'ty	Size	Remarks
	CA2500F	bonnet ass'y	1		T.S.No. 200001 onward
1	CA2501K	. bonnet	1		
2	CA25060	. louver ass'y	1		
3	3600082	. spring washer	4	M8	
4	2118016	. minus screw	4	M8 x 16	
5	CD25217	. center mast	1		
6	3500615	. washer	2	M6	
7	3600062	. spring washer	2	M6	
8	3000061	. nut	2	M6	
9	CA27030	. transfer (R.H. mark)	1		
10	CA27040	. transfer (L.H. mark)	1		
11	CD27410	. bonnet motif	1		
12	CD25380	. set spring	1		
13	CA2508K	bolt	2		
14	5502512	spring pin	2		
15	CA25090	cushion rubber	2		
16	3501025	washer	2		
17	3600102	spring washer	2		
18	3030101	nut	1		
19	FB44130	spring	2		
20	CA25091	finger grip	2		
21	PE15240	spring	2		
22	CE25180	finger grip	2		
23	CD25360	beading	1		
24	CA25100	instrument pannel	1		
25	CA25160	cap	1		
26	CA25170	cap, horn	1		
27	DE25190	mast support	1		
28	CD27397	light switch plate	1		
29	CD95160	gear speed chart	1		
30	CD95170	throttle lever operation mark	1		
31	CA27180	starter switch mark plate	1		
32	2000816	screw	4	M8 x 16	
33	3600082	spring washer	4	M8	
34	3000081	nut	1	M8	

CA2500F

Fig. 57 ELECTRICAL MECHANISM

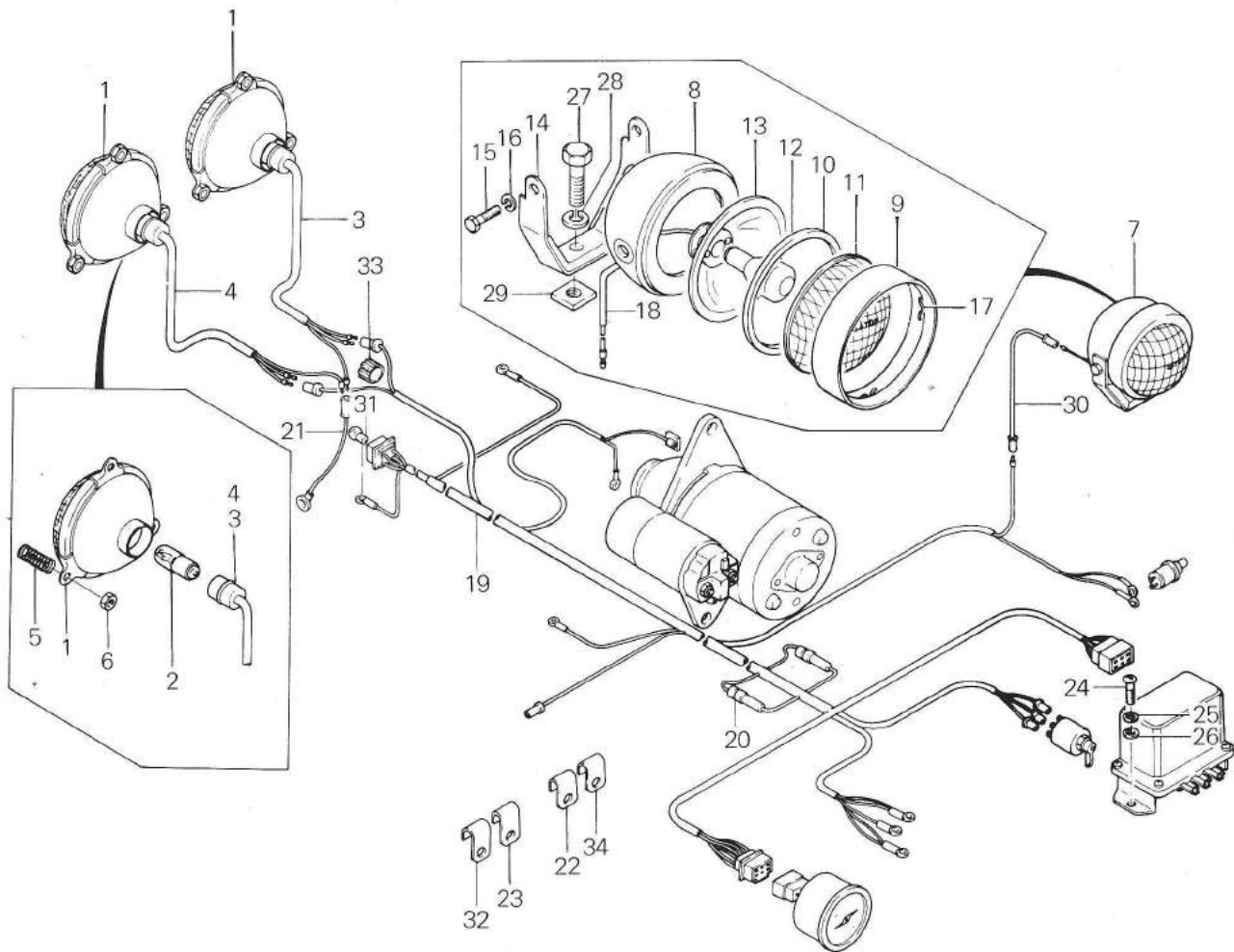


## ELECTRICAL MECHANISM

Ref. No.	Part No.	Description	Q'ty	Size	Remarks	
1	CA2828R	head lamp ass'y (R. H)	1			
2	CA2828L	head lamp ass'y (L. H)	1			
3	CD2828K	cup (R. H)	1		<div style="display: flex; align-items: center;"> <div style="font-size: 3em; margin-right: 10px;">}</div> <div> <p>CA2828R</p> <p>CA2828L</p> </div> </div>	
4	CD28280	cup (L. H)	1			
5	CD2828P	. rim	2			
6	CD2828Q	. lens	2			
7	CD2828U	. packing	2			
8	CD2828V	reflector	2			
9	CD2828W	bulb	2			
10	CD2828X	spring	6			
11	CD2828Y	packing	2			
12	CD2828Z	spring washer	2			
13	CD28286	nut	2			
14	CA2828K	lead ass'y (R. H)	1			with socket
15	CA28280	lead ass'y (L. H)	1			with socket
16	CA28300	flood lamp ass'y	1			
17	CD57011	. cup	1			
18	CD57012	. rim	1			
19	CD57013	. packing	1			
20	CD57014	. lens	1			
21	CD57015	. bulb	1			
22	CD57016	. reflector	1			
23	CD57017	. support	1			
24	CD57018	. bolt	2			
25	CD57019	. spring washer	2			
26	CD5701K	. spring	3			
27	CA2830A	. lead ass'y	1			
28	CA28710	wiring harness	1			
29	CG28950	fuse	2	10A		
30	CA28750	cable	1			
31	CD28650	hook (A)	2			
32	CD28667	hook (B)	2			
33	2116012	screw	2	M6 x 12	For Regulator	
34	3600062	spring washer	2	M6		
35	3500615	washer	2			
36	2031025	. screw	1	M10 x 25		
37	3600102	. spring washer	1	M10		
38	CD57050	. cushion rubber	1			
39	CA28310	hood lamp lead	1		Add to 1st cat.	

Ref. No.	Part No.	Description	Q'ty	Size	Remarks
40	CA28730	cap	1		T. S. No. 000101 onward
40	CA28737	cap	1		2nd cat. No. replaced to CA28730
					Add to 1st cat.
41	CD2866K	hook (B)	1		Deleted
42	GJ49430	cord band	1		Add to 1st cat.
43	CA28760	hook (D)	2		T. S. No. 001681 onward
					3rd cat. Q'ty = 2
43	CA28760	lead wire stopper	1		T. S. No. 000101 ~ 001680
					2nd cat. Q'ty = 1 Description replaced to "hook (D)"
					Add to 1st cat.

Fig. 57 ELECTRICAL MECHANISM (Serial No. 200001 onward)

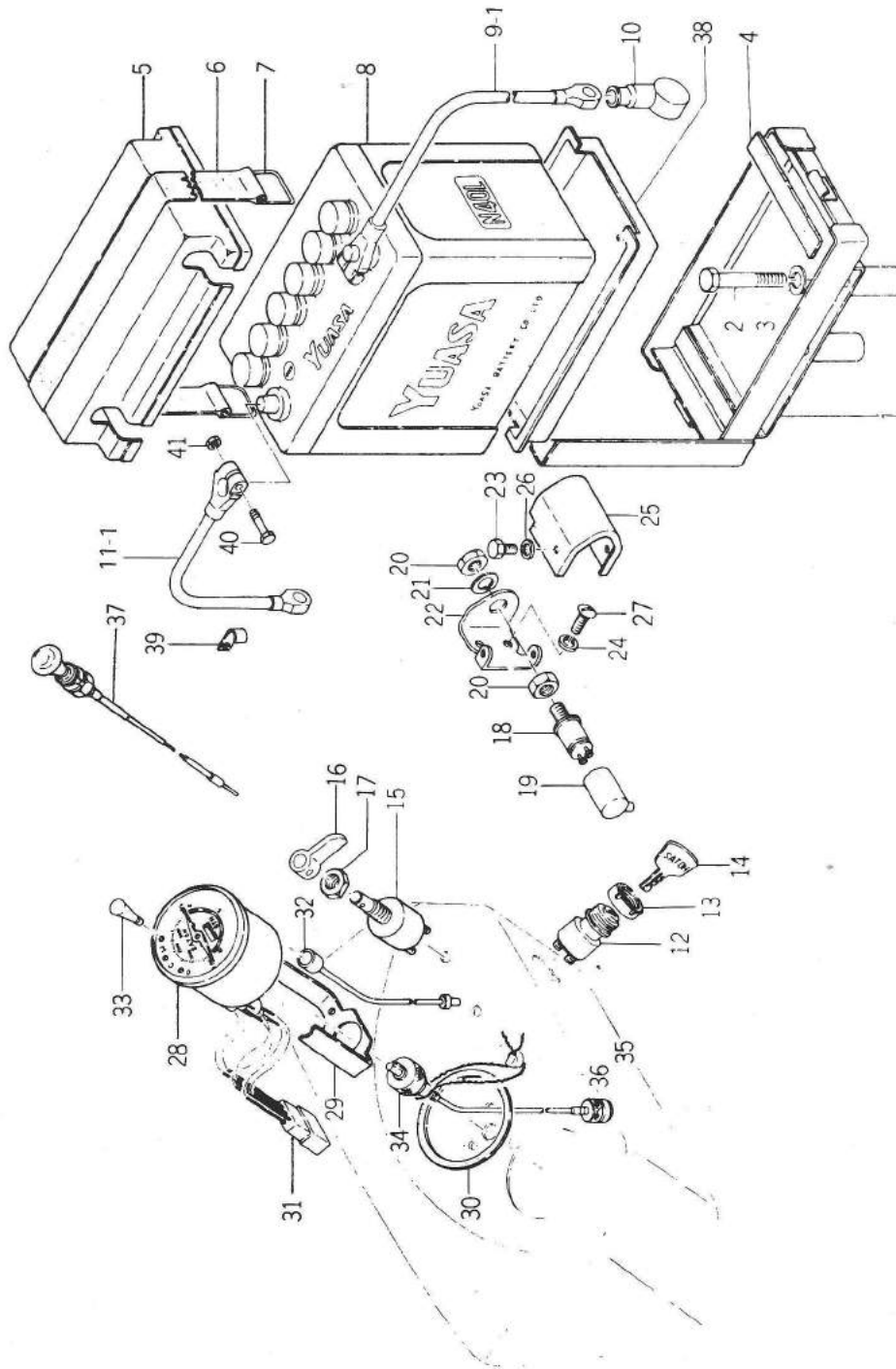




**ELECTRICAL MECHANISM (Serial No. 200001 onward)**

Ref. No.	Part No.	Description	Q'ty	Size	Remarks
	CA2828Q	head lamp ass'y (R.H.)	1		Refer to T.S.B. 2 Electrical Equipment T.S.No. 200001 onward
	CA2828U	head lamp ass'y (L.H.)	1		
1	CA28283	sealed beam unit	2		} CA2828Q (RH) CA2828U (LH)
2	CA28284	bulb	2		
3	CA28285	socket ass'y (R.H.)	1	ℓ = 930	
4	CA28286	socket ass'y (L.H.)	1	ℓ = 710	
5	CA28287	coil spring	6		
6	3000051	nut	6		
7	CA28300	flood lamp ass'y	1		
8	CD57011	. cup	1		
9	CD57012	. rim	1		
10	CD57013	. packing	1		
11	CD57014	. lens	1		
12	CD57015	. bulb	1		
13	CD57016	. reflector	1		
14	CD57017	. support	1		
15	CD57018	. bolt	2		
16	CD57019	. spring washer	2		
17	CD5701K	. spring	3		
18	CA2830A	. lead ass'y	1		
19	CA28710	wiring harness	1		
20	CG28950	fuse	2	10A	
21	CA28750	cable	1		
22	CD28650	hook (A)	2		
23	CD28667	hook (B)	2		
24	2116012	screw	2	M6 x 12	For Regulator
25	3600062	spring washer	2	M6	
26	3500615	washer	2		
27	2031025	. screw	1	M10 x 25	
28	3600102	. spring washer	1	M10	
29	CD57050	. cushion rubber	1		
30	CA28310	hood lamp lead	1		
31	CA28730	cap	1		
32	CD2866K	hook (B)	1		Deleted
33	GJ49430	cord band	1		Add to 1st cat.
34	CA28760	hook (D)	2		T.S. No. 001681 onward 3rd cat, Q'ty = 2

Fig. 58 ELECTRICAL EQUIPMENT



## ELECTRICAL EQUIPMENT

Ref. No.	Part No.	Description	Q'ty	Size	Remarks	
1	CA28010	battery tray	1			
2	1021270	bolt	2	M12 x 70		
3	3600122	spring washer	2	M12		
4	CA28070	rubber cushion	2			
5	CA28080	dirt excluder	1			
6	CA28090	battery tie with ring	1			
7	GJ49020	ring	2		T. S. No. 000101 onward not saleable	
8	CA28200	battery	1			
9	CA2821A	plus cable ass'y	1		with bolt & nut, Ref. 40 & 41 ea. 2	
9-1	CA28210	plus cable	1		}	
10	CD28031	cap	1			CA2821A
40	CA28211	bolt	1			
41	CA28212	nut	1			
	CA2822A	minus cable ass'y	1		with bolt & nut, Ref. 40 & 41	
11-1	CA28220	minus cable	1		}	
40	CA28211	bolt	1			CA2822A
41	CA28212	nut	1			
	CA2825B	starter switch ass'y	1		}	
	CA2825A	starter switch ass'y	1			T. S. No. 000101 onward 1st cat. No. replaced to CA2825B
12	CA2825K	. starter switch body	1		}	
	CA28251	. starter switch body				
13	CA28250	. ring nut	1		}	
	CA28252	. ring nut				
	CA28250	. ring nut				
14	CA2825P	. key	1		}	
	CA28253	. key				
	CD2827A	lighting switch ass'y	1		}	
	CA2827A	lighting switch ass'y	1			T. S. No. 000101 onward 1st, 2nd cat. No. replaced to CD2827A
15	CD2827K	. lighting switch body	1		}	
16	CD28270	. finger grip screw				
17	CD2827P	. nut				
	CA28407	safety switch ass'y	1			
18	CA2841Q	. safety switch	1		}	
	CA28417	. safety switch				
19	CA2841K	. dirt excluder (B)	1		}	
20	CA2841O	. nut				
21	CA2841P	. spring washer				

## ELECTRICAL EQUIPMENT

Ref. No.	Part No.	Description	Q'ty	Size	Remarks
22	CA28430	support	1		
23	2000610	screw	2	M6 x 10	
24	3600062	spring washer	2	M6	T. S. No. 000101 onward
24	3600062	spring washer	4	M6	2nd cat. Q'ty replaced to 2
25	CA28440	safety switch cover	1		
26	3600062	spring washer	2	M6	
27	2420610	plus screw	2	M6 x 10	T. S. No. 000101 onward
	2000610	plus screw	2	M6 x 10	1st, 2nd cat. No. replaced to 2420610
	CA2861A	tractor meter ass'y	1		
28	CA28611	tractor meter body	1		with Nut 2pcs.
29	CD28612	body support	1		
30	CD28613	packing	1		
31	CA28614	lamp socket (A)	1		
32	CA28615	lamp socket (B)	1		
33	CD28616	bulb	4		
34	CA28620	cable	1		
35	CA28650	sealing metal	1		
36	CA28660	wire	1		
37	CA0030K	choke wire ass'y	1		
38	CA28110	dish	1		Add to 1st cat.
39	CD28667	hook	1		Add to 1st cat.
40	CA28211	bolt	2		Add to 1st cat.
41	CA28212	nut	2		Add to 1st cat.
42	2420610	plus screw	2		T. S. No. 000101 onward Deleted, Added on 2nd cat.



Fig. 59 PERMANENT DRAWBAR

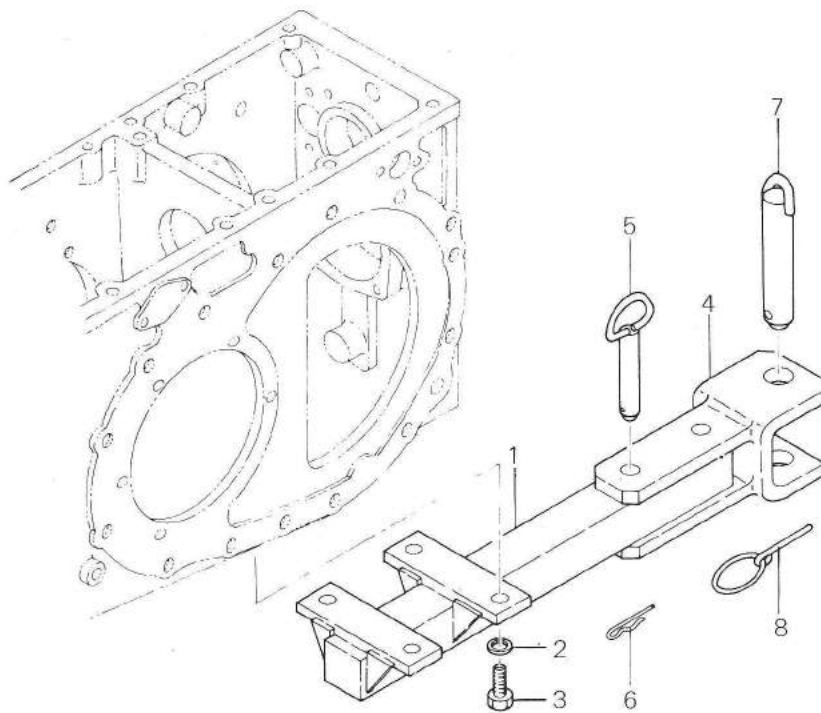
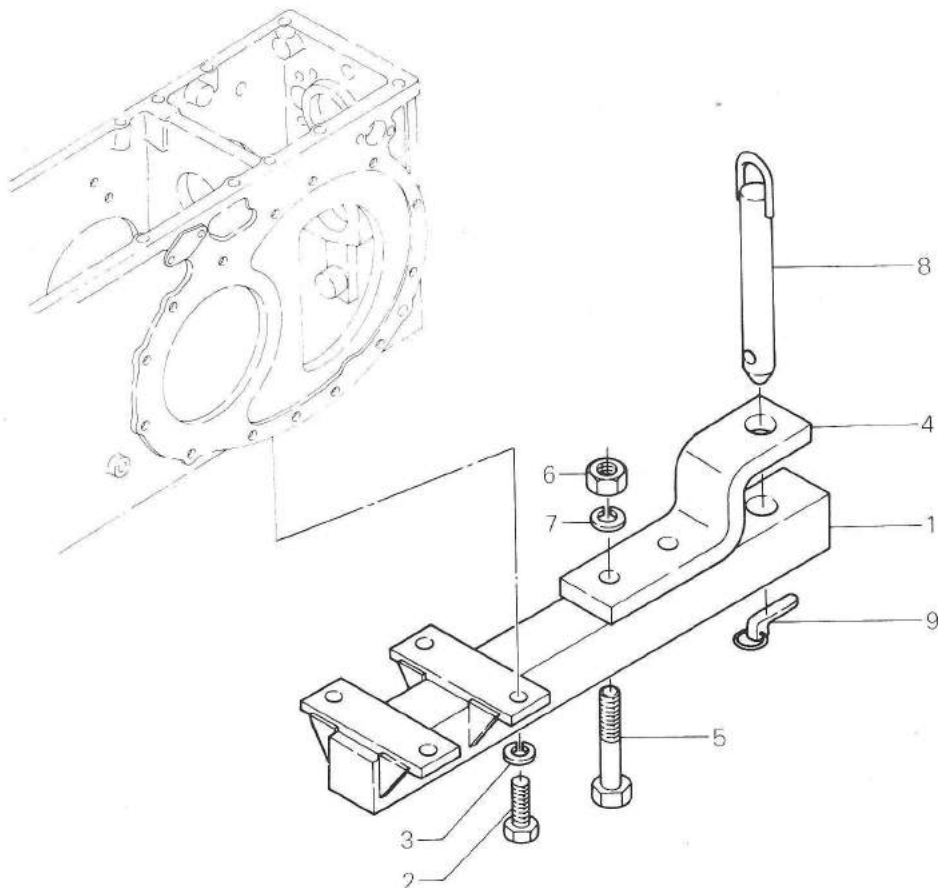


Fig. 59 PERMANENT DRAWBAR (Serial No. 200001 onward)



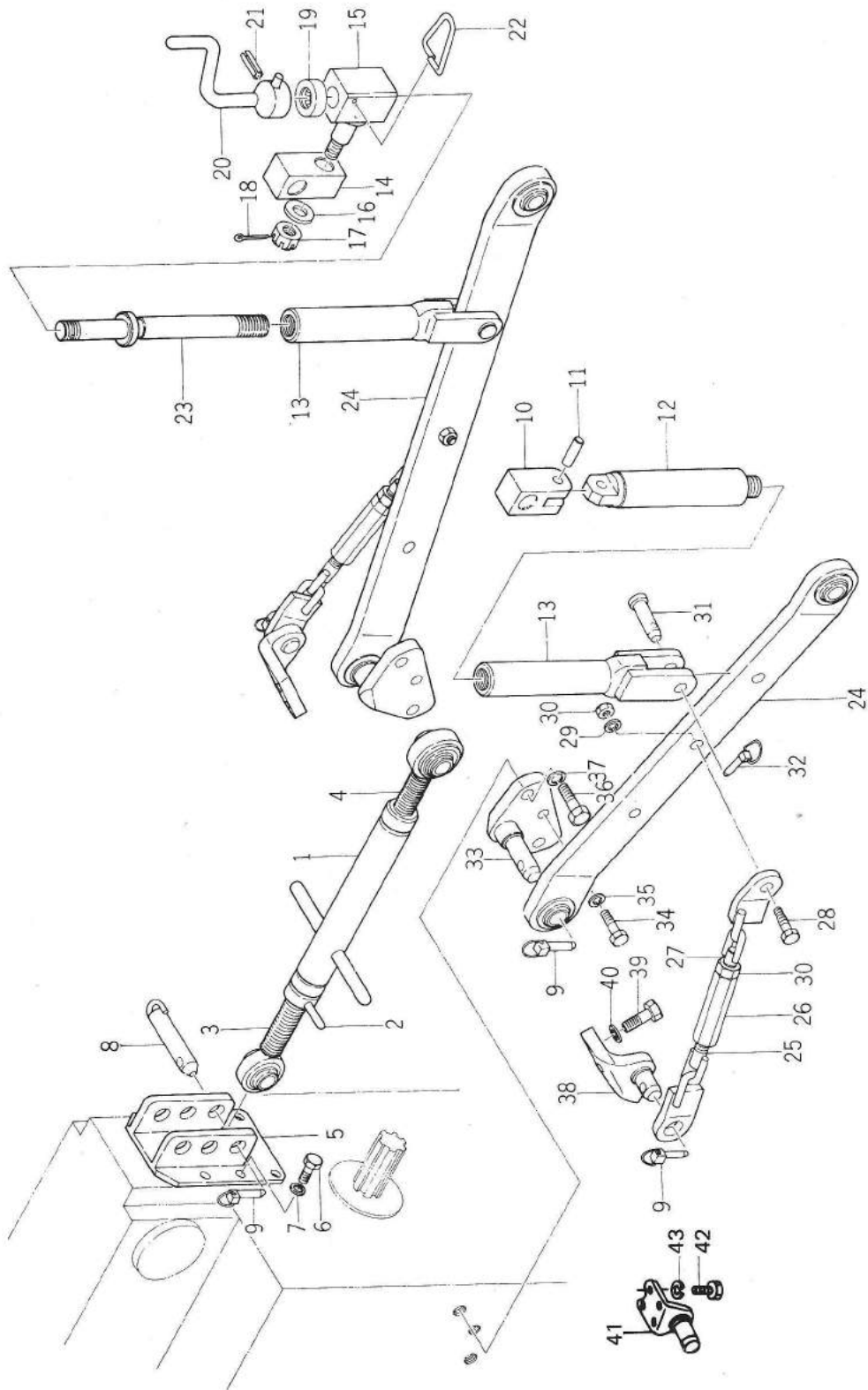
**PERMANENT DRAWBAR**

Ref. No.	Part No.	Description	Q'ty	Size	Remarks
1	CA26510	drawbar	1		
2	3600142	spring washer	4	M14	
3	1021430	bolt	4	M14 x 30	
4	CA26527	drawbar hitch	1		T. S. No. 001101 onward 2nd cat.
4	CA26520	drawbar hitch	1		T. S. No. 000101 ~ 001100 1st cat. No. replaced to CA26527
5	CD2655A	lock pin	2		
6	5210160	spring clip	2		
7	CD26560	hitch pin	1		
8	AE35420	linch pin and ring	1		

**PERMANENT DRAWBAR (Serial No. 200001 onward)**

Ref. No.	Part No.	Description	Q'ty	Size	Remarks
	CA26507	permanent drawbar ass'y	1		Refer to T.S.B. 9 Parts T.S.No. 200001 onward
1	CA2651K	drawbar	1		} CA26507
2	1021430	bolt	4	M14 x 30	
3	3600142	spring washer	4	M14	
4	CA41580	clevis bracket	1		
5	1121680	bolt	2	M16 x 80	
6	3031161	nut	2	M16	
7	3600162	spring washer	2	M16	
8	CA26570	hitch pin	1		
9	AE35420	linch pin	1		

Fig. 60 3 POINT LINAKGE





### 3 POINT LINKAGE

Ref. No.	Part No.	Description	Q'ty	Size	Remarks
	CA31000	3 point linkage ass'y	1		T. S. No. 001101 onward Interchangeable on No. 001550 onward Interchangeable on No. 001549 inward except Stabilizer Bracket
1	CD5000A	3 point linkage ass'y	1		T. S. No. 001100 inward 1st cat. No. replaced to CA31000
	CD50008	top link ass'y	1		Added on 3rd cat.
1	CD5010B	turn buckle	1		Interchangeable
1	CD5010A	turn buckle	1		1st cat. No. replaced to CD5010B
2	CD5014A	lock nut	1		} CD50008
3	CD5004B	screw & ball socket ass'y (front)	1		
3	CD5004A	screw & ball socket ass'y (front)	1		
4	CD5016B	screw & ball socket ass'y (rear)	1		
4	CD5016A	screw & ball socket ass'y (rear)	1		
5	CA31010	top link support	1		T. S. No. 001101 onward Interchangeable
5	CD50010	top link support	1		T. S. No. 001100 inward 1st cat. No. replaced to CA10100
6	2001020	screw	6	M10 x 20	
7	3600102	spring washer	6	M10	
8	CD50080	link pin	2		} CA31000
9	AE3542A	linch pin & ring	8		
9	CD50571	linch pin & ring	8		2nd cat. No. replaced to AE3542A
	CD5017A	lift rod (L. H) ass'y	1		T. S. No. 001101 onward Interchangeable
10	CD50170	lift rod joint (A)	1		T. S. No. 001100 inward
11	CD50180	lift rod joint pin	1		} CD5017A
12	CD5020A	adjustment screw (A)	1		
13	CD5021B	lift rod	2		Interchangeable
13	CD5021A	lift rod	2		1st cat. No. replaced to CD5021B
	CA31100	lifting handle ass'y	1		T. S. No. 001101 onward Interchangeable as an ass'y
	CD50247	lifting handle ass'y	1		T. S. No. 001100 inward 1st cat. No. replaced to CA31100
14	CD50250	lift rod joint (C)	1		
15	CA31147	lifting sleeve	1		
15	CD5030A	lifting sleeve	1		1st cat. No. replaced to CA31147

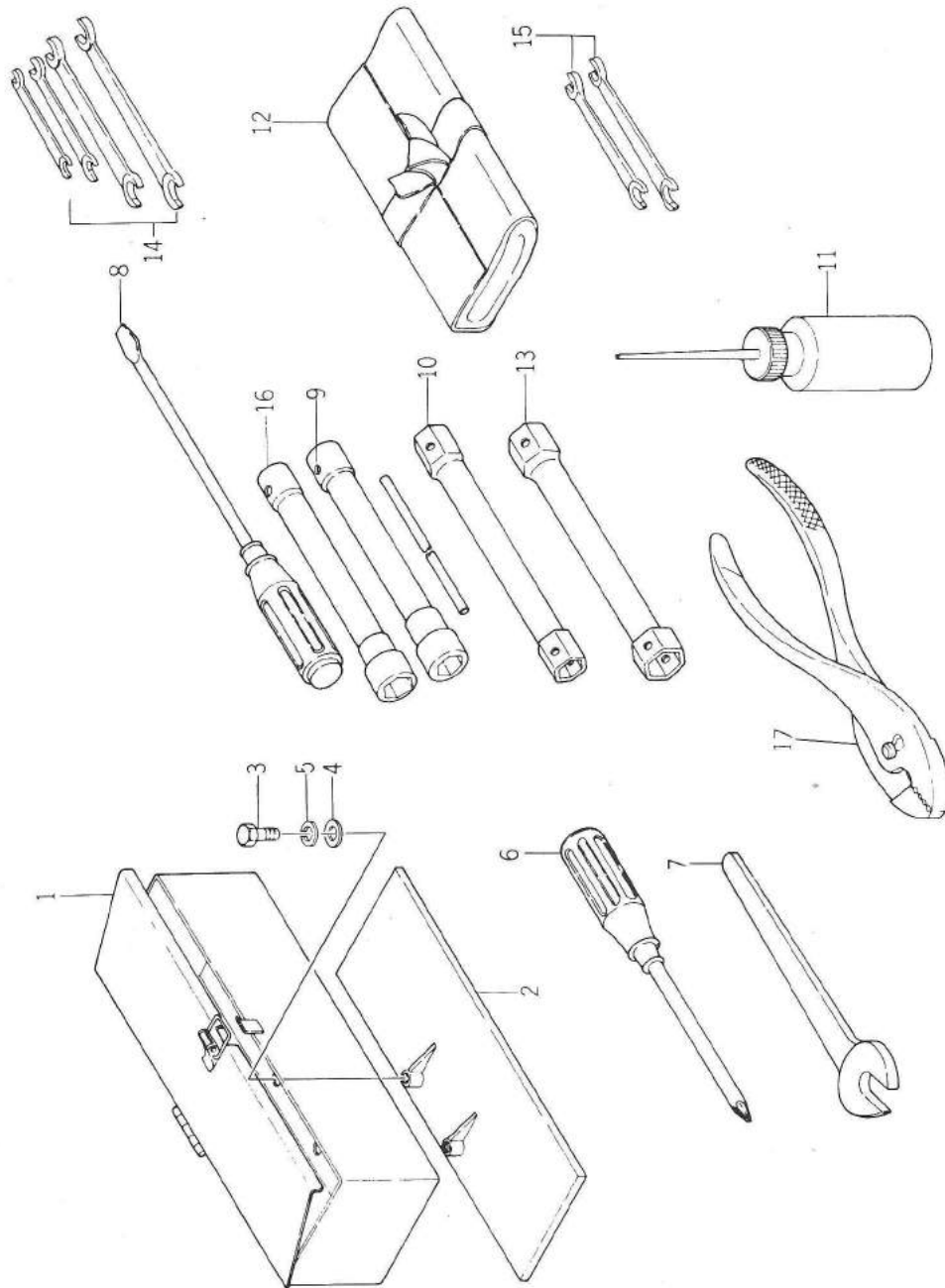
### 3 POINT LINKAGE

Ref. No.	Part No.	Description	Q'ty	Size	Remarks
16	CD50270	washer	1		
17	3100160	castle nut	1	M16 P1.5	
17	3100016	castle nut	1		1st, 2nd cat. No. replaced to 3100160
18	5240025	cotter pin	1	M4 $\phi$ x25	CA31100
19	B000265	thrust bearing	1		
20	CA31110	handle	1		T. S. No. 001101 onward
20	CD5028A	handle	1		T. S. No. 001100 inward 1st cat. No. replaced to CA31110
21	5506045	spring pin	1		
22	CA31137	ring	1		T. S. No. 001101 onward CA31147. CA31110 should be serviced simultaneously
22	CA31130	ring	1		2nd cat. No. replaced to CA31137
23	CD5032A	adjustment screw (B)	1		
22	CD5032A	adjustment screw (B)	1		1st cat. Ref. No. replaced to 23
24	CD5034P	lower link	2		T. S. No. 001101 onward Interchangeable
24	CD50340	lower link (R. H)	2		2nd cat. No. replaced to CD5034P
23	CD5034R	lower link (R. H)	1		T. S. No. 001100 inward 1st cat. No. replaced to CD5034P
24	CD5034L	lower link (L. H)	1		T. S. No. 001100 inward 1st cat. No. replaced to CD5034P
					CA31000
	CD5035A	check chain ass'y	2		T. S. No. 000101 onward
	CD50357	check chain ass'y	2		1st, 2nd cat. No. replaced to CD5035A
25	CD5039A	check chain screw (A)	2		
26	CD5040A	turn buckle	2		T. S. No. 000101 onward Interchangeable
26	CD5040B	turn buckle	2		2nd cat. No. replaced to CD5040A
27	CD5042A	check chain screw (B)	2		CD5035A
30	3000162	nut	2		
28	1021645	bolt	2	M16 x 45	T. S. No. 000101 onward
28	2001645	screw	2	M16 x 45	1st, 2nd cat. No. replaced to 1021645
29	3600162	spring washer	2	M16	
30	3000162	nut	2	M16	T. S. No. 000101 onward
30	3000162	nut	4	M16	2nd cat. Q'ty replaced to 2
31	CD50440	pin	2		

### 3 POINT LINKAGE

Ref. No.	Part No.	Description	Q'ty	Size	Remarks
32	CD5045A	linch pin & ring	2		Interchangeable 2nd cat. No. replaced to CD5045A
32	CD50591	linch pin & ring	2		
33	CD50507	lower link bracket	2		
34	1022110	bolt	2	M12 x 110	
35	3600122	spring washer	2	M12	
36	1021640	bolt	4	M16 x 40	
37	3600162	spring washer	4	M16	CA31000
38	CD50537	stabilizer bracket	2		1st cat. No. replaced to CD50537
38	CD50530	stabilizer bracket	2		
39	1021235	bolt	4	M12 x 35	T. S. No. 001550 inward
40	3600122	spring washer	4	M12	Not interchangeable
41	CA31177	stabilizer bracket	2		Refer to TSB5HYDRAULIC LIFT LINKAGE (Not Interchangeable)
42	CA31190	bolt	8	M14 x 35	
43	3600143	spring washer	8	M14	T. S. No. 001551 onward

Fig. 61 TOOLS



## TOOLS

Ref. No.	Part No.	Description	Q'ty	Size	Remarks
1	CB26007	tool box	1		
1	CB26000	tool box	1		1st, 2nd cat. No. replaced to CB26007
2	CD26050	support, tool box	1		
3	2031265	screw	1	M12 x 65	
4	3501230	washer	2	M12	
4	3500120	washer	2	M12	1st, 2nd cat. No. replaced to 3501230
5	3600122	spring washer	2	M12	
6	0680030	4 inch driver set	each 1	±	
7	CD29020	single head wrench	1	M26	
8	CD29050	screw driver	1	—	
8	CD29030	man key wrench	1		1st cat. No. replaced to CD29050
9	CD29070	hub nut wrench	1	M23 x 26	
9	CD29050	screw driver	1		1st cat. No. replaced to CD29070
10	CD29080	box wrench	1	M14 x 17	
11	CD29080	box wrench	1		1st cat. Ref. No. replaced to 10
11	CD29100	oil gun	1		
12	CD29100	oil gun	1		1st cat. Ref. No. replaced to 11
12	CA29070	tool bag	1		
13	CA29070	tool bag	1		1st cat. Ref. No. replaced to 12
13	CD29110	box wrench	1	M19 x 21	
14	CD29110	box wrench	1		1st cat. Ref. No. replaced to 13
14	CA29010	wrench	each 1	M8 x 9 M12 x 14 M17 x 19 M21 x 23	
15	CA29010	wrench	1		1st cat. Ref. No. replaced to 14
15	CA29020	wrench	each 1	M10 x 12 M14 x 17	
16	CA29020	wrench	each 1		1st cat. Ref. No. replaced to 15
16	CA29030	plug wrench	1		
17	CA29030	plug wrench	each 1		1st cat. Ref. No. replaced to 16
17	CA29040	pliers	1		
18	CA29040	pliers	1		1st cat. Ref. No. replaced to 17

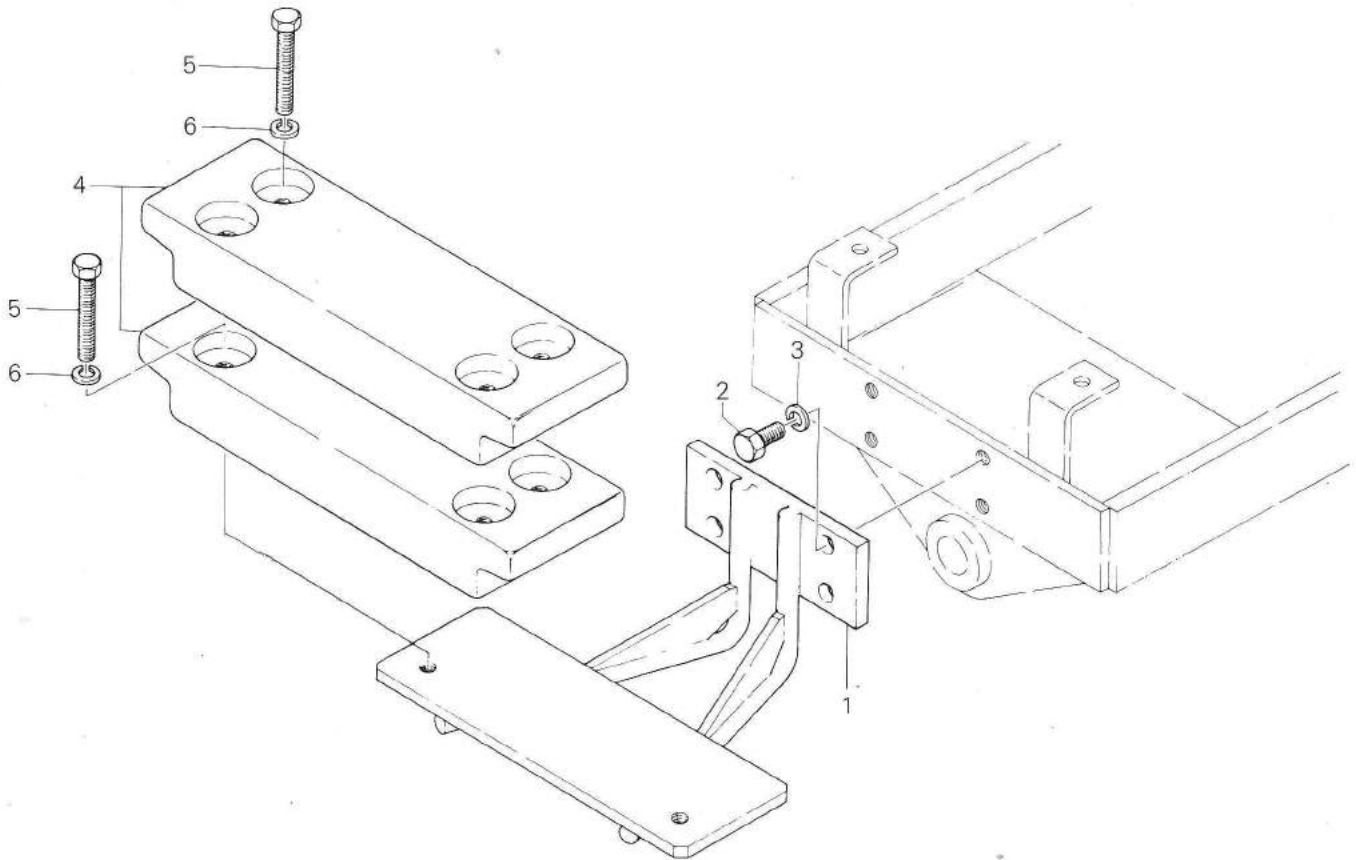
**PACKING AND GASKET SET (CA1013A)**

Page No.	Ref. No.	Part No.	Description	Q'ty	Size	Remarks
		CA1013A	packing and gasket set	1 kit		
64	16	CD10140	end plate gasket	1	CA1013A	
64	21	CB10130	lower cover gasket	1		
64	28	CD17137	cover gasket	1		
64	34	CD17150	ball housing gasket	1		
68	2	CD10180	case gasket (R. H)	1		
68	12	CD10220	case gasket (L. H)	1		
74	9	CD12050	end cover gasket	1		
75	35	CB13120	gasket, end plate	1		
78	20	CD13570	gasket	1		
84	2	CD14720	gasket	2		
86	13	CD15580	gasket	2		
88	17	CB16080	end plate gasket	1		
92	34	CA17020	plate gasket	1		
94	10	CD17610	gasket	1		
96	9	CD18050	gasket, shifter shaft metal	1		
106	9	CD20760	cap gasket	2		
108	5	CD21070	steering box cover gasket	1		
108	14	CD21150	flange gasket	1		
110	5	CD21050	gasket (B)	1		
110	12	CD21030	gasket (A)	1		
116	4	CD22350	brake cover gasket	2		
122	2	CD24020	case gasket	1		
122	8	CD24040	gasket	1		
134	15	CD24220	support gasket	2		

O-RING SET (8300000)

Page No.	Ref. No.	Part No.	Description	Q'ty	Size	Remarks
		8300000	O-ring	1 kit		
84	15	8310390	O-ring	2	M39	8300000
90	14	8310350	O-ring	1	M35	
92	13	8350250	O-ring	2	M25	
92	30	8310150	O-ring	1	M15	
92	36	8310160	O-ring	1	M16	
94	5	8310150	O-ring	1	M15	
94	13	8310160	O-ring	1	M16	
96	6	8310160	O-ring	1	M16	
102	16	8310300	O-ring	2	M30	
102	20	8310490	O-ring	2	M49	
112	9	8310220	O-ring	1	M22	
92	12	CD17100	X-ring	2		
116	8	8310180	O-ring	4	M18	
116	15	8310180	O-ring	2	M18	
126	18	8310340	O-ring	1	M34	
134	2	8310600	O-ring	1	M60	
134	13	8310400	O-ring	2	M40	
136	20	8350800	O-ring	1	M30	
136	21	8350220	O-ring	1	M22	
136	25	8310220	O-ring	1	M22	
136	27	8810240	O-ring	1	M24	
137	28	8350220	O-ring	1	M22	
137	32	8310180	O-ring	1	M18	

## CHASSIS WEIGHT SET

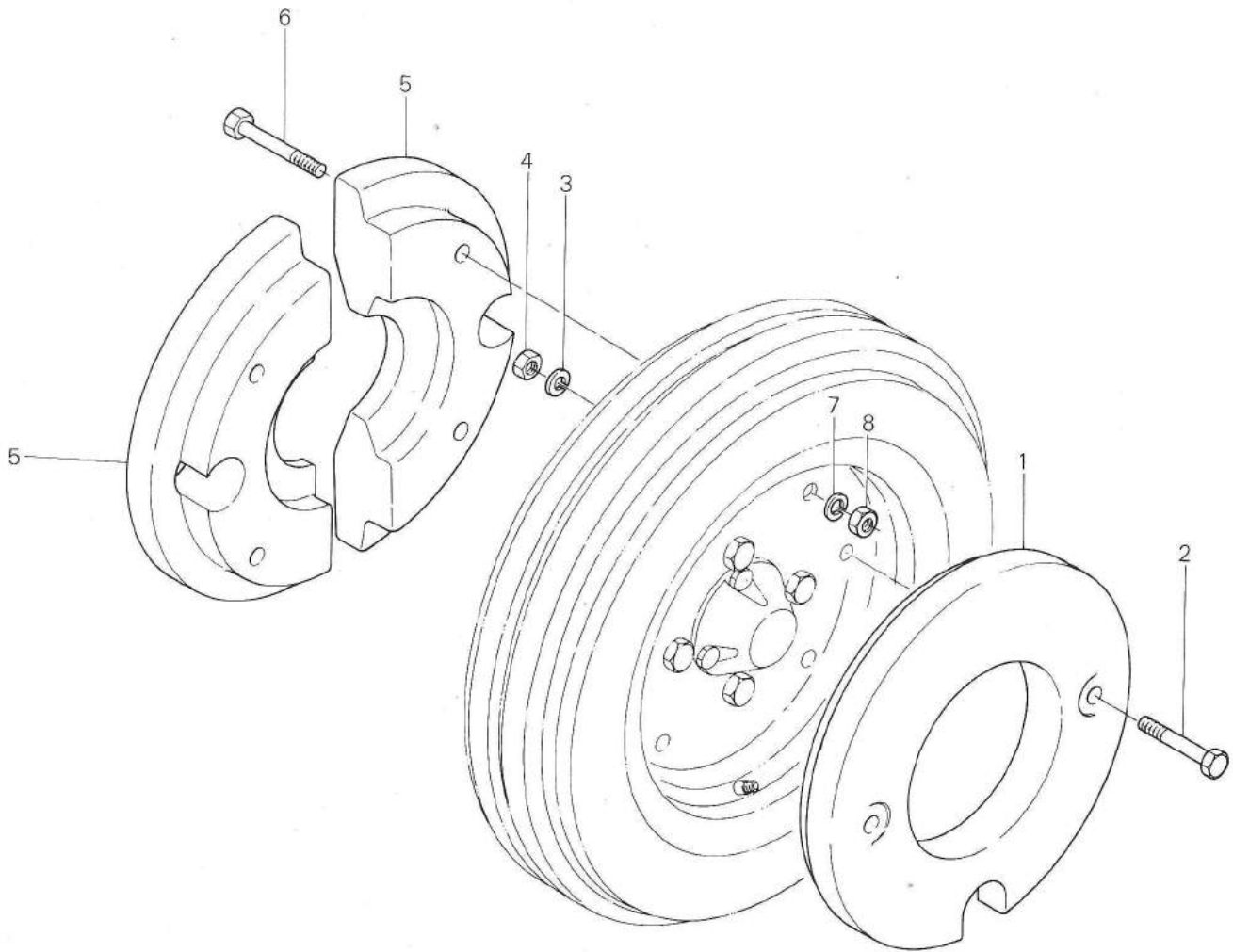


## CHASSIS WEIGHT SET

Ref. No.	Part No.	Description	Q'ty	Size	Remarks
	CA2400A	chassis weight set	1		
1	CA24000	chassis weight bracket	1		
2	2031228	screw	4	M12 x 28	
3	3600122	spring washer	4	M12	
4	CD54540	chassis weight	2		
5	1031280	bolt	4	M12 x 80	
6	3600122	spring washer	4	M12	



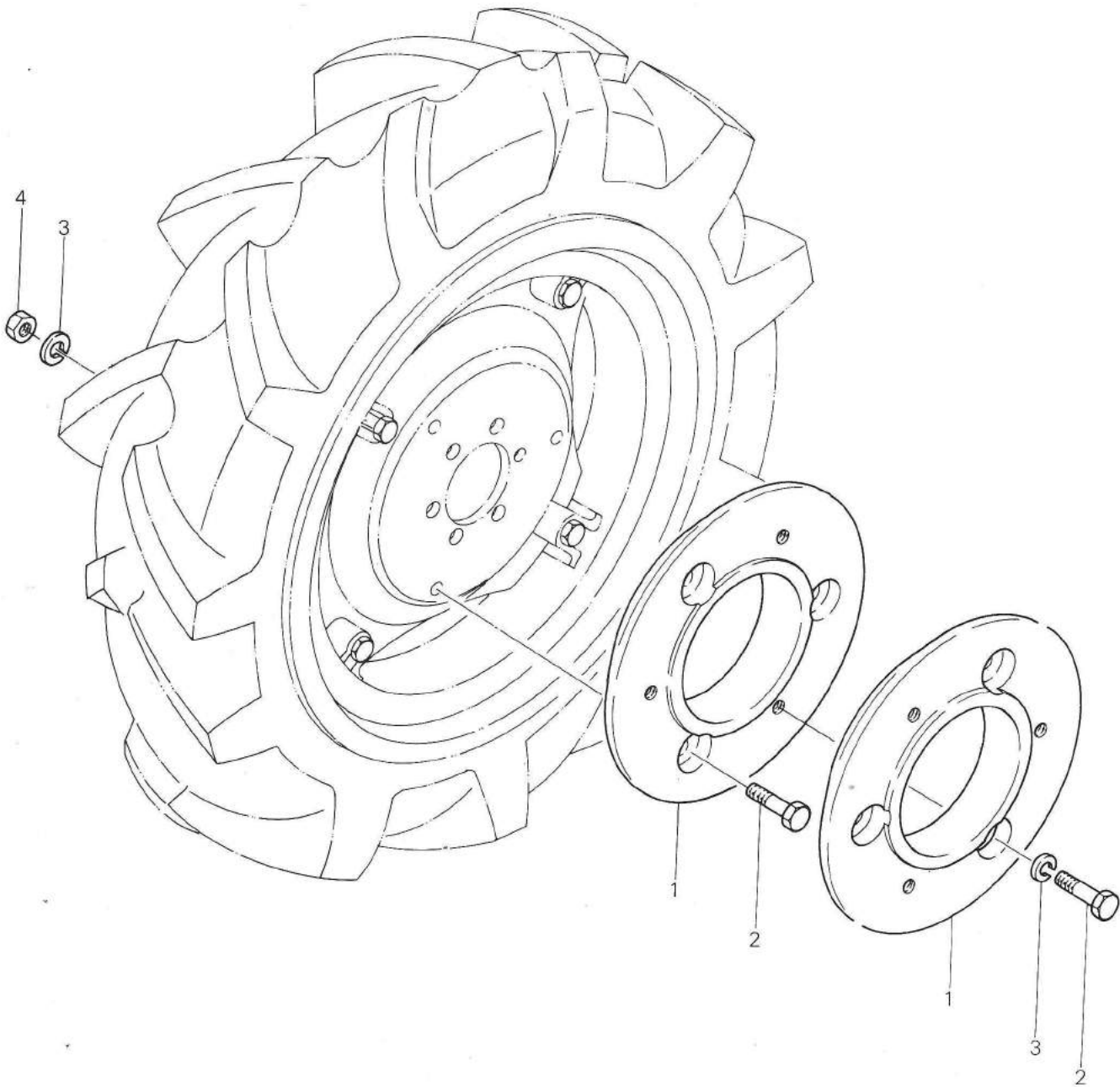
## FRONT WHEEL WEIGHT



## FRONT WHEEL WEIGHT

Ref. No.	Part No.	Description	Q'ty	Size	Remarks
	CD5510A	front wheel weight outside set	1 set		
1	CD55107	front wheel weight outside	2		
2	1031280	bolt	4	P1.5 M12 x 80	
3	3600122	spring washer	4	M12	
4	3021122	nut	4	P1.5 M12	
	CD5500A	front wheel weight inside set	1 set		
5	CD55007	front wheel weight inside	4		
6	1031290	bolt	8	P1.5 M12 x 90	
7	3600122	spring washer	8	M12	
8	3021123	nut	8	P1.5 M12	

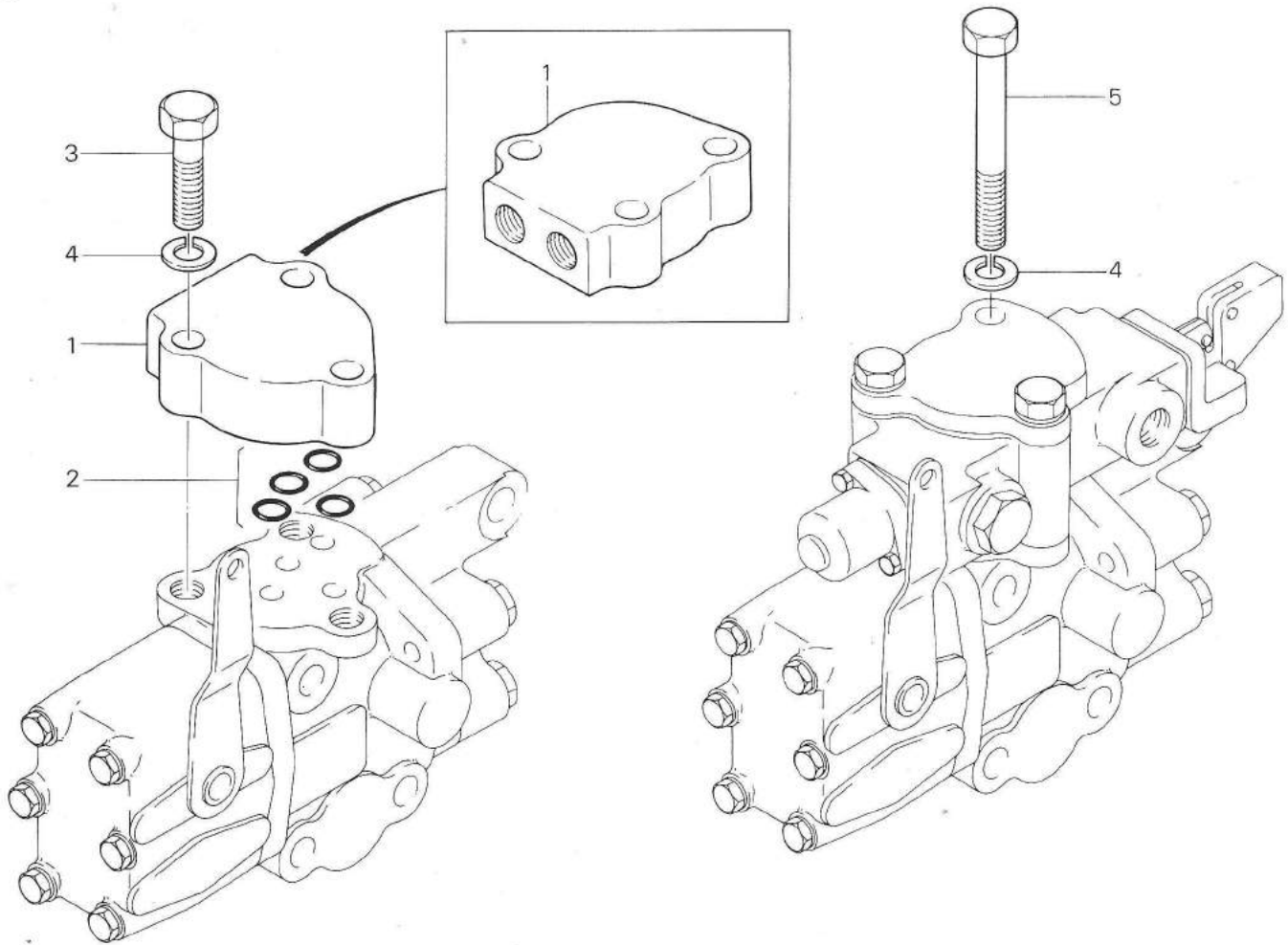
# REAR WHEEL WEIGHT



## REAR WHEEL WEIGHT

Ref. No.	Part No.	Description	Q'ty	Size	Remarks
	CD5550A	rear wheel weight set	1 set		
1	CD55500	rear wheel weight	4		
2	1021671	bolt	12	M16 x 70	
3	3600162	spring washer	12	M16	
4	3021161	nut	6	M16	

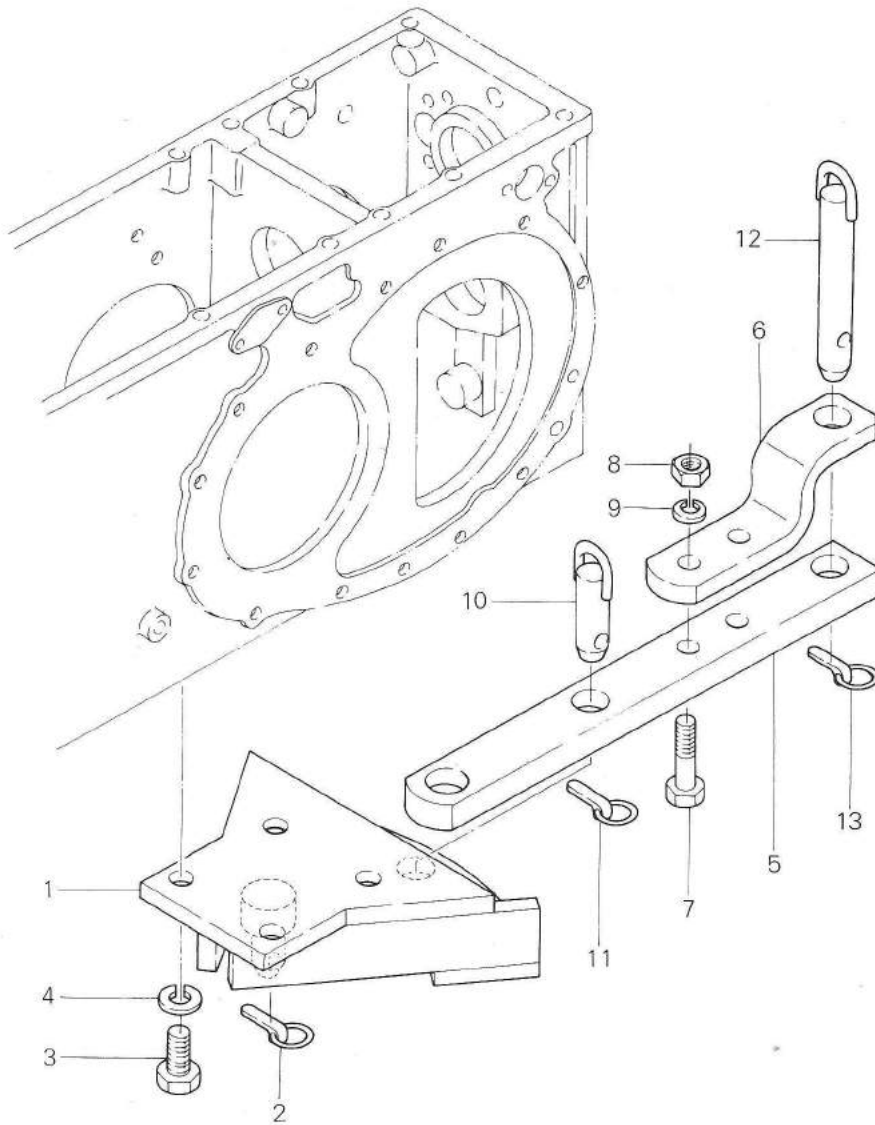
## HYDRAULIC ADAPTOR PLATE



### HYDRAULIC ADAPTOR PLATE

Ref. No.	Part No.	Description	Q'ty	Size	Remarks
	CA4700A	hydraulic adaptor plate ass'y	1		Refer to T.S.B. 6 Hydraulic LIFT-LINKAGE
1	CA41010	hydraulic adaptor plate	1		
2	8310120	"O" ring	4	M12	} CA4700A
3	1000840	bolt	3	M8 x 40	
4	3600082	spring washer	3		
5	1000885	bolt	3		

## SWING DRAWBAR

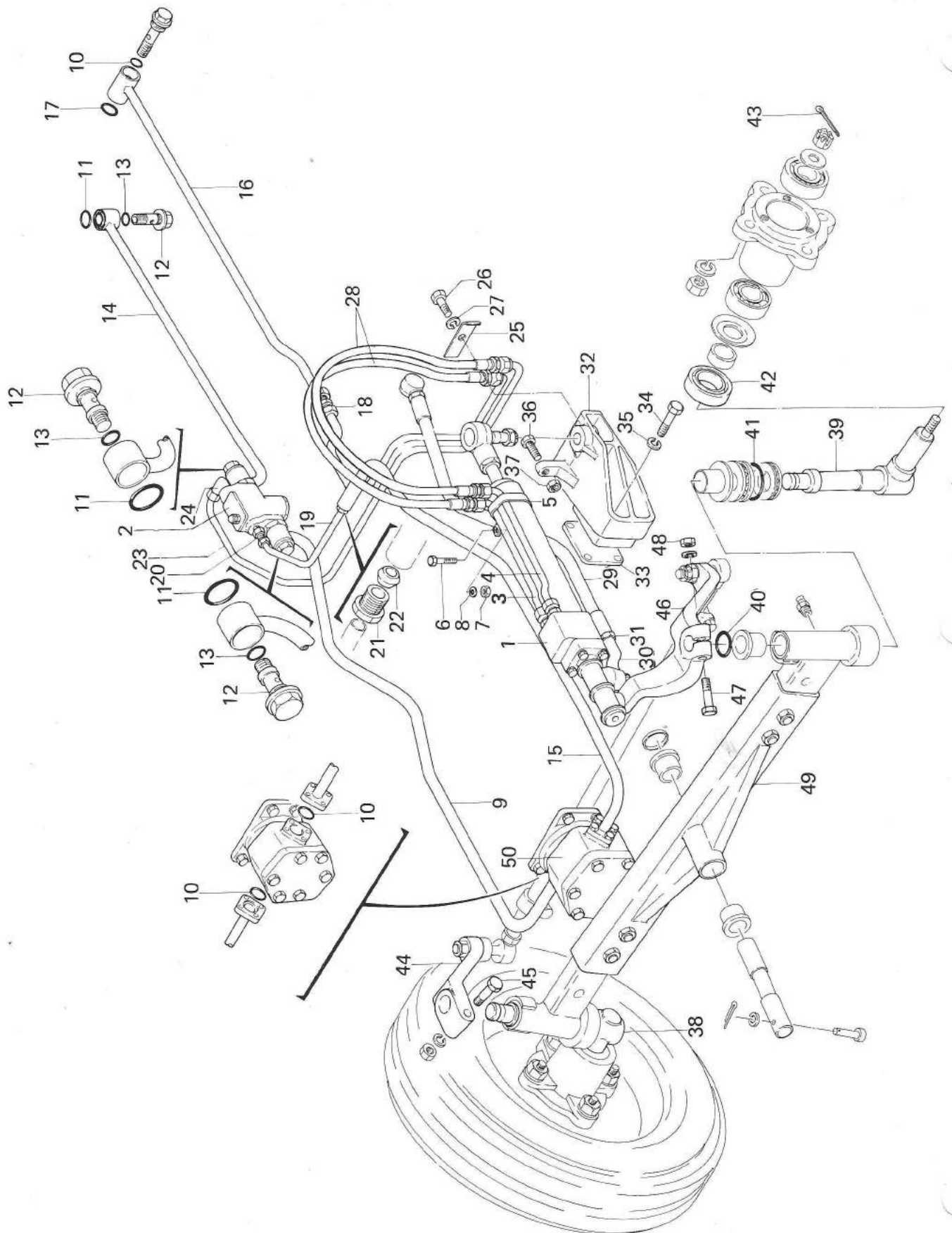


## SWING DRAWBAR

Ref. No.	Part No.	Description	Q'ty	Size	Remarks
	CA4150A	swing drawbar ass'y	1		
1	CA41500	swing drawbar bracket	1		CA4150A
2	AE35420	linch pin	1		
3	1021435	bolt	4	M14 x 35	
4	3600142	spring washer	4	M14	
5	CA41550	drawbar	1		
6	CA41580	clevis bracket	1		
7	1021660	bolt	2	M16 x 60	
8	3020163	nut	2	M16	
9	3600162	spring washer	2	M16	
10	CA41560	drawbar set pin	1		
11	AE35420	linch pin	1		
12	CA26570	hitch pin	1		
13	AE35420	linch pin	1		



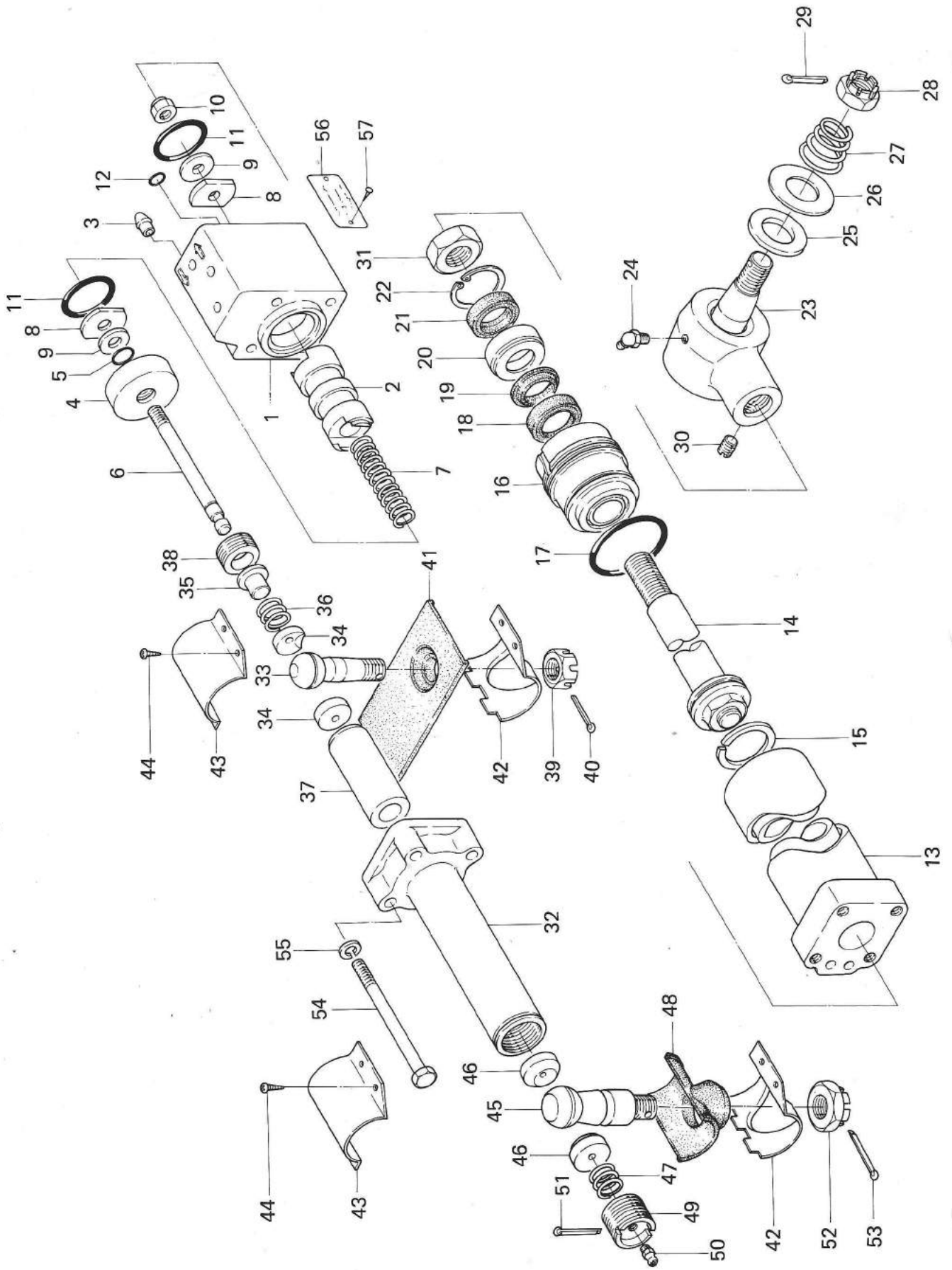
# POWER ASSISTED STEERING PIPING



POWER ASSISTED STEERING PIPING

Ref. No.	Part No.	Description	Q'ty	Size	Remarks	
	CA60000	power assisted steering set	1			
1	CA60010	booster ass'y	1			
2	CA61000	flow divider valve set	1			
	CA60900	booster pipe ass'y	1			
3	CA60910	pump port pipe	1			
4	CA60950	tank port pipe	1			
5	CA60970	clamp	1		} CA60900	
6	1000625	bolt	1			
7	3000061	nut	1			
8	3600062	spring washer	1			
	CA61300	piping set	1st			
9	CA61310	delivery pipe (A)	1		} CA61300	
10	8350220	"O" ring	3	M22 $\phi$		Only one in CA61300 piping set
11	8310240	"O" ring	3	M24 $\phi$		
12	CC24340	banjo bolt	3			} Only two in CA61300 piping set
13	8310180	"O" ring	3	M18 $\phi$		
14	CA61330	delivery pipe (B)	1			
15	CA61350	suction pipe (A)	1			
16	CA61420	suction pipe (C)	1			
17	8350300	"O" ring	1	M30 $\phi$		
18	CA61450	union	1			
19	CA61460	V.F.D. drain pipe	1			
20	CA61470	connector	1	NTNA-10 PT3/8		
21	CA61480	joint	1	NTN NC-10		
22	CA61490	sleeve	1	NTN T-10		
23	CA61517	P.S.B. pressure pipe	1			
24	CA61530	elbow	1	NTNB-10 PT3/8		
25	CA61540	pipe clamp	1			
26	1000825	bolt	1	M8 x 25		
27	3600082	spring washer	1	M-8		
28	CA61550	flexible hose	2	BSIE		
29	CA61610	drag link	1			
30	CA61630	valve shifter	1			
31	CD2088R	lock nut (R.H) screw	1			
32	CA61710	anchor bracket	1			
33	CA61740	spacer	1			
34	CA61720	bolt	4	M12 x 70		
35	3600123	spring washer	4	M12		
36	CA61730	bolt	1	M10 x 40		
37	3030101	nut	1	M10		
	CA61800	king pin set	1st			
38	CA6181R	king pin (R.H)	1		} CA61800	
39	CA6183L	king pin (L.H)	1			
40	8310300	"O" ring	2	M-30	CD2067R } standard tractor CD2067L } Parts No. 8310300 }	
41	8310490	"O" ring	2	M-49	8310490 } same as standard T040628 } tractor Parts No.	
42	T040628	oil seal	2	TC40628		
43	5230020	cotter pin	2	M3 $\phi$ x 20	5230020 }	
44	CA6185R	steering lever (R.H)	1		} CD20720 } standard tractor } Parts No.	
45	CA61720	bolt	1	M12 x 70		
46	CA6186L	steering lever (L.H)	1			
47	CA61870	bolt	1	M12 x 80	} 3020121	
48	CA61880	nut	2	M12		
49	CA20510	center beam	1			
50	CA62010	pump	1	GP1-25		

# BOOSTER

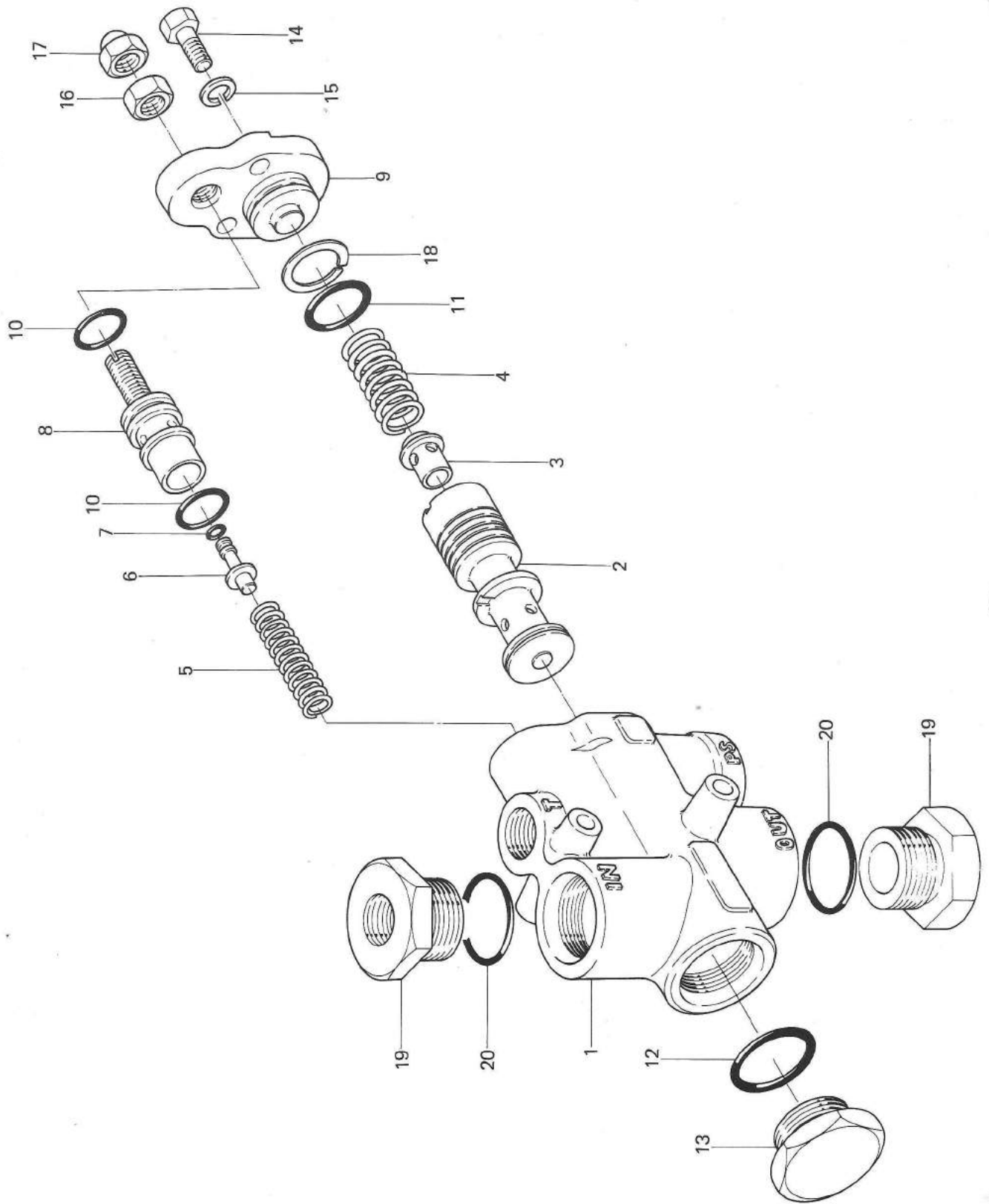




## BOOSTER

Ref. No.	Part No.	Description	Q'ty	Size	Remarks
	CA60010	booster ass'y	1		
	CA60020	valve	1		
1	CA60030	valve housing	1		not saleable } Saleable as an ass'y
2	CA60040	spool valve	1		
3	CA60050	ferrule	2		
4	CA60070	cap	1		
5	CA60080	"O" ring	1		
6	CA60090	spool bolt	1		
7	CA60100	spring	1		
8	CA60110	spring seat	2		
9	CA60120	washer	2		
10	CA60130	self lock nut	1		
11	CA60170	"O" ring	2		
12	CA60180	"O" ring	2		
13	CA60210	cylinder ass'y	1		
14	CA60250	piston & rod ass'y	2		
15	CA60290	piston ring	1		
16	CA60310	box	1		
17	CA60340	"O" ring	1		
18	CA60350	U ring	1		
19	CA60360	heal ring	1		
20	CA60370	bush	1		
21	CA60380	oil seal	1		
22	CA60390	snap ring	1		
23	CA60410	end ass'y	1		
24	CA60470	grease nipple	1		
25	CA60480	dust seal	1		
26	CA60490	retainer	1		
27	CA60510	spring	1		
28	CA60520	castle nut	1		
29	CA60530	cotter pin	1		
30	CA60540	set screw	1		
31	CA60550	nut	1		
32	CA60610	shifter housing	1		
33	CA60620	stud	1		
34	CA60630	seat	2		
35	CA60640	spring seat	1		
36	CA60650	spring	1		
37	CA60660	sleeve	1		
38	CA60670	hunger	1		
39	CA60680	castle nut	1		
40	CA60690	cotter pin	1		
41	CA60710	dust seal	1		
42	CA60720	retainer	2		
43	CA60730	retainer	2		
44	CA60740	screw	4		
45	CA60750	stud	1		
46	CA60760	seat	2		
47	CA60770	spring	1		
48	CA60780	dust seal	1		
49	CA60790	screw	1		
50	CA60800	grease nipple	1		
51	CA60810	cotter pin	1		
52	CA60820	castle nut	1		
53	CA60830	cotter pin	1		
54	CA60840	bolt	4		
55	CA60850	spring washer	4		
56	CA60860	name plate	1		
57	CA60870	screw	2		

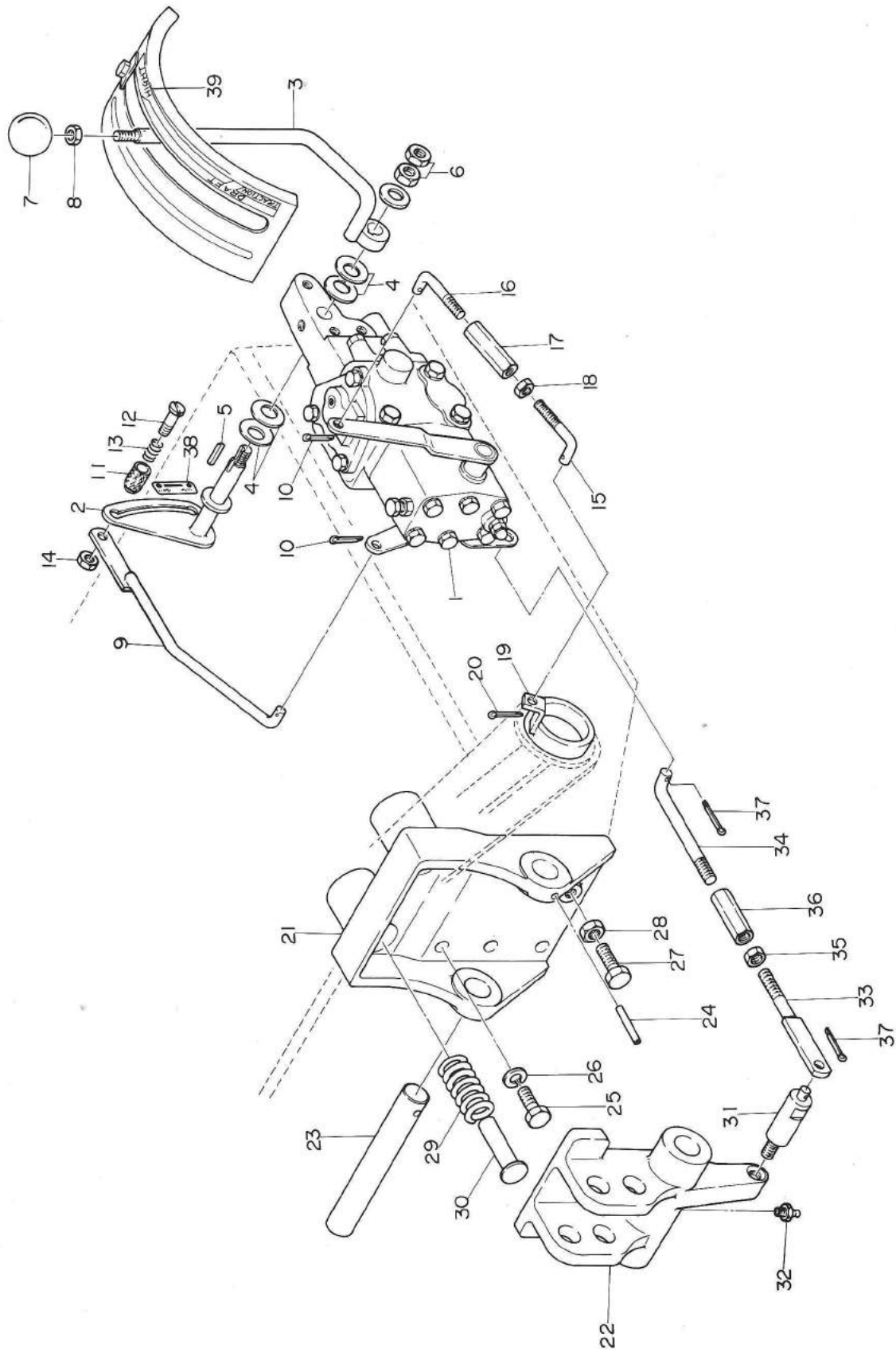
# FLOW DIVIDER VALVE



## FLOW DIVIDER VALVE

Ref. No.	Part No.	Description	Q'ty	Size	Remarks	
	CA61000	flow divider valve set	1st			
	CA61010	flow divider valve	1			
	CA61020	body ass'y	1			
1	CA61030	body	1		} Saleable as an ass'y	
2	CA61040	spool valve	1			
3	CA61050	orifice	1			
4	CA61060	spring	1			
5	CA61070	spring	1			
6	CA61080	valve	1			
7	CA61090	"O" ring	1			
8	CA61110	housing	1			
9	CA61120	plate ass'y	1			
10	CA61130	"O" ring	2			
11	CA61140	"O" ring	1			
12	CA61150	"O" ring	1			
13	CA61160	plug	1			
14	CA61170	bolt	2			
15	CA61180	spring washer	2			
16	CA61190	nut	1			
17	CA61210	cap	1			
18	CA61220	back-up ring	1			Saleable as an ass'y
19	CA61230	adapter	2			
20	8310221	"O" ring	2			

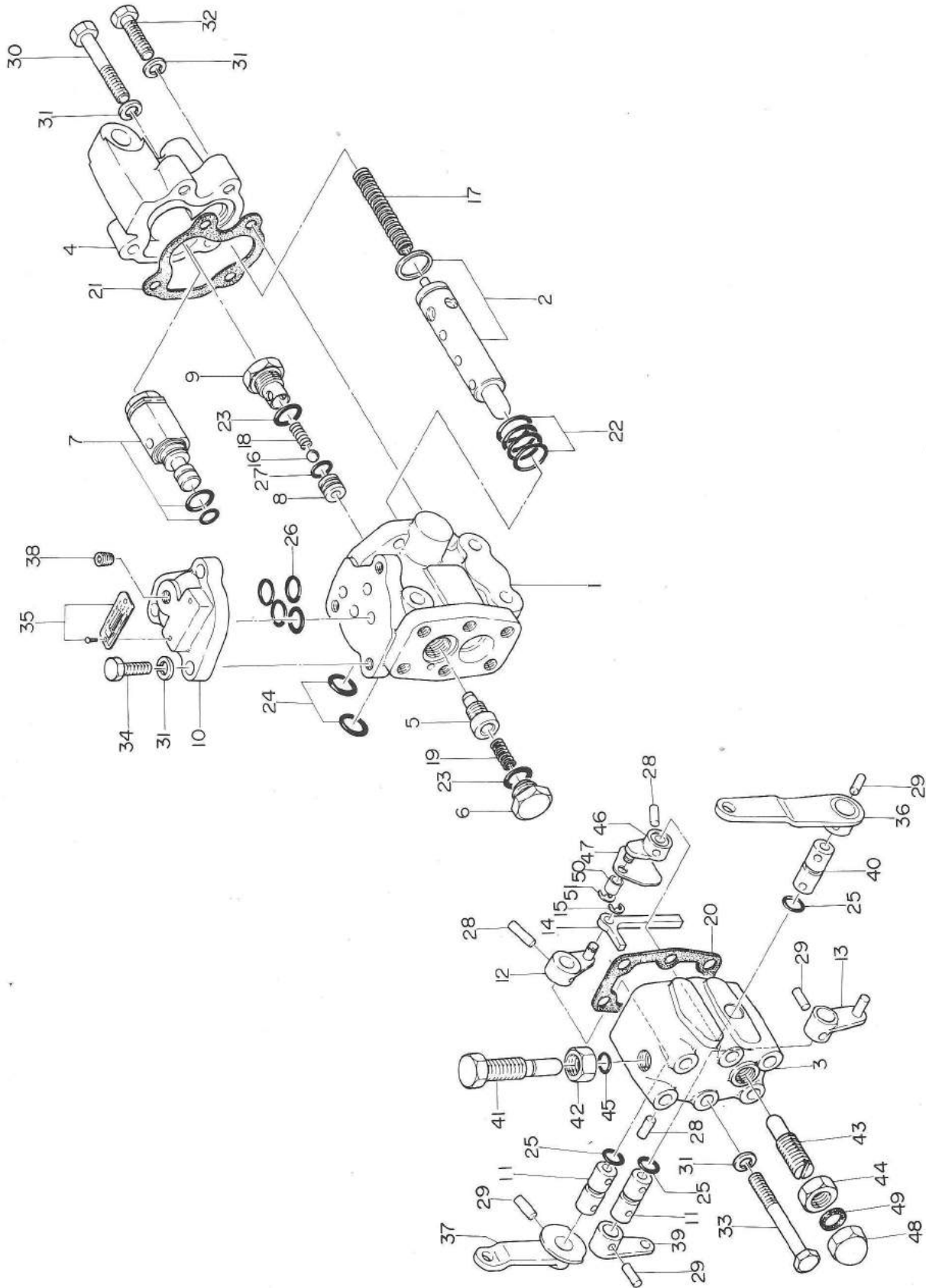
# DRAFT CONTROL



## DRAFT CONTROL

Ref. No.	Part No.	Description	Q'ty	Size	Remarks
	CA48500	draft control unit	1		
1	CA48510	control valve ass'y	1		
2	CA48520	control arm	1		
3	CA48550	control lever	1		
4	CC24077	belleville washer	4		
5	5724100	key	1		
6	3020103	nut	2	M10	
7	6900083	grip	1		
8	3000083	nut	1	M8	
9	CA48570	connecting rod	1		
10	5225015	cotter pin	1	M2.5 $\phi$ x 15	
	CA4860A	stopper knob unit	1		
11	CA48610	stopper knob	1		
12	CA48620	pin	1		
13	CD17070	spring	1		
14	3000063	nut	1	M6	
	CA4865A	feedback rod ass'y	1		
15	CA48650	feedback rod (A)	1		
16	CA48660	feedback rod (B)	1		
17	CA48670	turn buckle	1		
18	3000081	nut	1	M8	
19	CA48680	striker arm	1		
20	5225015	cotter pin	2	M2.5 $\phi$ x 15	
	CA4870A	sensing unit	1		
21	CA48710	sensing unit (A)	1		
22	CA48720	sensing unit (B)	1		
23	CA48730	center pin	1		
24	5506028	spring pin	1	M6 $\phi$ x 30	
25	1121030	bolt	6	M10 x 30	
26	3600102	spring washer	6	M10	
27	1121025	bolt	1	M10 x 25	
28	3020101	nut	1	M10	
29	CA48740	spring	2		
30	CA48750	seat	2		
31	CA48760	connecting shaft	1		
32	6500006	grease nipple	1	M6	
	CA4877A	draft control feedback link ass'y	1		
33	CA48770	draft control feedback rod (A)	1		
34	CA48810	draft control feedback rod (B)	1		
35	3000081	nut	1	M8	
36	CA48670	turn buckle	1		
37	5225015	cotter pin	2	M2.5 x 15	
38	CA48910	change mark	1		
39	CA48930	guide mark	1		

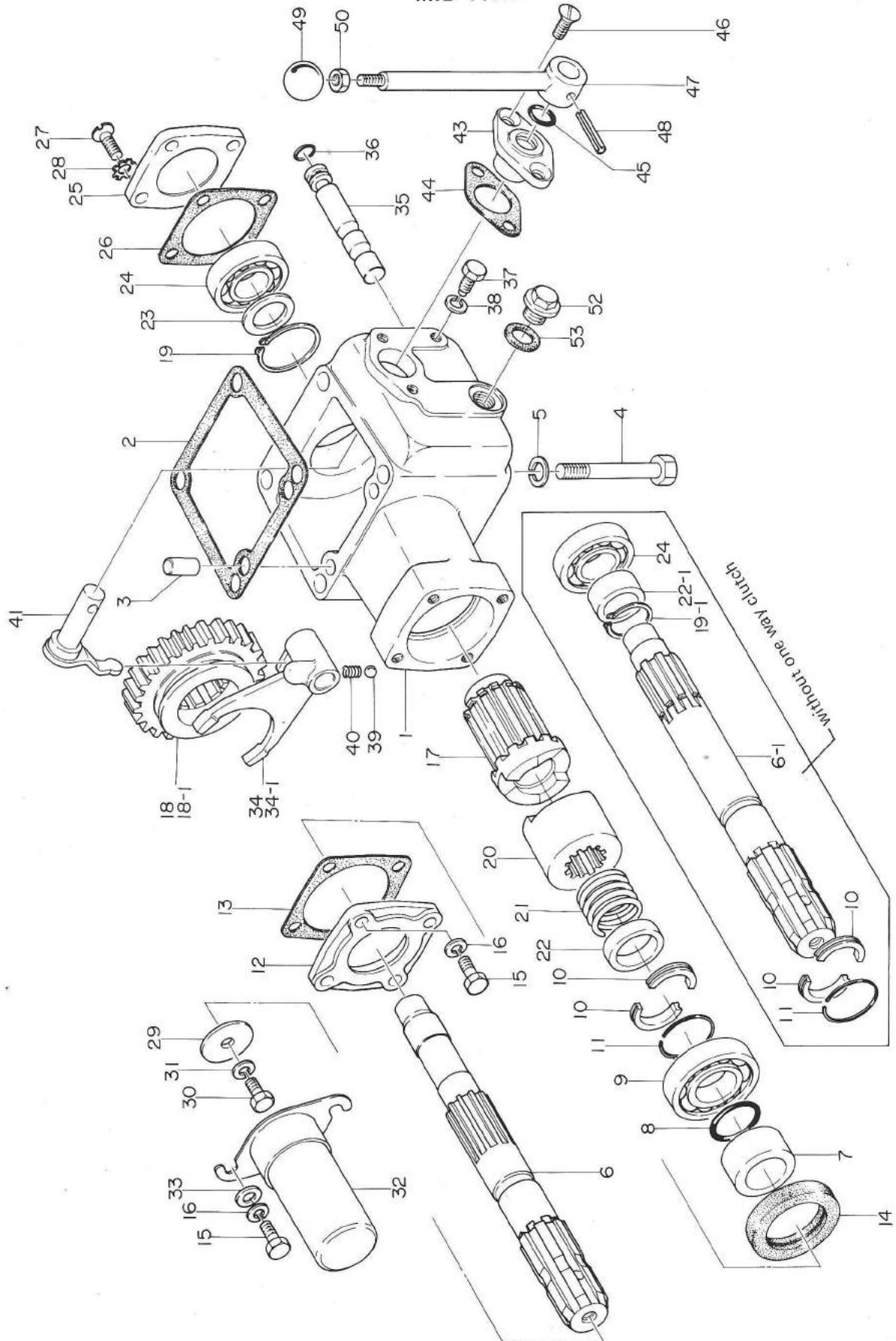
# DRAFT CONTROL VALVE UNIT



## DRAFT CONTROL VALVE UNIT

Ref. No.	Part No.	Description	Q'ty	Size	Remarks
	CA48510	control valve ass'y	1		
1	VB00113	body	1		
2	VD00104	lap ass'y	1		
3	VB02210	cap	1		
4	VB02209	cap	1		
5	VB00807	unload valve	1		
6	VB00503	plug	1		
7	VD00201	relief valve ass'y	1		
8	VB01402	seat	1		
9	VB00504	plug	1		
10	VB02703	cover	1		
11	VB02601	shaft	2		
12	VB02403	arm	1		
13	VB02404	arm	1		
14	VB02502	link	1		
15	VK05062	circlip	1		
16	VM09520	steel ball	1	3/8	
17	VB01104	return spring	1		
18	VB01204	spring	1		
19	VB01205	spring	1		
20	VB02302	gasket	1		
21	VB02301	gasket	1		CA48510
22	VL02200	"O" ring	4	P-22	
23	VL01500	"O" ring	2	P-15	
24	VL01600	"O" ring	2	P-16	
25	VL00900	"O" ring	3	P-9	
26	VL01200	"O" ring	4	P-12	
27	VL01090	"O" ring	1	P-10A	
28	VI50101	spring pin	1	5φ x 10	
29	VI50181	spring pin	6	5φ x 18	
30	VH08362	bolt	3	M8 x 36	
31	VJ08202	spring washer	13	M8	
32	VH08632	bolt	1	M8 x 63 P-1.25	
33	VH08802	bolt	6	M8 x 80 P-1.25	
34	VH08252	bolt	3	M8 x 25 P-1.25	
35	VA00051	name plate and screw	1		
36	VC00215	link (position)	1		
37	VC00216	link (control)	1		
38	VN01111	taper screw plug	1		
39	VC00217	link (draft)	1		
40	VB02605	shaft	1		
41	VB02605	bolt	1		
42	VQ10062	nut	1	M10	
43	VB03007	adjust screw	1		
44	VR06362	nut	1	M6	
45	VL00400	"O" ring	1		
46	VB02405	arm	1		
47	VB02503	link	1		
48	VA00361	nut	1		
49	VB04701	gasket	1		
50	VB03303	spacer	1		
51	VB02102	stopper	1		

# MID P.T.O



Without one way clutch



MID P.T.O. (With and without one way clutch)

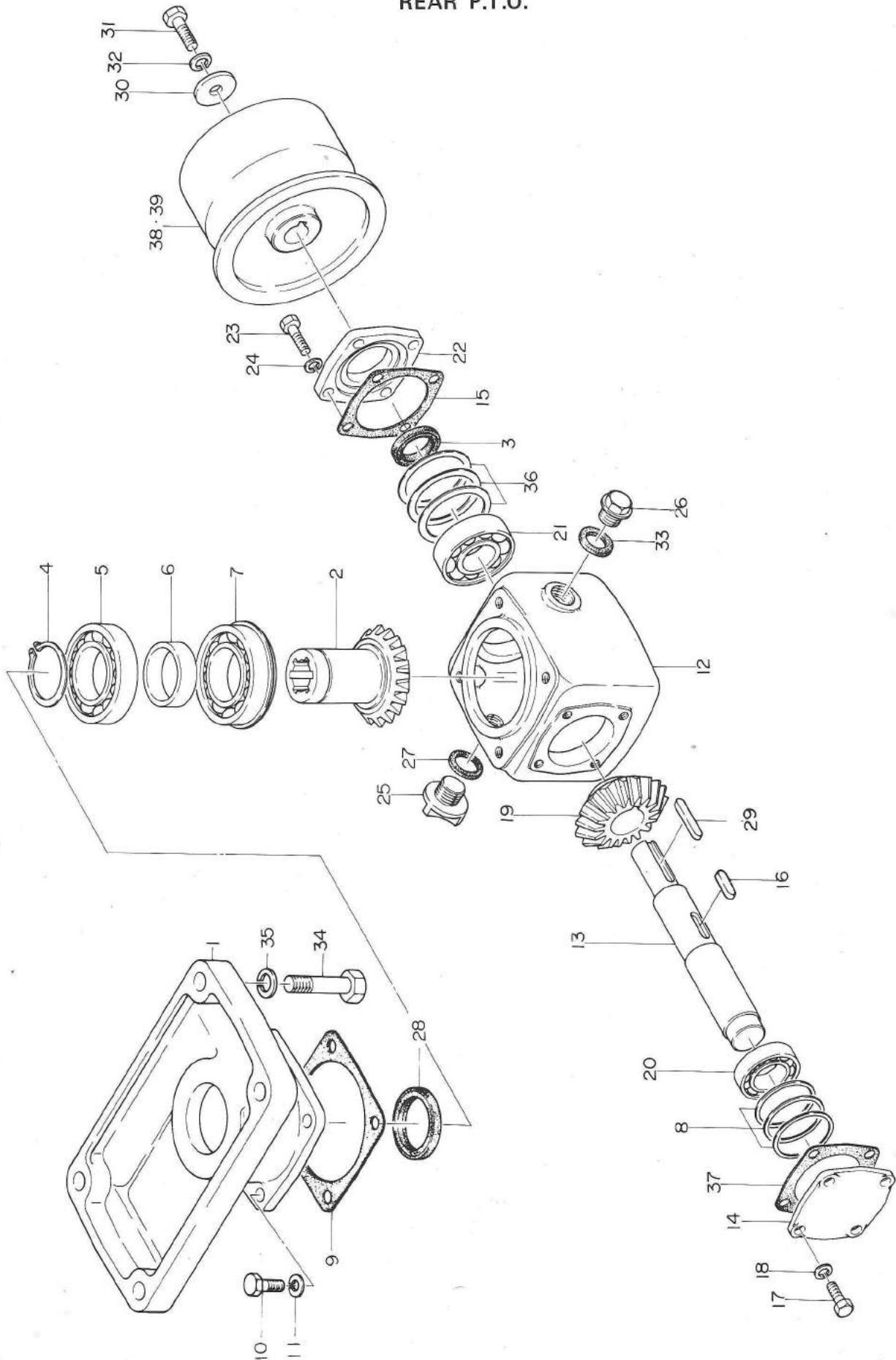
Ref. No.	Part No.	Description	Q'ty	Size	Remarks
	CA40000	mid mounted P.T.O. unit (with one way clutch only)	1		
	CA45000	mid mounted P.T.O. unit (without one way clutch only)	1		
1	CB58010	case	1		
2	CB10130	gasket (lower cover gasket)	1		
3	5401014	dowel	2		
4	1021010	bolt	4		
5	3600102	spring washer	4		
6	CA40010	mid P.T.O. shaft (with one way clutch)	1		
6-1	CA45010	mid P.T.O. shaft (without one way clutch)	1		
7	CA40020	collar	1		
8	8310300	"O" ring	1		
9	BO62060	ball bearing	1		
10	CE16550	split ring	1		
11	CE16560	snap ring	1		
12	CB58040	oil seal housing	1		
13	CB58060	gasket	1		
14	TO42559	oil seal	1		
15	2000825	screw	4		
16	3600082	spring washer	4		
17	CA40030	clutch A (with one way clutch)	1		
18	CA40040	gear (with one way clutch)	1		
18-1	CB58070	gear (without one way clutch)	1	CA40000	
19	7400042	circlip (with one way clutch)	1	CA45000	
19-1	7430040	circlip (without one way clutch)	1		
20	CA40050	clutch B (with one way clutch)	1		
21	EQ40719	clutch spring (with one way clutch)	1		
22	CA40070	collar (with one way clutch)	1		
22-1	CD57170	collar (without one way clutch)	1		
23	CE16590	thrust washer	1		
24	BO63040	ball bearing	1		
25	CD57187	end cover	1		
26	CD57150	gasket	1		
27	2328020	plus screw	4		
28	3730800	lock washer	4		
29	EB14070	washer	1		
30	2000820	screw	1		
31	3600082	spring washer	1		
32	CB58080	P.T.O. cap	1		
33	3500815	washer	2		
34	CA40060	selector fork (with one way clutch)	1		
34-1	CD57207	selector fork (without one way clutch)	1		
35	CB58110	selector rod	1		
36	8310101	"O" ring	1		
37	CB58120	set screw	1		
38	3600082	spring washer	1		
39	8000008	steel ball	1		
40	EB15557	stopper spring	1		
41	CD57227	selector lever	1		
43	CD17280	selector boss	1		
44	CD17290	gasket	1		

MID P.T.O (With and without one way clutch)

Ref. No.	Part No.	Description	Q'ty	Size	Remarks
45	8310160	"O" ring	1		
46	2218016	minus screw	2		
47	CA40080	operating lever	1		
48	5506028	spring pin	1		
49	6900083	knob	1		
50	3001083	nut	1		
51	7306204	liner	3	AR	
52	GA10047	magnet plug	1		
53	GA10070	rubber gasket	1		



# REAR P.T.O.

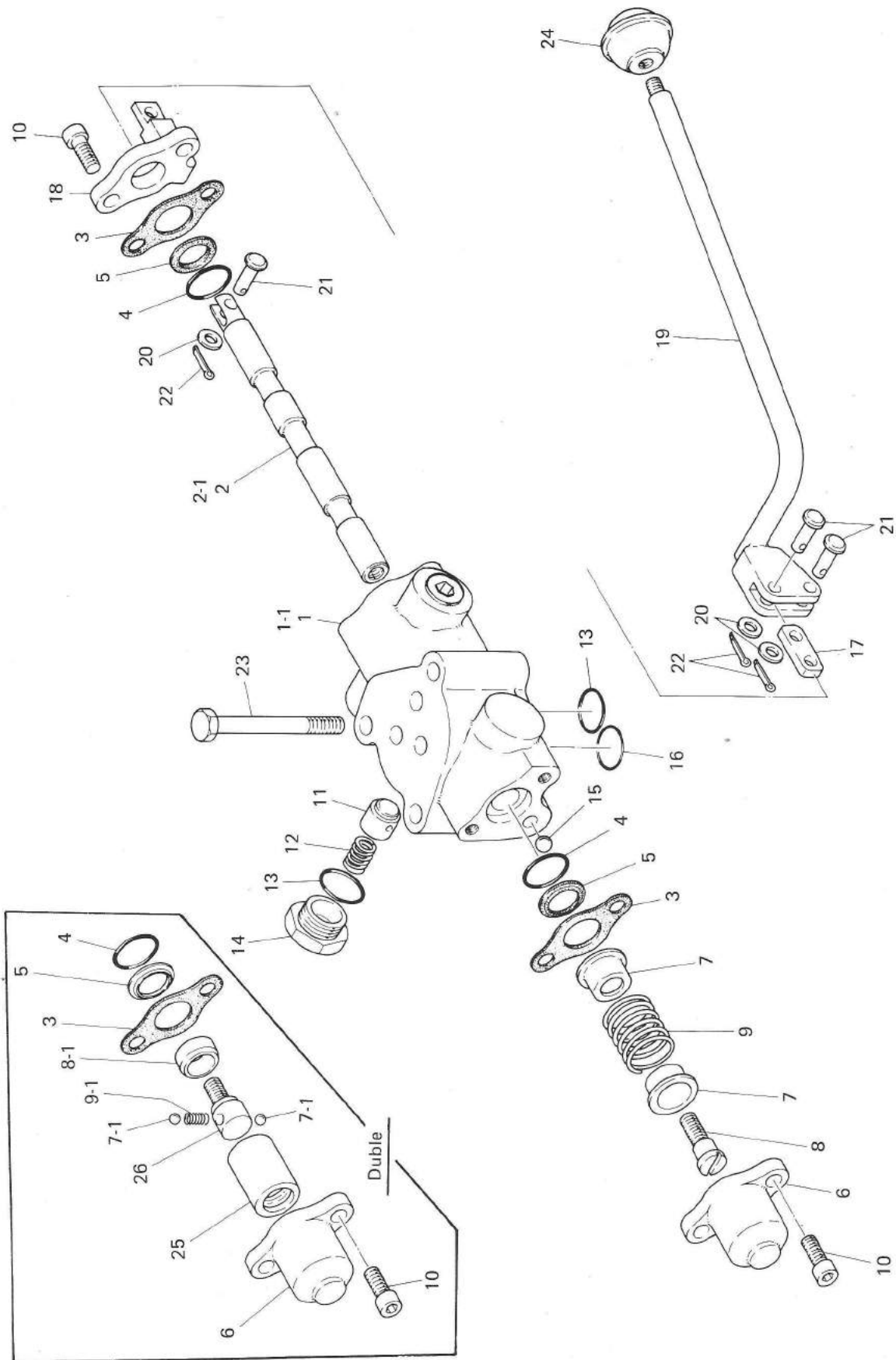


REAR P.T.O.

Ref. No.	Part No.	Description	Q'ty	Size	Remarks
	CD56500	rear P.T.O. ass'y	1		
1	CD56510	bracket	1		
	CD56521	bevel gear ass'y	1		consist with CD56520, CD56600 not saleable
2	CD56520	bevel gear	1		
3	H304409	oil seal	1		
4	7400050	circlip	1		
5	B062100	ball bearing	1		
6	CD56530	collar	1		
7	B062105	ball bearing	1		
8	CD56540	liner	AR	t = 0.2mm	
	CD56541	liner	AR	t = 0.4mm	
	CD56542	liner	AR	t = 0.6mm	
9	CD56550	gasket	1		
10	1131032	bolt	4		
11	3600102	spring washer	4		
12	CD56560	case	1		
13	CD56570	shaft	1		
14	CD56580	end cover	1		
15	CD56590	gasket	1		
16	5727032	key	1		
17	1008020	bolt	4		
18	3600082	spring washer	4		
19	CD56600	bevel gear	1		not saleable
20	B062060	ball bearing	1		
21	B063060	ball bearing	1		
22	CD56610	seal metal	1		
23	1008025	bolt	4		
24	3600082	spring washer	4		
25	GE10100	oil plug	1		
26	DF10181	magnet plug	1		
27	EB10037	gasket	1		
28	T506410	oil seal	1		
29	5717050	key	1		
30	CD56620	washer	1		
31	1131025	bolt	1		
32	3600102	spring washer	1		
33	GA10050	gasket	1		
34	1136050	bolt	4		
35	3601602	spring washer	4		
36	CD56640	liner	1	t = 0.2mm	
	CD56641	liner	1	t = 0.4mm	
	CD56642	liner	1	t = 0.6mm	
37	CD56650	gasket	1		
38	CD56817	belt pulley	1	4"	
39	CD56827	belt pulley	1	8"	

CD56500

# SUB CONTROL VALVE



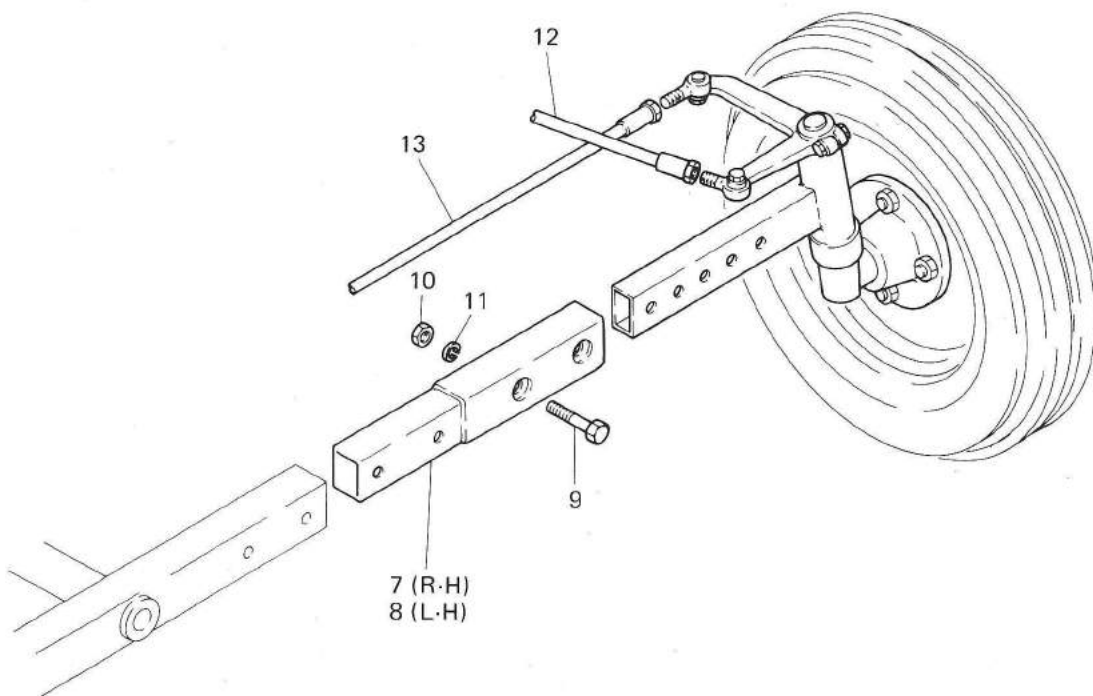
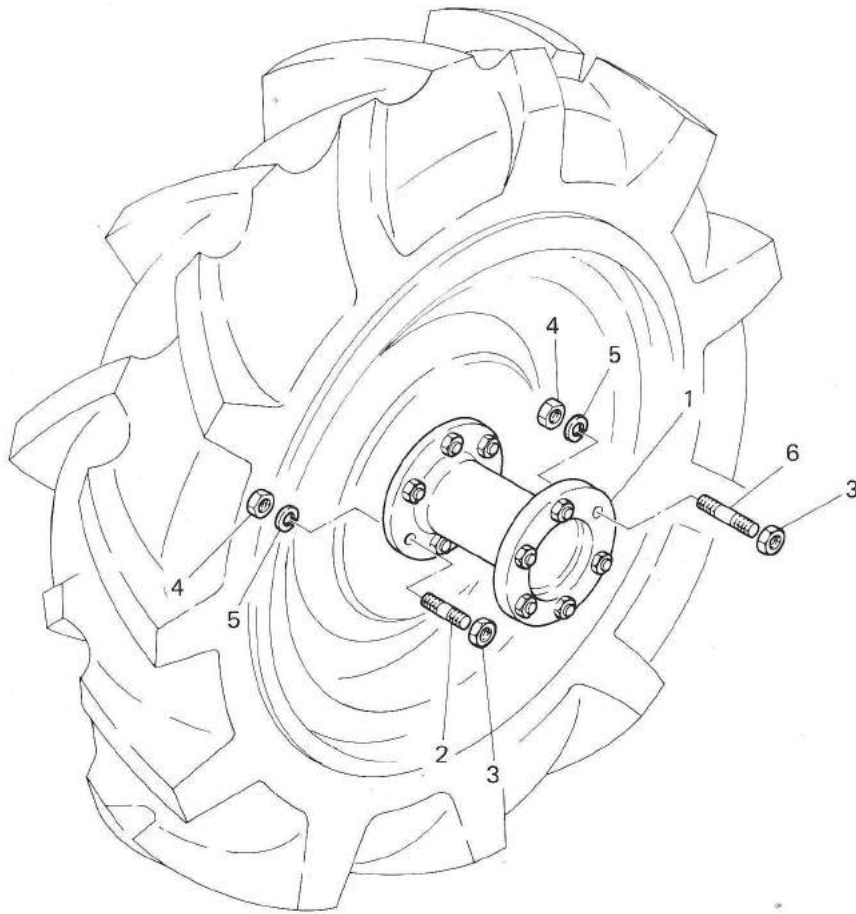
## SUB CONTROL VALVE

Ref. No.	Part No.	Description	Q'ty	Size	Remarks
	CC65000	sub control (Single) ass'y	1		
	CA47200	sub control (Double) ass'y	1		
1	VB20142	body (Single)	1		
1-1	VB20151	body (Double)	1		
2	VB20222	spool (Single)	1		
2-1	VB20223	spool (Double)	1		
3	VT31702	seal plate	2		
4	VU01100	"O" ring	2		
5	VT32801	wiper	2		
6	VT31011	cap	1		
7	VT30702	spring seat	2		
8	VT30507	cap screw	1		(Single)
9	VT30603	spring	1		
7-1	VT33001	steel ball	2		
8-1	VT30802	spacer (detent)	1		(Double)
9-1	VT30605	spring (detent)	1		
10	VV06181	bolt with hex.	4		CA47200
11	VT32404	poppet	1		
12	VT30604	spring	1		
13	VL01600	"O" ring	2		
14	VB24303	plug	1		
15	VM06350	steel ball	2		
16	VL01200	"O" ring	3		
17	VT31507	link	1		
18	VB25003	bracket	1		
19	VC20129	lever	1		
20	VX05082	washer	3		
21	VT33307	clevis pin	3		
22	VY12082	cotter pin	3		
23	VH08712	bolt	3		
24	VA00033	knob	1		
25	VT31802	sleeve (detent)	1		(Double)
26	VT30509	pin (detent)	1		

**Note:**

1. Part designated with "Single" is used in Single Sub-Control Valve only.
2. Part designated with "Double" is used in Double Sub-Control Valve only.
3. Part designated without "Single" or "Double" is used in both Single and Double Sub-Control Valves.

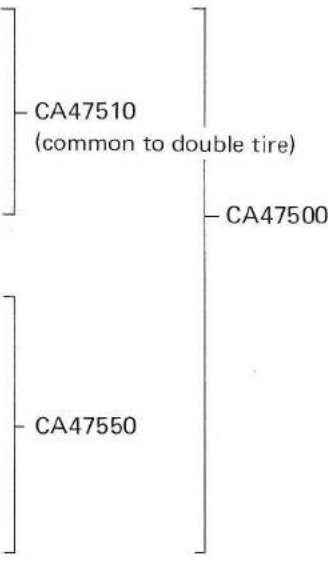
# WIDE TREAD



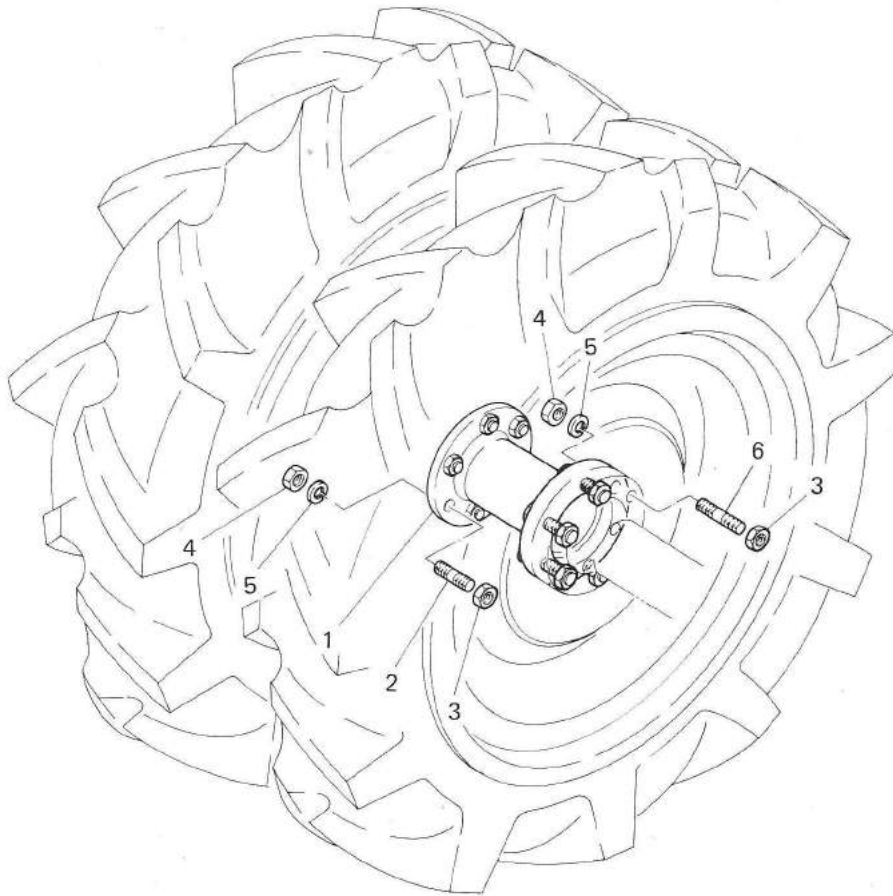


### WIDE TREAD

Ref. No.	Part No.	Description	Q'ty	Size	Remarks
	CA47500	wide tread parts set			
	CA47510	rear wide tread parts set			
1	CA47520	tread extend wheel boss	2		
2	1321632	stud	12		
3	3020163	lock nut	24		
4	3020161	nut	24		
5	3600162	Spring washer	24		
6	1321655	stud	12		
	CA47550	front wide tread parts set			
7	CA4756R	extend front beam R.H.	1		
8	CA4757L	extend front beam L.H.	1		
9	1121665	bolt	4		
10	3020161	nut	4		
11	3600162	spring washer	4		
12	CA47700	drag link	1		
13	CA47750	tie rod	1		



## DOUBLE TIRE

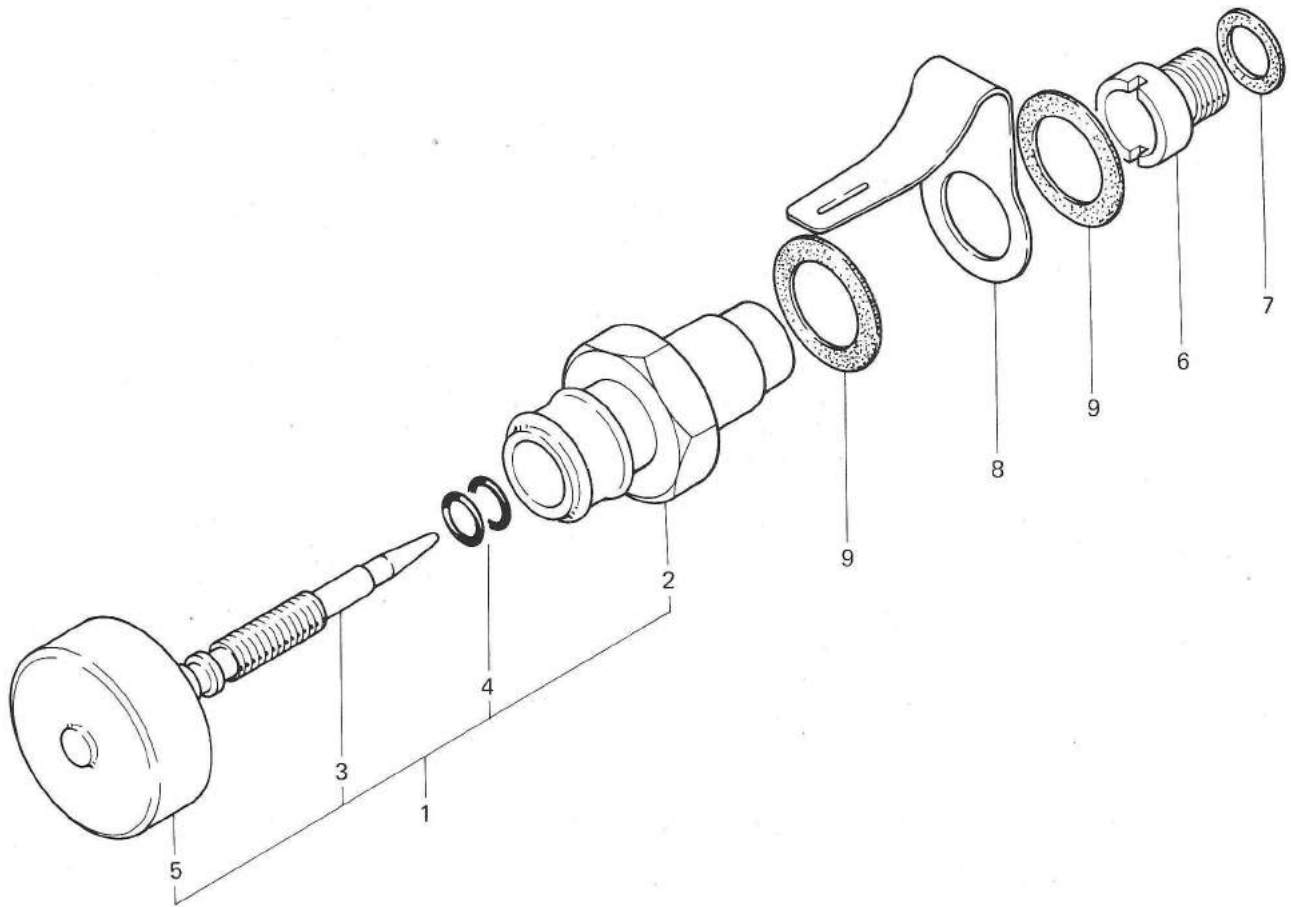


## DOUBLE TIRE

Ref. No.	Part No.	Description	Q'ty	Size	Remarks
	CA47800	double tire parts set			
	CA47510	rear wide tread parts set (double tire kit)			
1	CA47520	tread extend wheel boss	2		
2	1321632	stud	12		
3	3020163	Lock nut	24		CA47510 common to wide tread
4	3020161	nut	24		
5	3600162	spring washer	24		CA47800
6	1321655	stud	12		
7	CA3010A	rear wheel ass'y (ES)	2		
8	CA3001B	rear wheel ass'y (AG)	2		

\* When you order a set of CA47800 double tire parts, please indicate it with your specification of ES or AG tire.

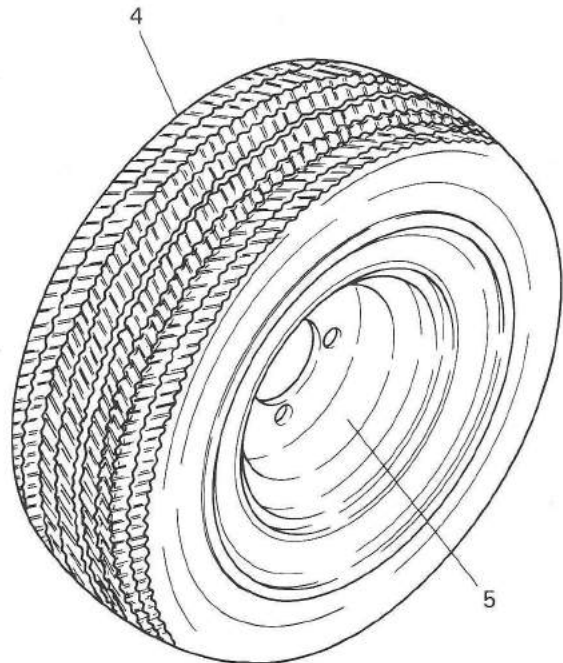
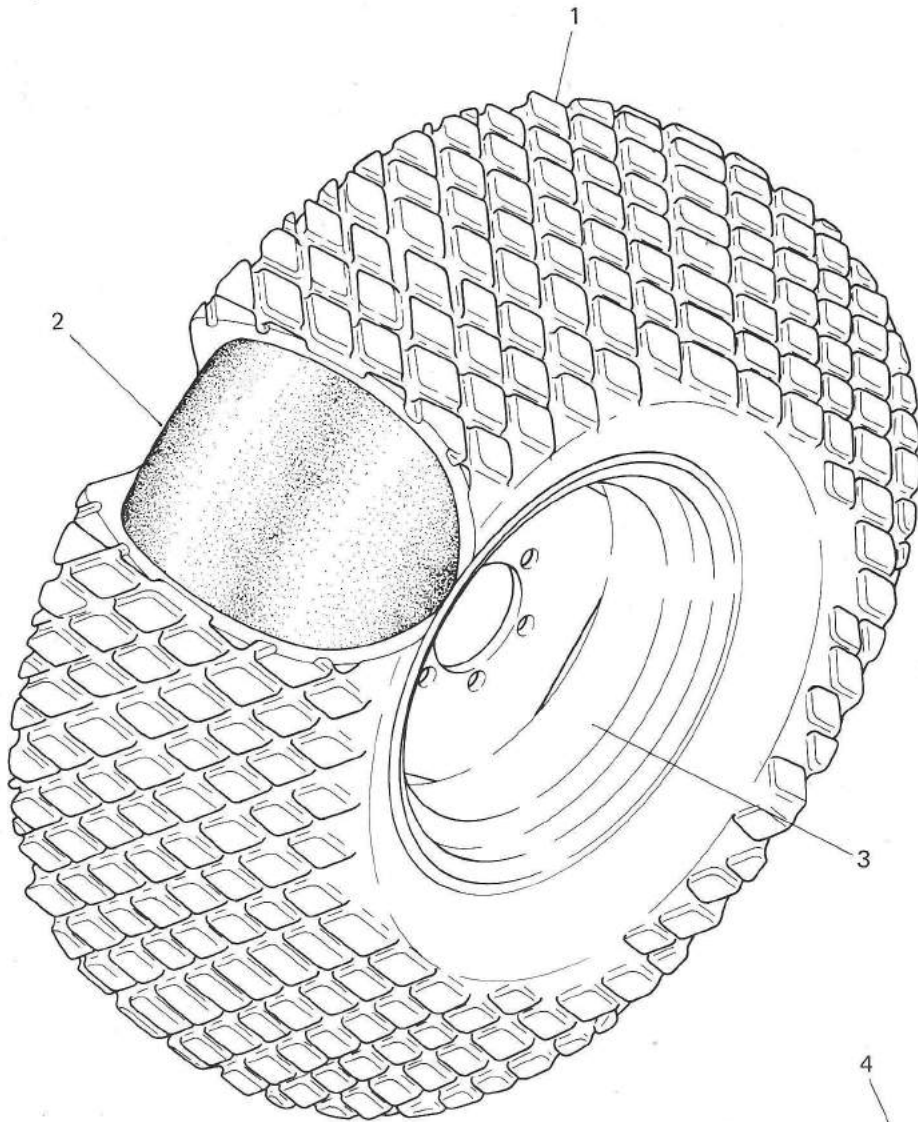
## VALIABLE MAINJET



## VALIABLE MAINJET

Ref. No.	Part No.	Description	Q'ty	Size	Remarks
	0231170	variable mainjet ass'y	1		
1	0231200	needle ass'y adjust	1		
2		guide main adjust needle	1		not saleable
3		main adjustable needle ass'y	1		not saleable
4		"O" ring	2		not saleable
5		cap	1		not saleable
6	0231210	main jet	1		
7	0231130	gasket	1		
8	0231190	retainer plate	1		
9	0231180	gasket	2		

WIDE TURF TIRE



## WIDE TURF TIRE

Ref. No.	Part No.	Description	Q'ty	Size	Remarks
	CA480RF	wide turf tire ass'y	1		
	CA48000	rear turf tire ass'y	1		
	CA48010	rear tire ass'y	1	13.6 - 16	
1	CA48020	rear tire	2		} CA480RF
2	CA48030	tube	2		
3	CA48040	rear rim and center	2		
	CA48100	front wide turf tire ass'y	1	20x8.00-10	
4	CA48120	front tire	2		} CA48100
5	CA48140	front wheel	2		



NUMERICAL INDEX

Part No.	Page No.	Part No.	Page No.	Part No.	Page No.	Part No.	Page No.
VA00051	128, 176	VC00217	176	0231130	188	VC20129	184
VA00361	176	VD00101	128	0231170	188	VH08712	184
VB00103	128	VD00104	176	0231180	188	VL01200	184
VB00113	176	VD00201	176	0231190	188	VL01600	184
VB00201	128	VF00015	122	0231200	188	VM06350	184
VB00503	128, 176	VF20101	122	0231210	188	VT30507	184
VB00504	128, 176	VF20201	122	1121665	186	VT30509	184
VB00803	128	VF20301	122	1321632	186, 187	VT30603	184
VB00807	176	VF20401	122	1321655	186, 187	VT30604	184
VB01102	128	VF30401	122	3020161	186, 187	VT30605	184
						VT30702	184
VB01104	176	VG08252	128	3020163	186, 187	VT30802	184
VB01204	128, 176	VH08252	176	3600162	186, 187	VT31011	184
VB01205	128, 176	VH08362	128, 176	CA3010A	187		
VB01402	128, 176	VH08632	128, 176	CA3001B	187	VT31507	184
VB02101	128	VH08802	128, 176	CA47500	186	VT31702	184
VB02102	176	VI50181	128	CA47510	186, 187	VT31802	184
VB02201	128	VJ08202	128, 176	CA47520	186, 187	VT32404	184
VB02207	128	VK05062	128, 176	CA47550	186	VT32801	184
VB02209	176	VL00400	176	CA4756R	186	VT33001	184
VB02210	176	VL00900	122, 128	CA4757L	186	VT33307	184
						VU01100	184
VB02301	128, 176		176	CA47750	186	VV06181	184
VB02302	128, 176	VL01090	128, 176	CA47700	186	VX05082	184
VB02401	128	VL01200	128, 176,	CA47800	187		
VB02402	128		184	CA480RF	190	VY12082	184
VB02403	176	VL01500	128, 176	CA48000	190		
VB02404	176	VL01600	122, 128	CA48010	190		
VB02405	176		176, 184	CA48020	190		
VB02501	128	VL02200	128, 176	CA48030	190		
VB02502	176	VL06000	122	CA48040	190		
VB02503	176	VM09520	128, 176	CA48100	190		
				CA48120	190		
VB02601	128, 176	VN01111	129, 176				
VB02605	176	VQ10062	176	CA48140	190		
VB02703	128, 176	VR06362	176	CC65000	184		
VB03007	176	YC21570	114	VA00033	184		
VB03303	176			VB20142	184		
VB04701	176			VB20151	184		
VC00201	129			VB20222	184		
VC00202	128			VB20223	184		
VC00215	176			VB24303	184		
VC00216	176			VB25003	184		





## NUMERICAL INDEX

Part No.	Page No.	Part No.	Page No.	Part No.	Page No.	Part No.	Page No.
0090150	24	0100410	4	0110160	14	0120230	16
0100010	2	0100430	4	0110170	14	0120240	18
0100020	2	0100440	4	0110180	14	0120250	18
0100030	4	0100450	8	0110190	14	0120260	18
0100040	10	0100470	10	0110200	14	0120270	18
0100050	4	0100500	5	0110210	14	0120280	18
0100070	2	0100510	5	0110220	14	0120290	18
0100080	2	0100520	10	0110230	14	0120300	18
0100090	2	0100530	10	0110240	14	0120310	18
0100100	2	0100540	10	0110250	14	0120320	18
0100110	2	0100550	10	0110280	14	0120330	18
0100120	5	0100560	10	0110290	14	0120340	18
0100130	5	0100570	10	0110300	14	0120350	18
0100140	8, 16	0100580	5	0110320	14	0120360	2
0100150	8	0100590	5	0110330	14	0130010	22
0100160	8	0100600	5	0110340	14	0130020	22, 28
0100170	8	0100620	16	0110360	12	0130030	22
0100180	8	0100630	4	0110370	12	0130070	22
0100190	8	0100640	4	0110380	12	0130080	21, 22
0100200	10	0100650	4	0120010	16	0130090	22
0100210	5	0100660	2	0120020	16	0130100	56
0100220	10	0100670	2	0120030	16	0130110	56
0100230	2	0100680	2	0120040	16	0130220	56
0100240	2	0100690	2	0120050	16	0130230	21
0100250	10	0100700	2	0120060	16	0130240	56
0100260	10	0100710	2	0120070	16	0130250	56
0100270	2	0100720	2	0120080	16	0130260	21
0100280	2	0100730	4	0120090	16	0130270	20
0100290	5	0110010	14	0120100	16	0130290	21
0100300	5	0110020	12	0120110	16	0130300	21
0100310	5	0110030	14	0120120	16	0130310	21
0100320	5	0110040	12	0120140	16	0130320	20
0100330	4	0110090	12	0120150	16	0130330	20
0100340	4	0110100	12	0120160	16	0130340	20
0100350	8	011010A	12	0120170	16	0130350	21
0100360	4	0110110	12	0120180	16	0130360	21
0100370	8	0110120	14	0120190	16	0130370	30
0100380	8	0110130	14	0120200	16	0130390	56
0100390	4	0110140	14	0120210	16	0130400	20
0100400	4	0110150	14	0120220	16	0130410	20

## NUMERICAL INDEX

Part No.	Page No.	Part No.	Page No.	Part No.	Page No.	Part No.	Page No.
0130420	21, 30	0130900	34	0150210	43	0180350	50
0130430	20	0130920	24	0150220	43	0180360	50
0130460	20	0140010	40	0150230	43	0180370	50
0130470	20	0140020	40	0150240	43	0180380	50
0130480	21	0140030	40	0150250	42	0180390	50
0130490	56	0140040	40	0150260	43	0180400	50
0130510	32	0140050	40	0160010	14	0180410	50
013051A	21, 32	0140060	40	0180010	17	0180420	50
0130520	24, 36	0140070	40	0180020	47, 54	0180430	50
013052A	24	0140080	40	0180030	47	0180440	50
0130530	24	0140090	40	0180040	46	0180450	50
0130540	24	0140100	40	0180050	46	0180460	50
0130550	21	0140110	40	0180060	46, 50	0180470	50
013055A	21	0140120	40	0180070	46	0180480	50
0130560	24	0140130	40	0180080	46	0180490	50
0130570	24	0140200	40	0180090	46	0180500	50
0130580	24	0140210	40	018009A	46	0180510	50
0130660	24	0140220	40	0180100	46	0180520	54
0130670	24	0140230	40	018010A	46	0180540	20
0130690	33	0140240	40	0180110	46	0180550	47
0130700	33, 34	0140250	40	018011A	46	0180560	47
0130710	56	0150010	42	0180120	46	0180570	2
0130730	20	0150020	42	018012A	46	0180580	46
0130740	30	0150030	42	0180130	46	0230010	42
0130750	30	0150040	42	0180140	46	0230020	12
0130760	30	0150050	42, 43	0180150	46, 52	0230040	14
0130770	32	0150060	42	0180160	46	0230050	14
0130780	32	0150070	42	0180170	46	0230060	14
0130790	32	0150080	42, 43	0180180	46	0230070	14
0130800	32	0150090	42, 43	0180190	47	0230080	14
0130810	32	0150100	42	0180200	47	0230090	14
0130820	33	0150110	42, 43	0180210	46	0230100	14
013082A	33	0150120	42	0180220	46	0230110	34
0130830	33	0150130	42, 43	0180240	46	0230120	33
0130840	34	0150140	42, 43	0180270	46	023012A	33
013084A	34	0150150	42, 43	0180280	47	0230130	33, 34
0130850	34	0150160	42	0180290	4	0230140	33
0130860	20, 33	0150170	42, 43	0180310	20, 43	023014A	33
0130870	21	0150180	42	0180320	40	0230150	33, 34
0130890	20	0150190	43	0180340	46, 50	0230160	33

## NUMERICAL INDEX

Part No.	Page No.	Part No.	Page No.	Part No.	Page No.	Part No.	Page No.
023016A	33	0230550	54	0230950	33	0240130	50
0230170	34	0230560	54	023095A	33	0240140	50
023017A	34	0230570	54	0230960	33	0240150	50
0230180	34	0230580	54	023096A	33	0240160	54
0230190	30	0230590	54	0230970	33	0240170	54
0230200	34	0230600	54	0230980	33, 34	0240180	54
0230210	34	0230610	54	0230990	33	0240190	54
0230220	34	0230620	54	023099A	33	0240200	54
0230230	34	0230630	54	0231000	33	0240210	54
0230240	12	0230640	52	0231010	33	0240220	54
0230250	12	0230650	52	023101A	33	0240230	54
0230260	12	0230660	32	0231020	33, 34	0240240	54
0230270	12	0230670	32	0231030	33	0240250	54
0230280	28	0230680	32, 34	0231050	33	0240260	54
0230290	28	0230690	32	0231060	33, 34	0240270	52
0230300	28	0230700	32	023106A	33, 34	0240280	52
0230310	28	0230710	32	0231070	33, 34	0240290	52
0230320	28	0230720	32, 34	0231080	34	0240300	52
0230330	28	0230730	32	0231100	34	0240310	52
0230340	28	0230740	32	0231110	34	0240320	52
0230350	28	0230750	32	0231120	34	0240330	52
0230360	28	0230760	32	023112A	34	0240340	52
0230370	28	0230770	32	0231130	34	0240350	52
0230380	50	0230780	32	0231140	2	0240360	52
0230390	50	0230790	32	0231150	34	0240370	52
0230400	30	0230800	32	0231160	54	0240380	52
0230410	30	0230810	32	023104A	33	0240390	52
0230420	30	0230820	32	0230030	14	0240400	52
0230430	30	0230830	32	0240010	50	0240410	52
0230440	30	0230840	32	0240020	50	0240420	52
0230450	30	0230850	32	0240030	50	0240430	52
0230460	30	0230860	32	0240040	50	0240440	52
0230470	30	0230870	32	0240050	50	0240450	52
0230480	30	0230880	32	0240060	50	0240460	52
0230490	54	0230890	32	0240070	50	0240470	52
0230500	54	0230900	32	0240080	50	0240480	52
0230510	54	0230910	32	0240090	50	0240490	52
0230520	54	0230920	32	0240100	50	0240500	52
0230530	54	0230930	32	0240110	50	0240510	52
0230540	54	0230940	33	0240120	50	0240520	52

## NUMERICAL INDEX

Part No.	Page No.	Part No.	Page No.	Part No.	Page No.	Part No.	Page No.
0240530	52	0240960	36	0780010	24	0990260	24, 43, 47
0240540	52	0240970	37	0780020	24	0990270	5
0240550	52	0240980	37	0780030	24	0990280	56
0240560	36	0240990	37	0780040	24	0990290	24
0240570	36	0241000	37	0780050	24	0990300	22
0240590	36	0241010	37	0780060	42, 43	0990310	42, 56
0240600	36	0241020	37	0900010	43	0990320	46
0240610	36	0241030	37	0990010	24, 25	0990330	46
0240620	36	0241040	37	0990020	24	0990340	46
0240630	36	0241050	37	0990030	24, 46	0990350	2
0240640	36	0241060	37	0990040	42	0990360	10
0240650	36	0241070	37	0990050	43	0990370	18
0240660	36	0241080	37	0990060	14	0990390	42
0240670	36	0241090	37	0990070	22, 24	0990400	16
0240680	36	0241100	37	0990080	24	0990410	24
0240690	37	0241110	37	0990110	18, 22	0990420	42, 43
0240700	36	0241120	37	0990120	10, 24	0990430	42, 43
0240710	36	0241130	36	0990130	24, 43, 46	0990440	14
0240720	36	0241140	37		47	0990450	2
0240730	36	0241150	37	0990140	2, 5, 8, 10	0990470	4, 20, 42, 43
0240740	37	0241160	37		16, 22, 40	0990480	10
0240750	36	0241170	37		43, 46	0990490	16
0240760	36	0241180	37	0990150	10, 22, 24	0990500	5
0240770	37	0241190	36		42, 46, 47	0990510	22
0240780	37	0241200	37		54, 56	0990520	18
0240790	36, 37	0241210	37	0990160	5	0990530	40
0240800	36, 37	0241220	37	0990170	18	0990540	2, 20
0240810	36	0241230	38	0990180	22	0990550	40
0240820	36	0241240	37	0990190	56	0990560	2
0240840	36	0241250	37	0990200	46	0990570	2
0240850	36	0241260	37	0990210	46	0990580	2
0240860	36	0241270	37	0990220	8, 22, 40, 43	0990590	4
0240880	36	0241280	36	0990230	2, 5, 8, 10	0990600	4, 40
0240890	37	0241290	36		18, 22, 24	0990610	4
0240900	36	0241300	37		40, 43, 46	0990620	4
0240910	36	0241310	37	0990240	10, 22	0990630	4
0240920	36	0241320	38	0990250	10, 14, 18	0990640	4
0240930	36	0400020	56		22, 24, 25	0990650	4, 20
0240940	36	0400030	56		42, 46, 47	0990660	4, 8
0240950	36	0680030	158		54, 56	0990670	4, 8

## NUMERICAL INDEX

Part No.	Page No.	Part No.	Page No.	Part No.	Page No.	Part No.	Page No.
023016A	33	0230550	54	0230950	33	0240130	50
0230170	34	0230560	54	023095A	33	0240140	50
023017A	34	0230570	54	0230960	33	0240150	50
0230180	34	0230580	54	023096A	33	0240160	54
0230190	30	0230590	54	0230970	33	0240170	54
0230200	34	0230600	54	0230980	33, 34	0240180	54
0230210	34	0230610	54	0230990	33	0240190	54
0230220	34	0230620	54	023099A	33	0240200	54
0230230	34	0230630	54	0231000	33	0240210	54
0230240	12	0230640	52	0231010	33	0240220	54
0230250	12	0230650	52	023101A	33	0240230	54
0230260	12	0230660	32	0231020	33, 34	0240240	54
0230270	12	0230670	32	0231030	33	0240250	54
0230280	28	0230680	32, 34	0231050	33	0240260	54
0230290	28	0230690	32	0231060	33, 34	0240270	52
0230300	28	0230700	32	023106A	33, 34	0240280	52
0230310	28	0230710	32	0231070	33, 34	0240290	52
0230320	28	0230720	32, 34	0231080	34	0240300	52
0230330	28	0230730	32	0231100	34	0240310	52
0230340	28	0230740	32	0231110	34	0240320	52
0230350	28	0230750	32	0231120	34	0240330	52
0230360	28	0230760	32	023112A	34	0240340	52
0230370	28	0230770	32	0231130	34	0240350	52
0230380	50	0230780	32	0231140	2	0240360	52
0230390	50	0230790	32	0231150	34	0240370	52
0230400	30	0230800	32	0231160	54	0240380	52
0230410	30	0230810	32	023104A	33	0240390	52
0230420	30	0230820	32	0230030	14	0240400	52
0230430	30	0230830	32	0240010	50	0240410	52
0230440	30	0230840	32	0240020	50	0240420	52
0230450	30	0230850	32	0240030	50	0240430	52
0230460	30	0230860	32	0240040	50	0240440	52
0230470	30	0230870	32	0240050	50	0240450	52
0230480	30	0230880	32	0240060	50	0240460	52
0230490	54	0230890	32	0240070	50	0240470	52
0230500	54	0230900	32	0240080	50	0240480	52
0230510	54	0230910	32	0240090	50	0240490	52
0230520	54	0230920	32	0240100	50	0240500	52
0230530	54	0230930	32	0240110	50	0240510	52
0230540	54	0230940	33	0240120	50	0240520	52

## NUMERICAL INDEX

Part No.	Page No.	Part No.	Page No.	Part No.	Page No.	Part No.	Page No.
0990680	4	1008085	126	2000625	132	2328020	178
0990690	8	1021010	178	2000810	60	2415010	62
0990700	8	1021025	64	2000812	60	2416012	62
0990710	8, 10	1021030	58	2000814	58	2420610	149
0990720	40	1021035	100	2000816	22, 58, 60	2425010	62
0990730	40	1021040	100		64, 132	2810008	122
0990740	4	1021235	68, 100, 156		141, 142	2810808	122
0990750	4	1021260	64	2000820	56, 58, 64	3000051	146
0990760	4	1021270	102, 148		82, 94, 98	3000061	62, 114
0990790	5, 21	1021290	68		100, 108, 110		140, 142, 168
0990800	4	1021295	68		112, 120, 132	3000063	62, 174
0990810	4	1021430	152		178	3000081	56, 58, 60
0990820	4	1021435	165	2000825	62, 64, 72		88, 103, 120
0990830	8	1021640	100, 156		74, 75, 78		122, 132, 136
0990840	4	1021645	155		86, 88, 114		140, 142, 174
0990850	10	1021650	86		122, 136, 178	3000083	62, 92, 94
0990860	20	1021660	165	2000830	62, 82, 92		96, 100
0990870	21	1021670	118	2000830	96, 134		120, 126, 174
0990880	56	1021671	163	2000835	74, 78, 96	3000121	140
0990890	42	1022110	156	2000840	60	3000161	118
0990910	20	1031280	161, 162	20001020	154	3000162	155
0990920	25	1031290	162	20001645	155	3001083	179
0990930	21	1121025	174	2031016	60	3001123	123
0990940	21	1121030	174	2031020	60, 82, 86	3020100	64
0990950	22	1121665	102		120	3020101	62, 64, 84
0990960	43	1121680	152	2031022	122		100, 112, 114
0990970	43	1131025	182	2031025	74, 116		174
0990980	47	1131032	182		114, 144	3020103	126, 174
0990900	21	1136050	182	2031030	64, 108	3020121	102, 134
1000625	136, 168	1320100	100		112, 122	3020123	106
1000825	168	1320820	88, 136	2031040	116, 122	3020161	86, 102
1000840	164	1321020	100	2031228	161		110, 118
1000845	136	1321632	86	2031230	120, 134	3020163	86, 165
1000885	126, 164	1328020	88, 136	2031232	106	3021122	162
1001670	118	2000060	56	2031265	158	3021123	162
1006020	136, 137	2000080	56	2031630	86	3021161	163
1006025	136	2000610	56, 58, 60	2116012	144	3030101	142, 168
1008020	182		149	2118016	140, 142	3030121	100
1008025	182	2000612	62, 64, 106	2216022	114	3031161	152
1008045	136	2000616	96	2218016	92, 179	3100016	155

## NUMERICAL INDEX

Part No.	Page No.	Part No.	Page No.	Part No.	Page No.	Part No.	Page No.
3100110	103, 110		92, 94, 98, 100	5240025	155	7400022	112, 116
3100120	106		102, 108, 110	5240035	134	7400024	78
3100121	108		112, 114, 120	5304025	62	7400025	72, 78
3100160	155		122, 126, 132	5305028	96	7400030	74, 78, 114
3270350	86		134, 136, 140	5305032	112	7400035	88
3271170	90		141, 142, 164	5324025	62	7400042	90, 178
3271200	75		168, 178, 182	5401014	122, 178	7400048	74
3271250	75, 84	3600102	58, 60, 64	5502512	142	7400050	182
3280170	90		84, 94, 100	5506028	92, 94, 96	7410026	78
3280200	75		108, 114, 116		174, 179	7410042	108
3280250	75, 84		120, 122, 142	5506032	92	7410047	92
3280350	86		144, 154, 174	5506045	155	7410052	72, 134
3500062	62		178, 182	5601058	102	7410072	90
3500080	100, 114	3600122	64, 68, 100	5717028	110	7430040	178
3500100	114		102, 106, 120	5717050	182	8000008	92, 178
3500120	158		123, 134, 140	5717032	108	8000010	92, 94
3500612	62		148, 156, 158	5724010	126	8300000	160
3500615	60, 140		161, 162	5724100	174	8300390	84
	142, 144	3600123	168	5727025	102	8310015	92
3500620	132	3600142	152, 165	5727030	114	8310101	178
3500815	56, 178	3600143	156	5727032	182	8310150	92, 94, 160
3500820	58, 100	3600162	86, 100	6000100	122	8310160	92, 94
	114, 120, 132		102, 110, 118	6500006	72, 102, 174		96, 160, 179
3501025	120, 126		155, 156, 162	6510006	98, 112, 116	8310180	116, 137
	142	3601102	14	6513003	114		160, 168
3501105	126	3601602	182	6900083	92, 94, 126	8310220	112, 136
3501225	140	3730800	178		174, 179		160
3501230	158	45TNK84	72	7040628	106	8310221	172
3600008	132	4825050	100	7303016	112	8310240	136, 160
3600052	62	5210100	114	7304704	108		168
3600062	56, 58, 60	5210160	152	7305204	110	8310300	102, 160
	62, 64, 96	5212020	56	7306204	179		168, 178
	106, 114, 136	5220015	62, 126	7311010	102	8310340	126, 160
	137, 140, 142	5220020	112	7312504	78	8310350	90, 160
	144, 149, 168	5225015	174	7313510	88	8310390	84, 160
3600081	60	5225020	103, 110	7400012	114	8310400	134, 160
3600082	56, 58, 60	5225025	114	7400014	98	8310490	102, 160
	64, 65, 72	5230020	106, 108	7400016	94		168
	74, 75, 78		168	7400019	92	8310600	134, 160
	79, 86, 88	5230025	102	7400020	78, 108	8315022	137

## NUMERICAL INDEX

Part No.	Page No.	Part No.	Page No.	Part No.	Page No.	Part No.	Page No.
8350220	136, 137	CA00150	58	CA1013A	159	CA17530	94
	160, 168	CA00160	58	CA11010	72	CA17537	94
8350250	92, 160	CA00170	58	CA11030	70	CA20000	100
8350300	136, 160	CA00180	58	CA11040	70	CA2000K	100
	168	CA00200	58	CA11050	70	CA20080	100
8310240	136, 160	CA0030K	149	CA11060	70	CA20090	100
AE35420	134, 152	CA01000	60	CA11070	70	CA20510	102, 168
	165	CA01007	60	CA11080	70	CA21005	108
AE3542A	134, 154	CA01010	60	CA11090	70	CA21010	108
B000265	155	CA01017	60	CA11100	70	CA21020	108
B000304	79	CA01080	60	CA11110	70	CA21030	108
B030204	108	CA01090	60	CA11120	70	CA21040	108
B0N0304	79	CA01100	60	CA11130	70	CA21300	110
B030206	106	CA01110	60	CA11140	70	CA21510	112
B032210	86	CA01130	60	CA11150	70	CA2300L	100
B051206	102	CA01140	60	CA11160	70	CA23030	100
B060060	110	CA01150	60	CA118A0	58	CA24000	161
B060304	79	CA01160	60	CA12010	74	CA2400A	161
B062050	74, 78	CA01170	60	CA13010	74	CA24010	122
	90, 110	CA01210	60	CA1301A	74	CA24041	123
B062054	72	CA02010	62	CA13020	74	CA24100	126
B062055	78	CA02020	62	CA13510	78	CA24120	132
B062060	178, 182	CA02060	62	CA13520	78	CA24130	132
B062070	90	CA02080	62	CA13530	78	CA24140	132
B062073	88	CA02087	62	CA14010	78	CA24510	136
B062075	88	CA02088	62	CA15510	86	CA24520	136
B062100	182	CA02150	62	CA1551A	86	CA24530	136
B062105	182	CA02170	62	CA16010	88	CA24540	136
B062130	82	CA02180	62	CA16020	88	CA24570	136
B063040	178	CA02190	62	CA16030	88	CA24580	136
B063045	78	CA02200	62	CA16040	88, 90	CA24610	136
B063050	74, 88	CA02210	62	CA16050	88	CA24617	136
B063060	182	CA02300	62	CA16250	90	CA24631	136, 137
B063085	84	CA03010	56	CA16520	90	CA24650	136
B562073	88	CA03050	56	CA16530	90	CA24657	136
CA00100	58	CA03100	56	CA17010	92	CA24680	137
CA00107	58	CA03210	56	CA17020	92, 159	CA24690	137
CA00120	58	CA10010	64	CA17030	92	CA24710	137
CA00130	58	CA10030	64	CA17510	94	CA24800	123
CA00140	58	CA10110	64	CA17520	94	CA25000	140



## NUMERICAL INDEX

Part No.	Page No.	Part No.	Page No.	Part No.	Page No.	Part No.	Page No.
CA2500F	142	CA2825P	148	CA29030	158	CA41010	164
CA25010	140	CA28251	148	CA29040	158	CA41500	165
CA2501K	142	CA28252	148	CA29070	158	CA4150A	165
CA25060	140, 142	CA28253	148	CA29010	158	CA41550	165
CA25080	140	CA2827A	148	CA30011	158	CA41560	165
CA2508K	142	CA28283	146	CA3001A	118	CA41580	152, 165
CA25090	142	CA28284	146	CA3001B	118	CA45000	178
CA25091	142	CA28285	146	CA3001F	118	CA45010	178
CA25100	140, 142	CA28286	146	CA3001G	118	CA4700A	164
CA25160	140, 142	CA28287	146	CA3001H	118	CA48500	174
CA25170	140, 142	CA2828K	144	CA3001K	118	CA48510	174, 176
CA26507	152	CA2828L	144	CA3005A	106	CA48520	174
CA26510	152	CA2828O	144	CA3005F	106	CA48550	174
CA2651K	152	CA2828Q	146	CA3005G	106	CA48570	174
CA26520	152	CA2828R	144	CA30100	154	CA4860A	174
CA26527	152	CA2828U	146	CA3010A	118	CA48610	174
CA26570	152, 165	CA28300	144	CA3010F	118	CA48620	174
CA27010	100	CA2830A	144	CA30150	106	CA4865A	174
CA27030	140, 142	CA28310	144	CA3015A	106	CA48650	174
CA27040	140, 142	CA28407	148	CA3016F	106	CA48660	174
CA27180	140, 142	CA28410	148	CA3016G	106	CA48670	174
CA27210	120	CA2841Q	148	CA31000	154	CA48680	174
CA27220	120	CA28417	148	CA31100	154	CA4870A	174
CA27240	132	CA2841K	148	CA31110	155	CA48710	174
CA28010	148	CA2841P	148	CA31130	155	CA48720	174
CA28070	148	CA28430	149	CA31137	155	CA48730	174
CA28080	148	CA28440	149	CA31147	154	CA48740	174
CA28090	148	CA28611	149	CA31177	156	CA48750	174
CA28110	149	CA28614	149	CA31190	156	CA48760	174
CA28200	148	CA28615	149	CA31500	90	CA4877A	174
CA28210	148	CA2861A	149	CA31507	90	CA48770	174
CA28211	148, 149	CA28620	149	CA40000	178	CA48810	174
CA28212	148, 149	CA28650	149	CA40010	178	CA48910	174
CA2821A	148	CA28660	149	CA40020	178	CA48930	174
CA28220	148	CA28710	144	CA40030	178	CA60000	168
CA2822A	148	CA28730	145	CA40040	178	CA60010	168, 170
CA2825A	148	CA28737	145	CA40050	178	CA60020	170
CA2825B	148	CA28750	144	CA40060	178	CA60030	170
CA2825K	148	CA28760	145	CA40070	178	CA60040	170
CA28250	148	CA29020	158	CA40080	179	CA60050	170

## NUMERICAL INDEX

Part No.	Page No.	Part No.	Page No.	Part No.	Page No.	Part No.	Page No.
CA60070	170	CA60740	170	CA61300	168	CB13071	74
CA60080	170	CA60750	170	CA61310	168	CB13072	74
CA60090	170	CA60760	170	CA61330	168	CB13080	74
CA60100	170	CA60770	170	CA61350	168	CB13090	75
CA60110	170	CA60780	170	CA61420	168	CB13110	75
CA60120	170	CA60790	170	CA61450	168	CB13120	75, 159
CA60130	170	CA60800	170	CA61460	168	CB1351K	78
CA60170	170	CA60810	170	CA61470	168	CB1352K	78
CA60180	170	CA60820	170	CA61480	168	CB13530	78
CA60210	170	CA60830	170	CA61490	168	CB14010	78
CA60250	170	CA60840	170	CA61517	168	CB14020	78
CA60290	170	CA60850	170	CA61530	168	CB14030	78
CA60310	170	CA60860	170	CA61540	168	CB14041	79
CA60340	170	CA60870	170	CA61550	168	CB14042	79
CA60350	170	CA60900	168	CA61610	168	CB14060	79
CA60360	170	CA60910	168	CA61630	168	CB1450K	82
CA60370	170	CA60950	168	CA61710	168	CB1451K	82
CA60380	170	CA60970	168	CA61720	168	CB1452K	82
CA60390	170	CA61000	168, 172	CA61730	168	CB14530	82
CA60410	170	CA61010	172	CA61740	168	CB1454K	82
CA60470	170	CA61020	172	CA61800	168	CB14560	82
CA60480	170	CA61030	172	CA6181R	168	CB14570	82
CA60490	170	CA61040	172	CA6183L	168	CB1457V	82
CA60510	170	CA61050	172	CA6185R	168	CB14581	82
CA60520	170	CA61060	172	CA6186L	168	CB14582	82
CA60530	170	CA61070	172	CA61870	168	CB14583	82
CA60540	170	CA61080	172	CA61880	168	CB14590	82
CA60550	170	CA61090	172	CA62010	168	CB14610	82
CA60610	170	CA61110	172	CB10120	64	CB14620	82
CA60620	170	CA61120	172	CB10130	64, 159	CB14630	82
CA60630	170	CA61130	172		178	CB14640	84
CA60640	170	CA61140	172	CB10170	68	CB15510	86
CA60650	170	CA61150	172	CB10210	68	CB16040	88
CA60660	170	CA61160	172	CB12010	74	CB16061	88
CA60670	170	CA61170	172	CB1301A	74	CB16062	88
CA60680	170	CA61180	172	CB1302A	74	CB16063	88
CA60690	170	CA61190	172	CB1302K	74	CB16070	88
CA60710	170	CA61210	172	CB1303K	74	CB16080	88, 159
CA60720	170	CA61220	172	CB13040	74	CB16520	90
CA60730	170	CA61230	172	CB13060	74	CB20511	102

## NUMERICAL INDEX

Part No.	Page No.	Part No.	Page No.	Part No.	Page No.	Part No.	Page No.
CB20512	102	CD1105K	72	CD14720	84, 159	CD17137	64, 159
CB2051M	102	CD11230	70	CD14721	84	CD17140	64
CB2051S	102	CD12010	74	CD14730	84	CD17150	64, 159
CB26000	158	CD12030	74	CD14740	84	CD17161	92
CB26007	158	CD12040	74	CD14760	84	CD1717K	92
CB58010	178	CD12050	74, 159	CD1551K	86	CD17180	92
CB58040	178	CD12060	74	CD15530	86	CD17190	92
CB58060	178	CD12517	78	CD15540	86	CD17207	92
CB58070	178	CD12520	78	CD15550	86	CD17210	65
CB58080	178	CD12530	78	CD15560	86	CD17220	92
CB58110	178	CD12540	78	CD15570	86	CD17230	92
CB58120	178	CD12550	78	CD15580	86, 159	CD17240	92
CC24077	126, 174	CD12560	78	CD15591	74, 86	CD1725F	92
CC24030	134	CD13040	74	CD15592	74, 86	CD17280	178
CC2409A	126	CD13077	74	CD15593	74, 86	CD17290	178
CC24110	126	CD13100	74	CD15594	74, 86	CD17590	94
CC24120	126	CD13101	74	CD1561K	86	CD17610	94, 159
CC24167	132	CD13117	74	CD15620	86	CD1764K	94
CC24207	132	CD13121	75	CD15630	86	CD17660	94
CC24210	132	CD13122	75	CD16519	90	CD1801B	96
CC24220	126, 128	CD13123	75	CD1654M	90	CD1801K	96
CC24340	137, 168	CD13124	75	CD1654S	90	CD18020	96
CC24417	126	CD13550	78	CD1654X	90	CD18030	96
CD00140	58	CD13560	78	CD1654Y	90	CD18047	96
CD00160	58	CD13570	78, 159	CD16570	90	CD18050	96, 159
CD01100	60	CD14060	79	CD16597	90	CD1806K	96
CD01110	60	CD1450Z	82	CD16600	90	CD1851K	98
CD01130	60	CD14530	82	CD17030	92	CD18520	98
CD10030	64	CD14531	64, 82, 84	CD17040	92	CD18530	98
CD10050	64, 68, 100	CD14550	82	CD17070	174	CD20140	122
CD10120	64	CD14571	82	CD17057	92	CD20510	102
CD10140	64, 159	CD14572	82	CD17067	92	CD20570	102
CD10150	64	CD14640	82	CD17070	92, 94	CD20580	102
CD10180	68, 159	CD14650	82	CD17080	92	CD20590	103
CD10181	68	CD14660	82	CD1709L	92	CD20600	103
CD10190	68	CD14670	82	CD1709R	92	CD20660	102
CD10220	68, 159	CD14687	82	CD17100	92, 160	CD20671	102
CD11020	72	CD14690	82	CD17110	92	CD20672	102
CD11030	72	CD14700	82	CD17120	64	CD2067L	102
CD11047	72	CD14710	84	CD17130	64	CD2067R	102

## NUMERICAL INDEX

Part No.	Page No.	Part No.	Page No.	Part No.	Page No.	Part No.	Page No.
CD20690	102	CD21170	108	CD2300R	100	CD26050	158
CD20710	102	CD2117U	108	CD23060	100	CD2655A	152
CD20720	102	CD21201	108	CD23507	120	CD26560	152
CD20730	106	CD21202	108	CD23520	120	CD27397	140, 142
CD20740	106	CD21510	112	CD23530	120	CD27410	140
CD20750	106	CD2151A	112	CD23540	120	CD28031	148
CD20760	106, 159	CD21520	112	CD23550	120	CD2827A	148
CD20777	106	CD21530	112	CD23560	120	CD2827K	148
CD20780	106	CD21540	112	CD23570	120	CD2827O	148
CD20810	102	CD2155K	112	CD24020	122, 159	CD2827P	148
CD20831	102	CD21577	112	CD24030	122, 134	CD28286	144
CD20832	102	CD21580	112	CD24040	122, 159	CD2828K	144
CD2083L	102	CD21597	112	CD24050	134	CD2828O	144
CD2083R	102	CD21600	112	CD24060	134	CD2828P	144
CD20860	102	CD2201B	114	CD24070	134	CD2828Q	144
CD20871	103	CD2201F	114	CD24080	134	CD2828U	144
CD20872	103	CD2202L	114	CD24110	134	CD2828V	144
CD20873	103, 110	CD2202R	114	CD24120	134	CD2828W	144
CD20874	103, 110	CD22030	114	CD24130	134	CD2828X	144
CD2087L	103, 110	CD22040	114	CD24140	122	CD2828Y	144
CD2087M	103, 110	CD22080	114	CD2414A	122	CD2828Z	144
CD2087R	103, 110	CD22140	114	CD24150	122	CD28612	149
CD2087S	103, 110	CD22150	114	CD24160	122	CD28613	149
CD20881	103	CD22190	114	CD24170	122	CD28616	149
CD20882	103	CD22200	114	CD24207	134	CD28650	144
CD2088L	103, 110	CD2221A	114	CD24210	134	CD2866K	145
CD2088R	103, 110	CD2222A	114	CD24220	134, 159	CD28667	144, 149
		CD2230A	116	CD24230	134	CD29020	158
CD21010	108	CD2232A	116	CD24240	134	CD29030	158
CD21020	110	CD22330	116	CD2424P	134	CD29050	158
CD21030	110, 159	CD22340	116	CD24280	134	CD29070	158
CD21040	110	CD22350	116, 159	CD24417	126	CD29080	158
CD21050	110, 159	CD22360	116	CD24428	126	CD29100	158
CD21070	108, 159	CD22370	116	CD24440	136	CD29110	158
CD21080	110	CD22380	116	CD24900	134	CD50008	154
CD21090	110	CD2239K	116	CD25217	140, 142	CD5000A	154
CD21100	110	CD2251M	120	CD25237	140	CD50010	154
CD21110	108	CD2251S	120	CD25247	140	CD5004A	154
CD21150	108, 159	CD23001	100	CD25360	140, 142	CD5004B	154
CD21160	108	CD23002	100	CD25380	140	CD50080	154

## NUMERICAL INDEX

Part No.	Page No.	Part No.	Page No.	Part No.	Page No.	Part No.	Page No.
CD5010A	154	CD55500	163	CD95160	140, 142	GA10047	64, 68, 122
CD5010B	154	CD5550A	163	CD95170	140, 142		179
CD5014A	154	CD56500	182	CD95240	123	GA10050	182
CD5016A	154	CD56510	182	CE02050	62	GA10070	64, 68, 122
CD5016B	154	CD56520	182	CE10040	64		179
CD50170	154	CD56521	182	CE13090	75	GD21550	62
CD5017A	154	CD56530	182	CE16550	178	GE10100	64, 122
CD50180	154	CD56540	182	CE16560	178		182
CD5020A	154	CD56541	182	CE16590	178	GH11040	108
CD5021A	154	CD56542	182	CE25180	140, 142	GH11330	112
CD5021B	154	CD56550	182	CG28950	144	GH32070	134
CD50247	154	CD56560	182	DF10181	182	GJ49020	148
CD50250	154	CD56570	182	DF13570	123	GJ49430	145
CD50270	155	CD56580	182	DF21570	114, 126	H304409	182
CD5028A	155	CD56590	182	DB23567	64	K202620	78
CD5030A	154	CD56600	182	DB25210	123	K263422	90
CD5032A	155	CD56610	182	DB25220	123	K303513	74
CD50340	155	CD56620	182	DB25230	123	K354230	88
CD5034L	155	CD56640	182	DB25250	123	L381500	58
CD5034P	155	CD56641	182	DC21570	126	L381510	58
CD5034R	155	CD56642	182	DE16610	106	LG22850	114
CD50357	155	CD56650	182	DE23510	108	LG2285Z	114
CD5035A	155	CD56817	182	DE23511	108	LJ11160	122
CD5039A	155	CD56827	182	DE23520	108	M507215	84
CD5040A	155	CD57011	144	DE25190	140, 142	NW15240	140
CD5040B	155	CD5701K	144	EB10037	64, 122	PE15240	142
CD5042A	155	CD57012	144		182	QB12260	122
CD50440	155	CD57013	144	EB14070	178	S36230A	58
CD5045A	156	CD57014	144	EB15557	178	S500123	58
CD50507	156	CD57015	144	EG12060	75	T030508	110
CD50530	156	CD57015	144	EJ30410	108	T040628	106, 168
CD50537	156	CD57017	144	EL10380	65	T042559	178
CD50571	154	CD57018	144	EL10390	65	T050659	134
CD50591	156	CD57019	144	EL18070	140	T055709	90
CD54540	161	CD57050	144	EQ12630	122	T254511	74
CD55007	162	CD57150	178	EQ13050	100, 103	T506410	182
CD5500A	162	CD57170	178		110	T507212	86
CD5510A	162	CD57187	178	EQ40719	178	V050726	86
CD55107	162	CD57207	178	ET16080	110	V150101	176
CD55107	162	CD57227	178	FB44130	142	V150181	176

## NUMERICAL INDEX

Part No.	Page No.	Part No.	Page No.	Part No.	Page No.	Part No.	Page No.
VA00051	128, 176	VC00217	176				
VA00361	176	VD00101	128				
VB00103	128	VD00104	176				
VB00113	176	VD00201	176				
VB00201	128	VF00015	122				
VB00503	128, 176	VF20101	122				
VB00504	128, 176	VF20201	122				
VB00803	128	VF20301	122				
VB00807	176	VF20401	122				
VB01102	128	VF30401	122				
VB01104	176	VG08252	128				
VB01204	128, 176	VH08252	176				
VB01205	128, 176	VH08362	128, 176				
VB01402	128, 176	VH08632	128, 176				
VB02101	128	VH08802	128, 176				
VB02102	176	VI50181	128				
VB02201	128	VJ08202	128, 176				
VB02207	128	VK05062	128, 176				
VB02209	176	VL00400	176				
VB02210	176	VL00900	122, 128				
VB02301	128, 176		176				
VB02302	128, 176	VL01090	128, 176				
VB02401	128	VL01200	128, 176				
VB02402	128	VL01500	128, 176				
VB02403	176	VL01600	122, 128				
VB02404	176		176				
VB02405	176	VL02200	128, 176				
VB02501	128	VL06000	122				
VB02502	176	VM09520	128, 176				
VB02503	176	VN01111	129, 176				
VB02601	128, 176	VQ10062	176				
VB02605	176	VR06362	176				
VB02703	128, 176	YC21570	114				
VB03007	176						
VB03303	176						
VB04701	176						
VC00201	129						
VC00202	128						
VC00215	176						
VC00216	176						

